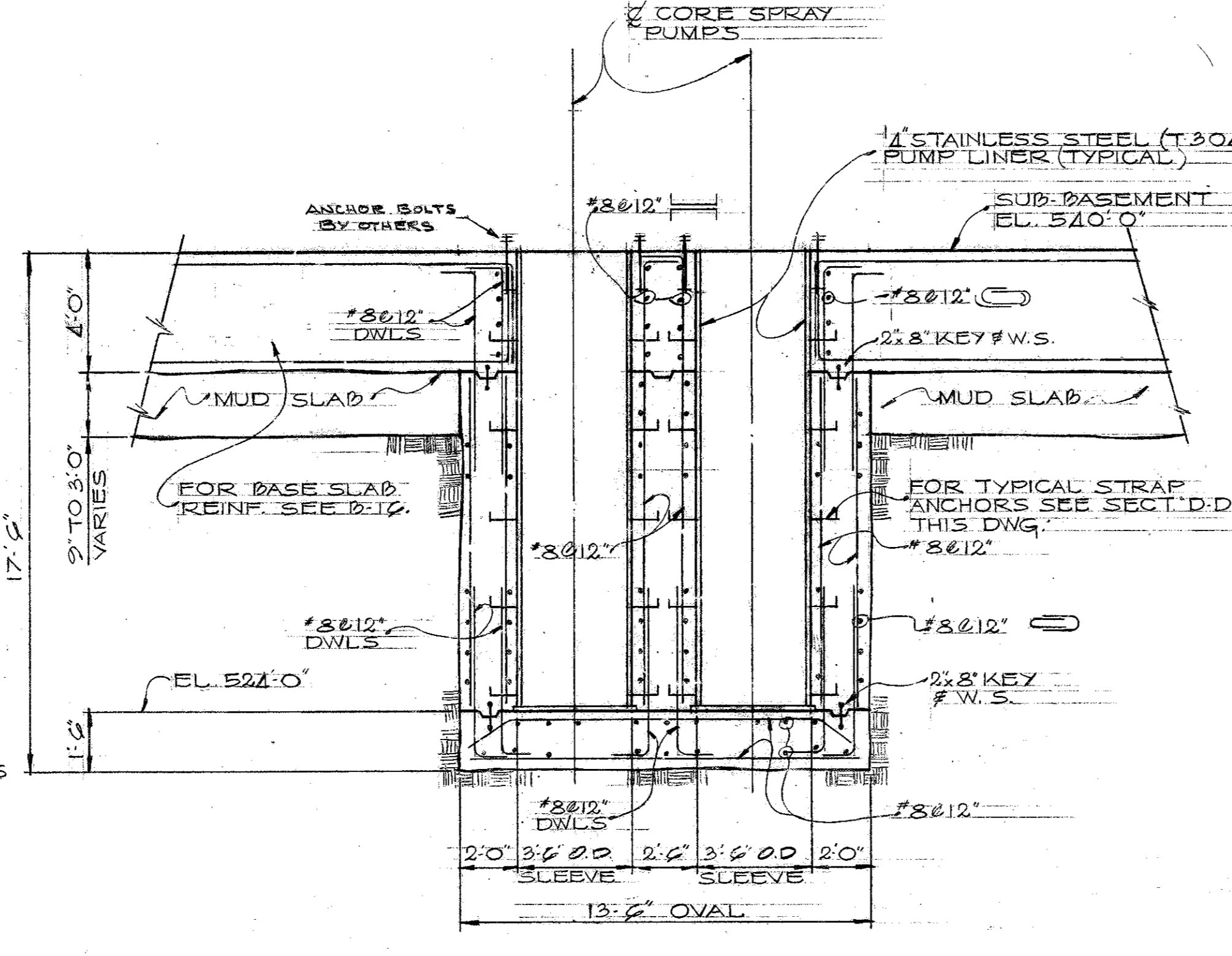
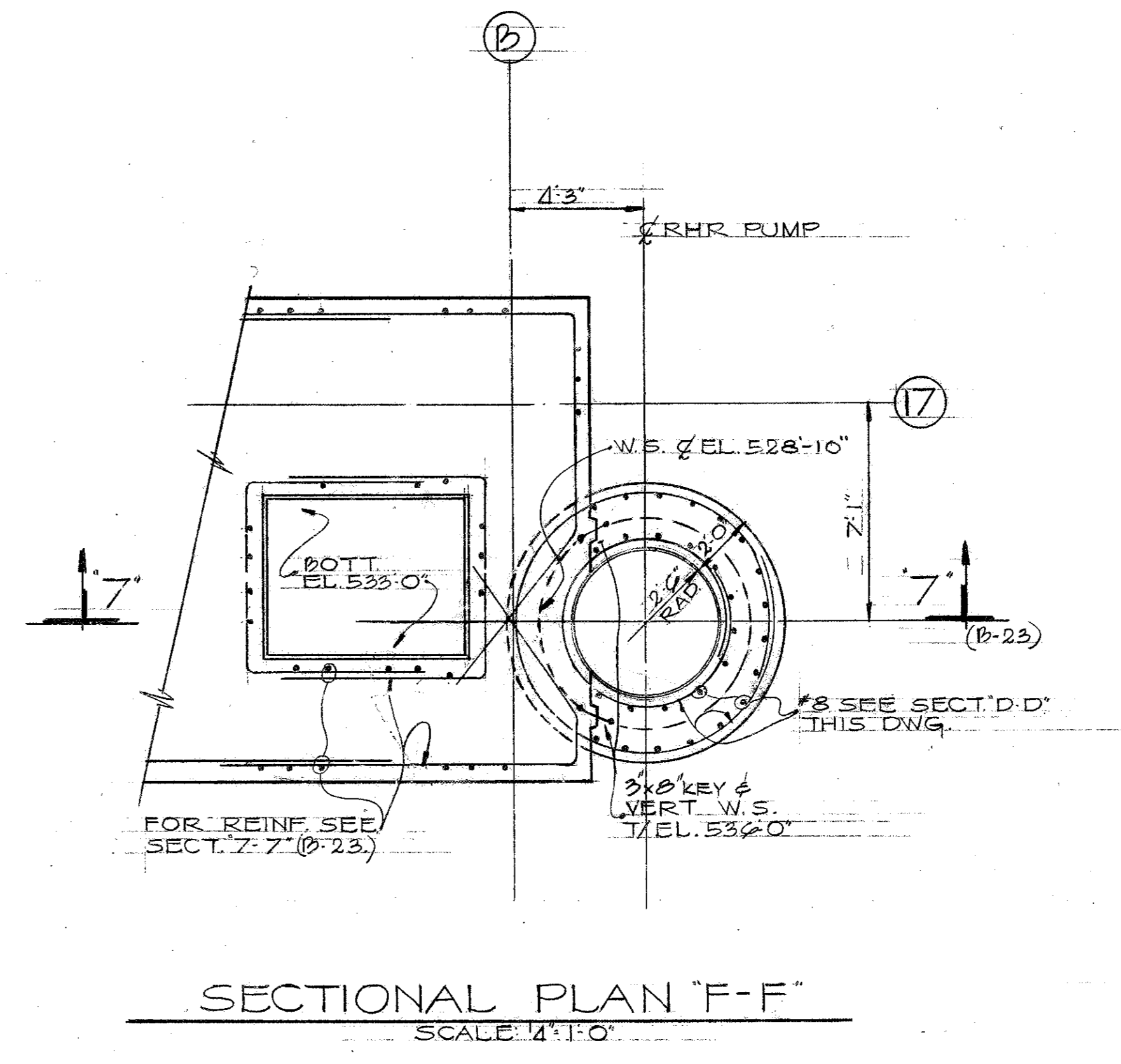


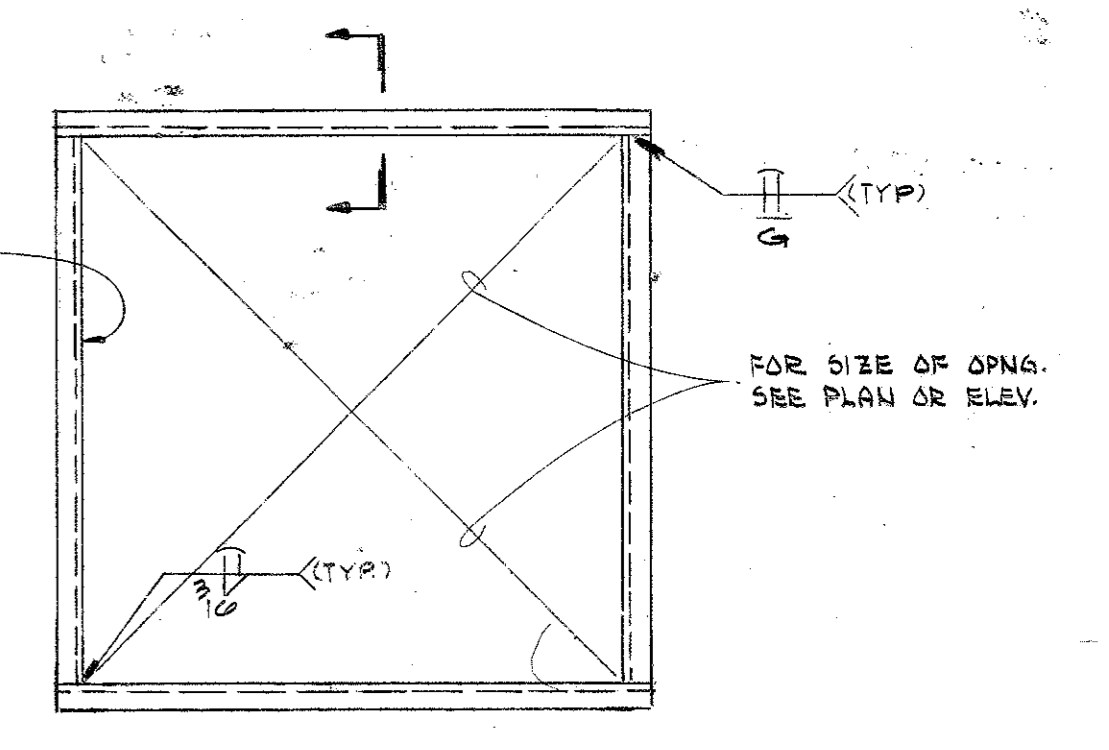
SECTION D-D (D-12 & D-14)
SCALE: 1/4\"/>



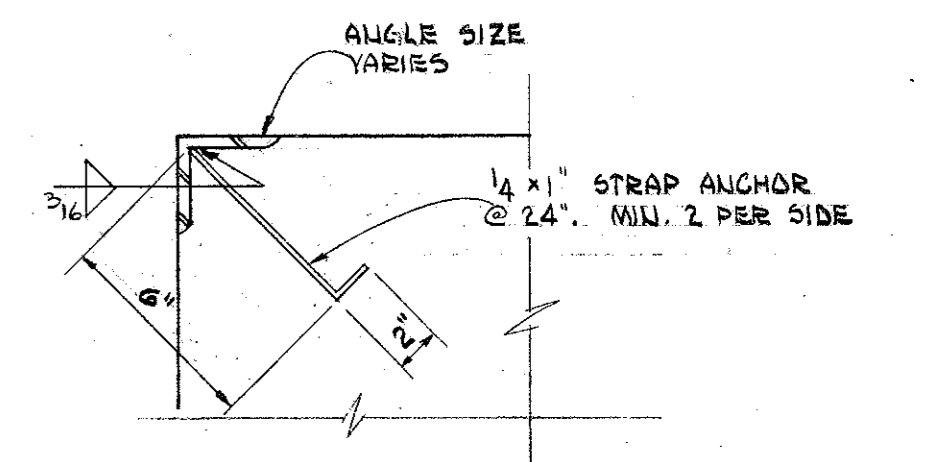
SECTION E-E (D-13 & D-15)
SCALE: 1/4\"/>



SECTIONAL PLAN "F-F"
SCALE: 1/4\"/>

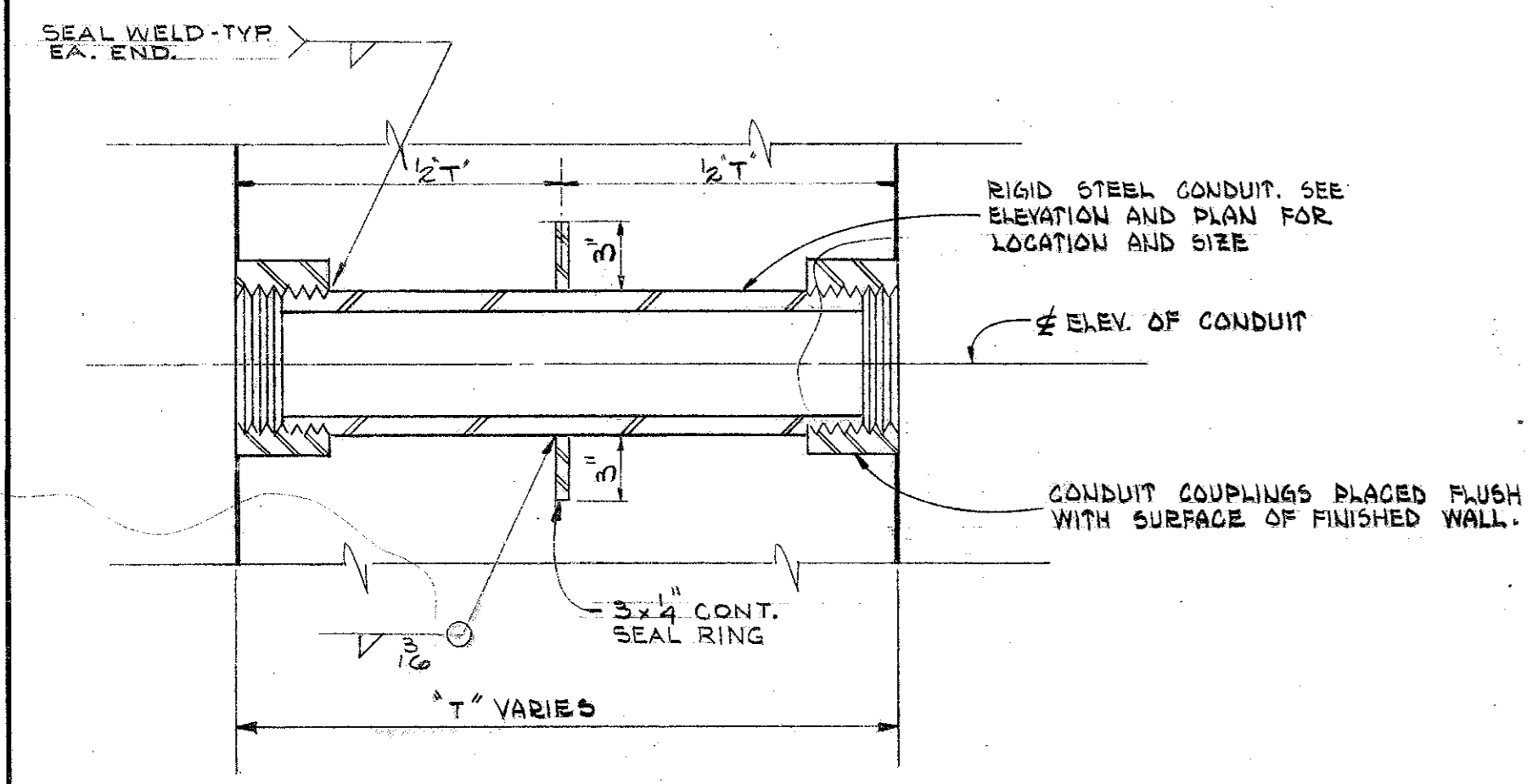


ELEVATION

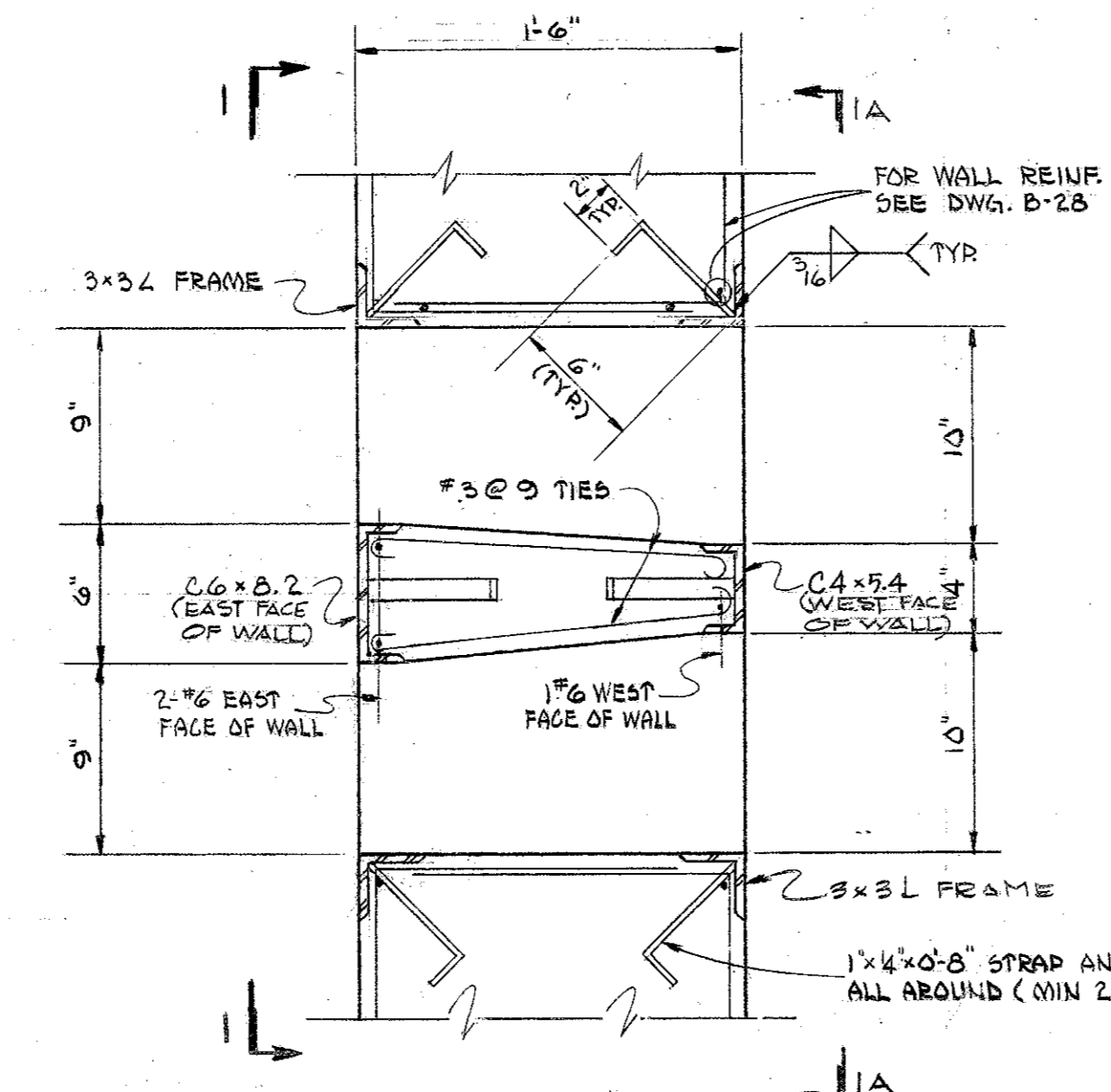


SECTION

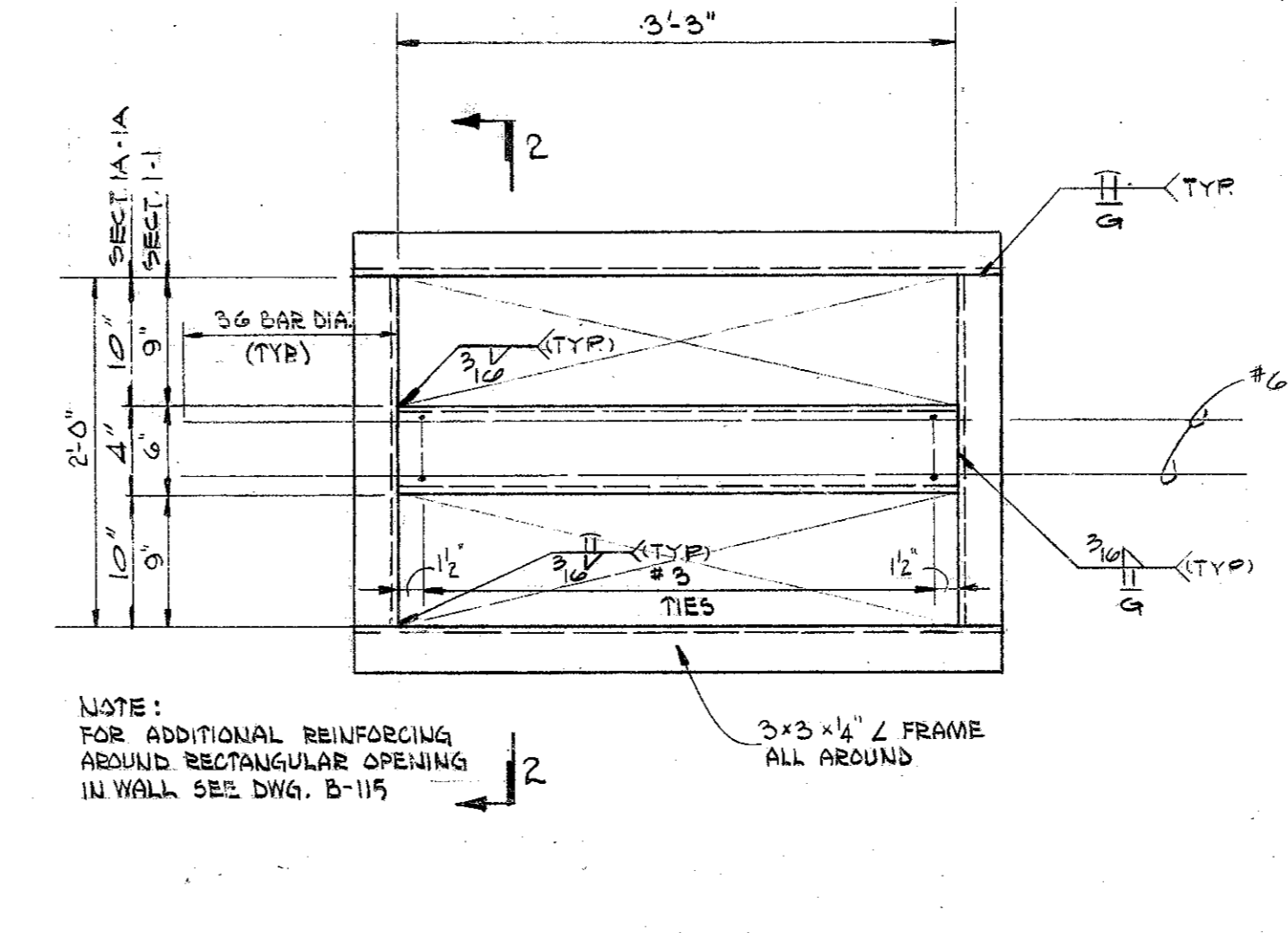
DETAIL-A
NO SCALE



DETAIL-B
NO SCALE

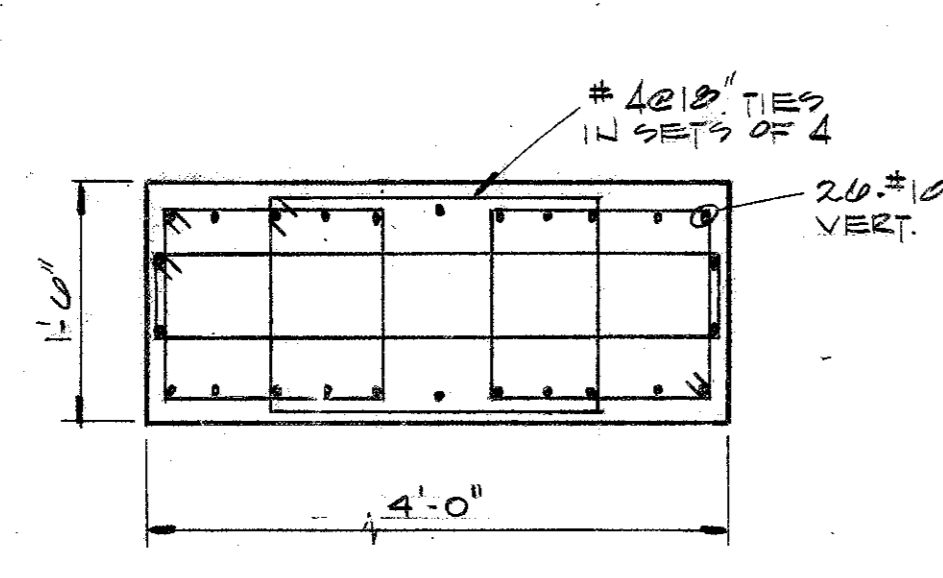


SECTION 2-2
SCALE: 1/4\"/>

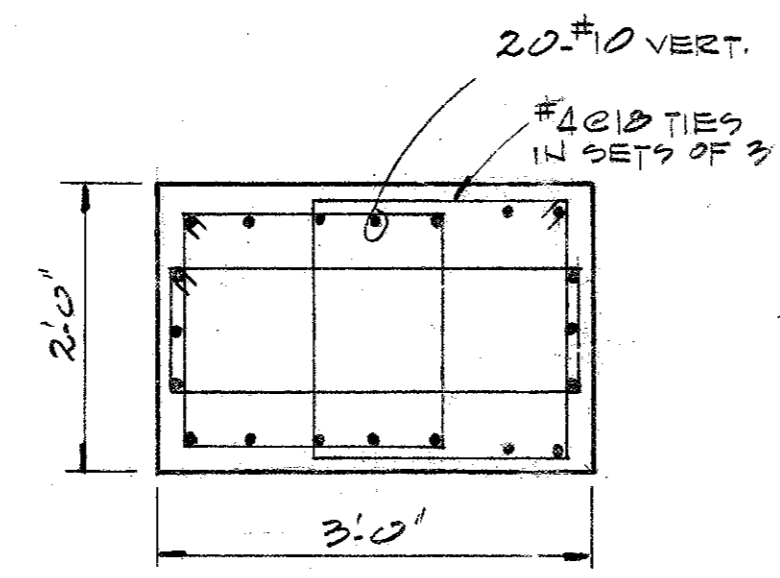


SECTION 1A-1A
SECTION 1-1
SCALE: 1/4\"/>

DETAIL-C



DETAIL-E (D-13 & D-15)



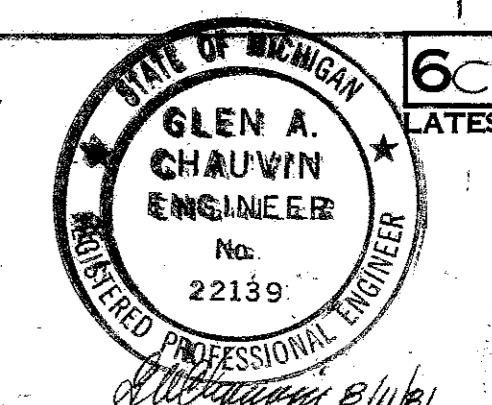
DETAIL-F (D-13)

NOTES

- FOR GENERAL NOTES SEE DWG. D-12.

REFERENCE DRAWINGS

ARMS-INFORMATION SYSTEMS	
DTC _____	DSN _____
PAGE _____	REV _____
APPROVAL	
PIS _____	RECIPIENT _____
APPROVAL REQ'D: YES _____	NO _____



6C721-2308
LATEST REVISION H

NUCLEAR SAFETY RELATED

ALL PREVIOUS REVISIONS TO THIS WORKMAN HAVE BEEN APPROVED BY EDISON AND ARE IN FILE ON MICROFILM IN DOCUMENT CONTROL

DOCUMENT CONTROL NO. T 21-00-0

NO.	PROJ. DES.	PROJ. ENG.	PROJ. DIR.	NO.	PROJ. DES.	PROJ. ENG.	PROJ. DIR.	NO.	PROJ. DES.	PROJ. ENG.	PROJ. DIR.	NO.	PROJ. DES.	PROJ. ENG.	PROJ. DIR.	NO.	PROJ. DES.	PROJ. ENG.	PROJ. DIR.	NO.	PROJ. DES.	PROJ. ENG.	PROJ. DIR.	NO.	PROJ. DES.	PROJ. ENG.	PROJ. DIR.	NO.	PROJ. DES.	PROJ. ENG.	PROJ. DIR.	NO.	PROJ. DES.	PROJ. ENG.	PROJ. DIR.	NO.	PROJ. DES.	PROJ. ENG.	PROJ. DIR.																																																																																																																																																																																																																																																																																																																																																																								
1				2				3				4				5				6				7				8				9				10				11				12				13				14				15				16				17				18				19				20				21				22				23				24				25				26				27				28				29				30				31				32				33				34				35				36				37				38				39				40				41				42				43				44				45				46				47				48				49				50				51				52				53				54				55				56				57				58				59				60				61				62				63				64				65				66				67				68				69				70				71				72				73				74				75				76				77				78				79				80				81				82				83				84				85				86				87				88				89				90				91				92				93				94				95				96				97				98				99				100			

FOR ERECTION ONLY SEE DRWG. D-12 & D-13

APPROVED: *[Signature]* 1-27-71

DATE: 1-27-71

PROJECT: REACTOR # AUXILIARY BLDG. FOUNDATION

UNIT 2

LOCATION: ENRICO FERRI ATOMIC P.P.

THE DETROIT EDISON COMPANY
ENGINEERING DESIGN AND SERVICES DEPARTMENT

DRAWING NUMBER: 6C721-2308

SCALE: AS NOTED

USE DIMENSIONS UNLESS OTHERWISE SPECIFIED

DATE: 1-27-71

PROJECT ENGINEER: [Name]

PROJECT DIRECTOR: [Name]

CHIEF DESIGN ENGINEER: [Name]

399