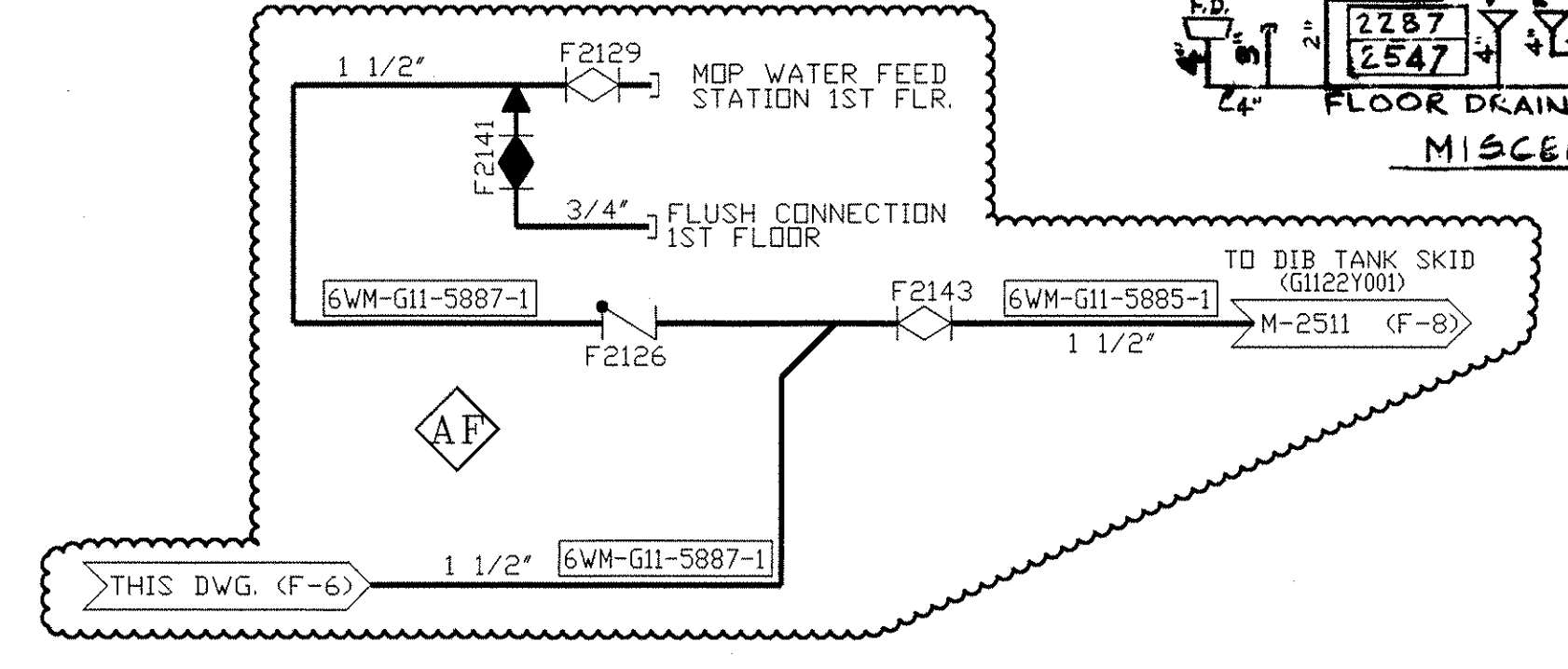


SEE DWG. M-2031 FOR NOTES AND REFERENCES
 6M721-2215 LATEST REVISION AF
 FOR SYSTEM FUNCTIONAL OPERATING SKETCH SEE DWG. M-5710-6

NON-NUCLEAR SAFETY RELATED
 THIS IS A MICROSTATION PRODUCED DRAWING. CHANGES OR REVISIONS MUST BE BROUGHT TO THE ATTENTION OF THE PLANT ENGINEERING DESIGN GROUP TO ENSURE THAT CONFIGURATION CONTROL IS MAINTAINED.



DCD'S INCORPORATED: EIP-32645.B006, REV. 9	A PORTION OF THIS DRAWING IS AFFECTED BY THE FOLLOWING: TC CHANGE DOCUMENT	PREPARED BY: DATE:
	OTHER REVISIONS:	CHECKED BY: DATE:
PREPARED BY: DATE:	CHECKED BY: DATE:	APPROVED BY: DATE:
APPROVED BY: DATE:	OTHER APPROVALS: DATE:	INC. CODE: TITLE:

INC. CODE: U	Detroit Edison Fermi 2
TITLE: CHEMICAL WASTE SYSTEM DIAGRAM RADWASTE SYSTEM	APPURTENANCE CARD TITLE: CHEM WASTE SYS DIAG RADW SYS
PLANT IDENTIFICATION SYSTEM NUMBER: G1100	NUC. OPG. FILE NO.: 8001
DOCUMENT TYPE CODE: DDDMEC	DATE ISSUED TO IS: 9-15-08
DRAWING NUMBER: 6M721-2215	REV: AF