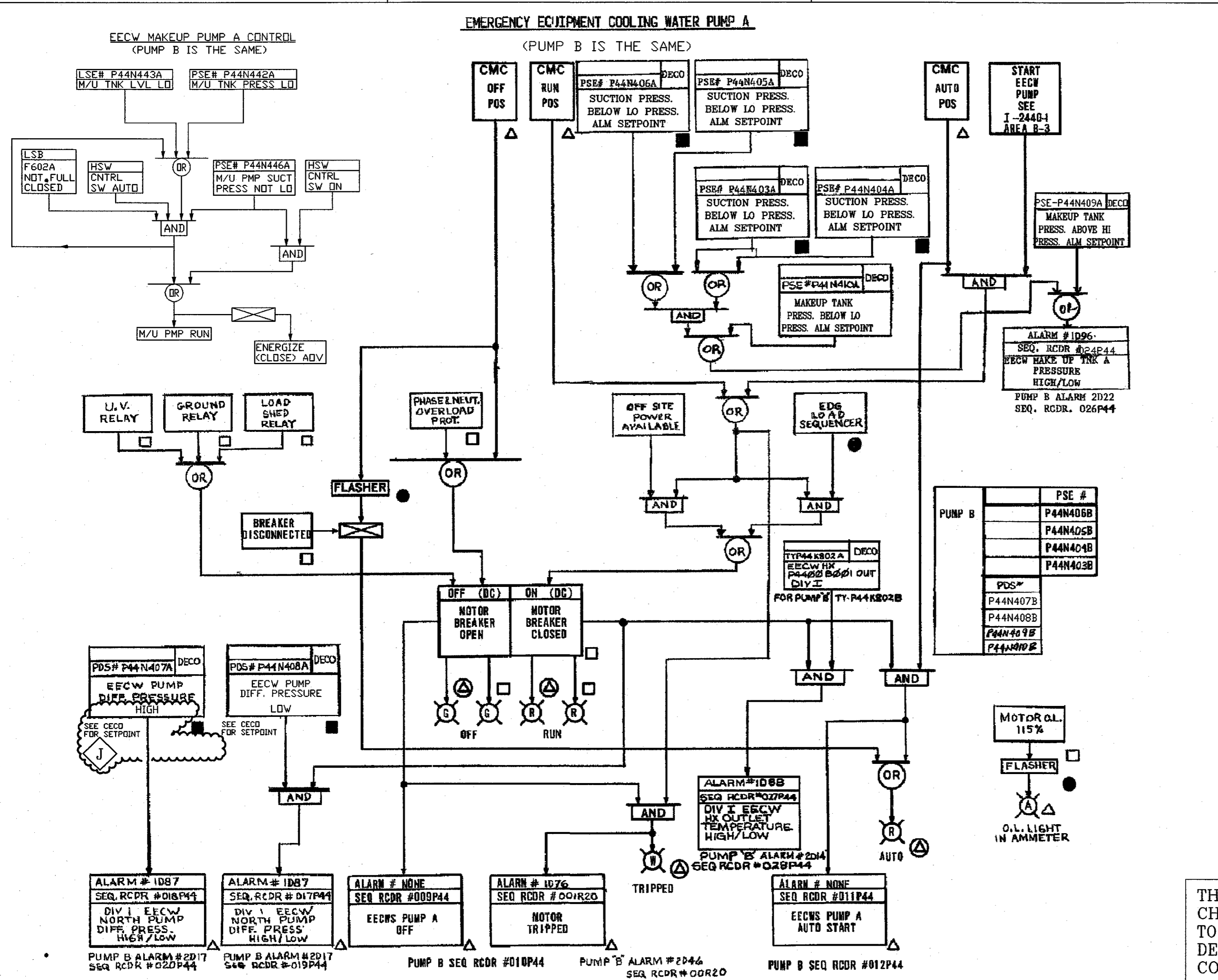


4

3

2

1



EQUIPMENT 480 VAC, 100 HP					
PUMP	MOTOR	FEEDER	PNL ITEM NO.		
DIV I	DIV II	CODE NO.	BUS NO.	POS	
				CMC SWITCH	
A		P4400C001A	72C	3D	1B152
B		P4400C001B	72F	3B	2B88

LOCATION SYMBOLS

- △ IN CONTROL ROOM
- ⊙ IN CMC SWITCH
- IN RELAY ROOM
- AT CONTROLLED EQUIPMENT
- AT SWITCHGEAR

NOTE

REFER TO DECO STANDARD DWG 6M-2290, SHT 2, MODE B, FOR EXPLANATION OF MOTOR CONTROL SWITCH AND ASSOCIATED FUNCTIONS

REFERENCE DWGS & DOCUMENTS

- I-2070-01 LOGIC SYMBOLS & LEGEND
- I-2441-01, 02 SCHEM DIAG-EECWS PUMPS A & B
- SD-2510-01 ONE LINE 480 VAC SWITCHGEAR
- M-5444, 5357 PIPING DIAG, RBCCW & EECW SYSTEMS
- M-2001 LEGEND OF SYMBOLS & INSTR IDENT FOR PLANT SYST DIAGRAMS
- I-2003-01, 02, 03 ARRANGEMENT OF EQUIP ON PNL H11P601
- I-2005-01, 02 ARRANGEMENT OF EQUIP ON PNL H11P602
- I-2440-01 LOGIC-EECWS & EESW SYST A/M CTRL
- CECD CENTRAL COMPONENT DATABASE
- 6M-2290, SHT 2, STANDARD PANEL CONFIGURATIONS

PUMP B	PSE #
	P44N406B
	P44N405B
	P44N404B
	P44N403B
	PDS#
	P44N407B
	P44N408B
	P44N409B
	P44N401B

4I721-2440-03
LATEST REVISION J

NUCLEAR SAFETY RELATED

THIS IS A MICROSTATION PRODUCED DRAWING. CHANGES OR REVISIONS MUST BE BROUGHT TO THE ATTENTION OF THE PLANT ENGINEERING DESIGN GROUP TO ENSURE THAT CONFIGURATION CONTROL IS MAINTAINED.

THIS DRAWING WAS REFORMATTED BY MICROSTATION AT REVISION "I". ALL PREVIOUS APPROVAL SIGNATURES ARE ON FILE ON MICROFILM IN DOCUMENT CONTROL.

J DCD'S INCORPORATED: EDP-33703.B031, REV. 0			
A PORTION OF THIS DRAWING IS AFFECTED BY THE FOLLOWING:			
TC	CHANGE DOCUMENT	PREPARED BY	DATE
		CHECKED BY	DATE
OTHER REVISIONS:			
ADMINISTRATIVE CHANGES PER PEPS-0019			
PREPARED BY	DATE	CHECKED BY	DATE
WJ ADLER	11/28/07	DAVID KARACZKI	11/28/07
APPROVED BY	DATE	DATE	
		12/28/07	

EDP POSTING ENTRIES REQUIRE THE ADDITION OF THE ARMS STATUS CODE: EITHER "AFC" OR "ASB"

INC.CODE	Detroit Edison		Fermi 2
U	TITLE		
	LOGIC DIAGRAM EMERGENCY EQUIPMENT COOLING WATER SYSTEM PUMPS A & B		
	APERTURE CARD TITLE		
	LOGIC EECWS PUMPS A AND B		
	PLANT IDENTIFICATION SYSTEM NUMBER		ARMS RECIPIENT #
	P4400		
	DOCUMENT TYPE CODE	NUC OPS FILE NO.	DATE ISSUED TO IS
	DDDINC	1801	1-7-08
	DRAWING NUMBER	REV.	
	4I721-2440-03	J	

4

3

2

1