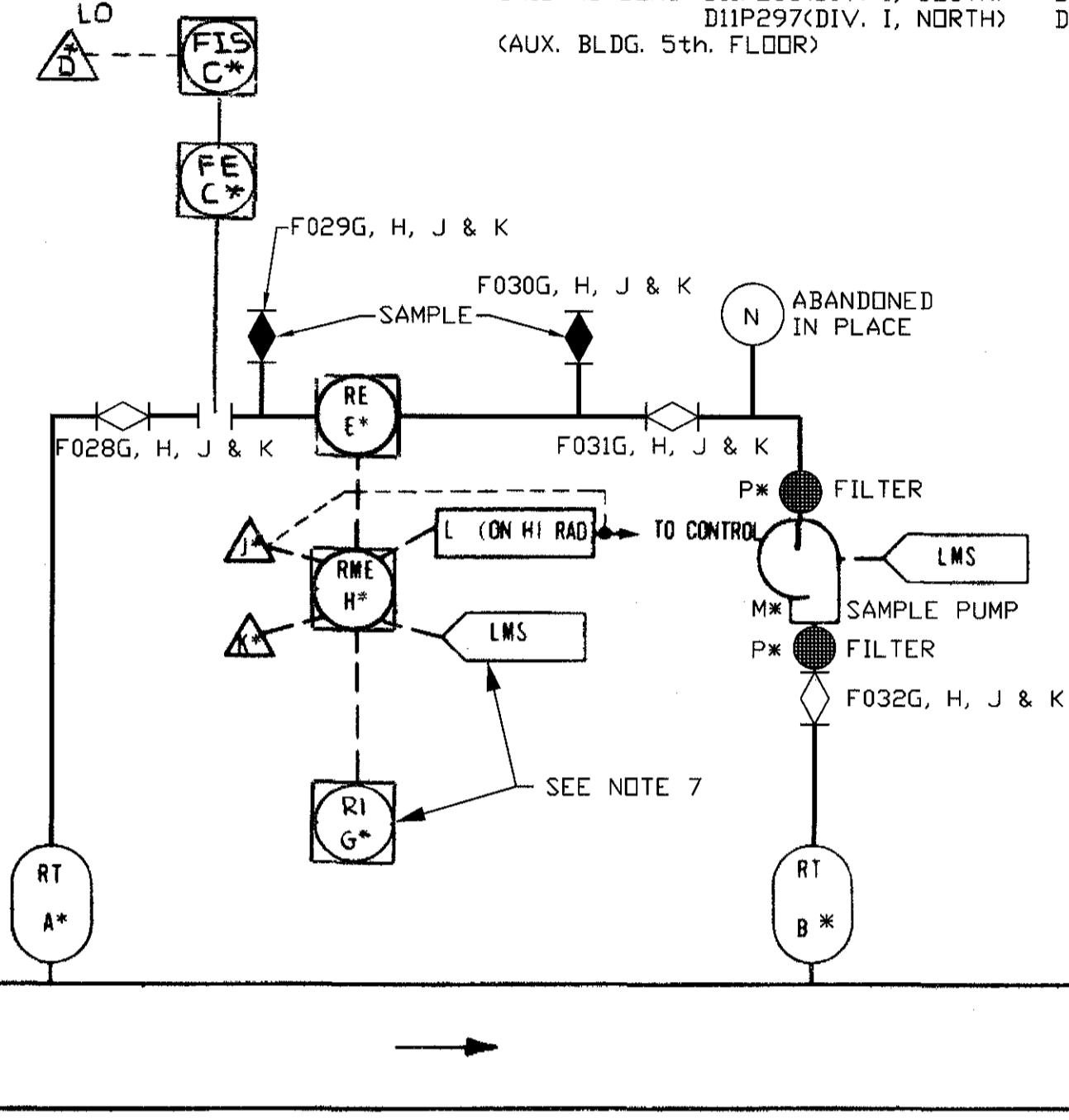
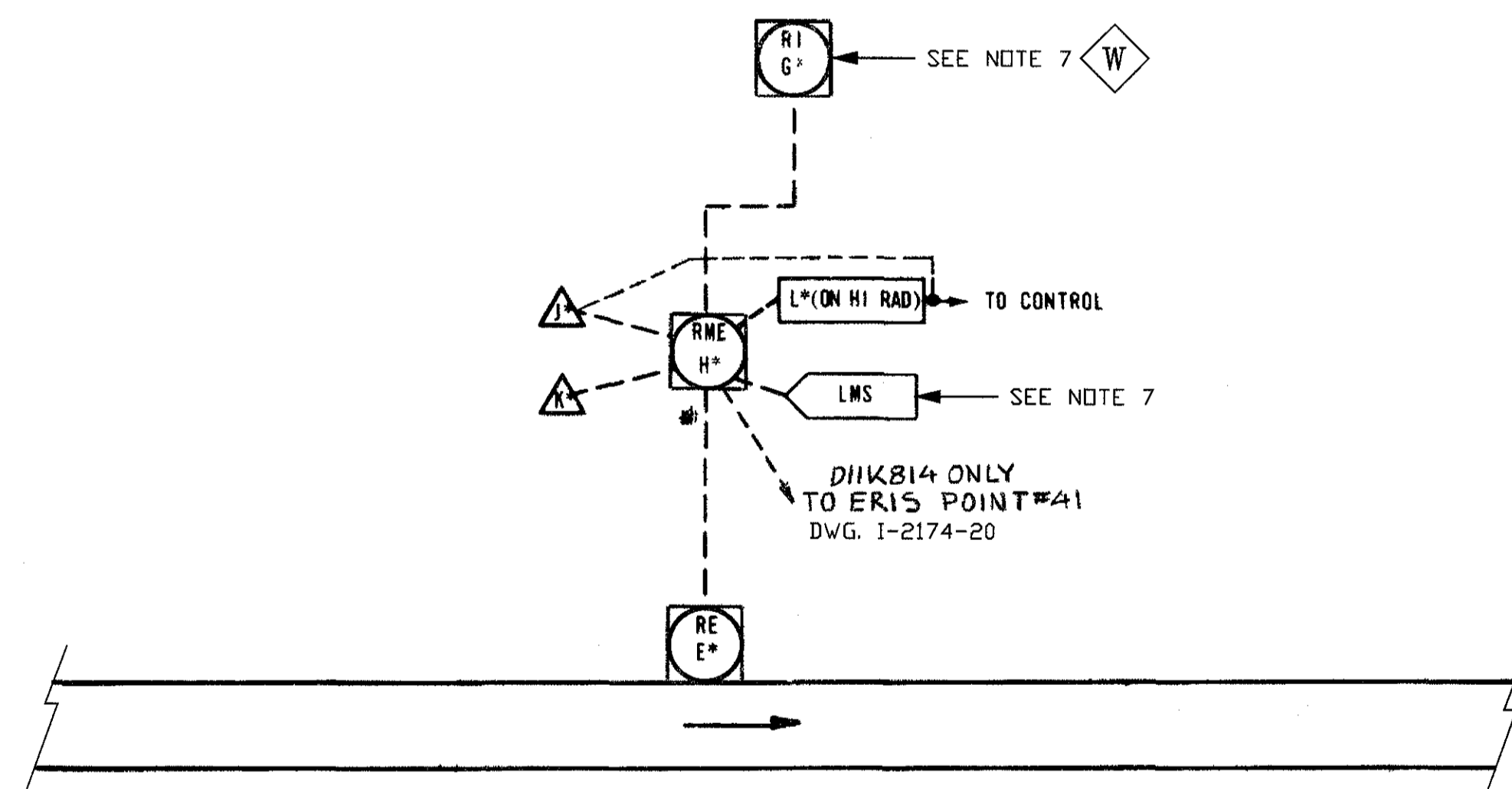


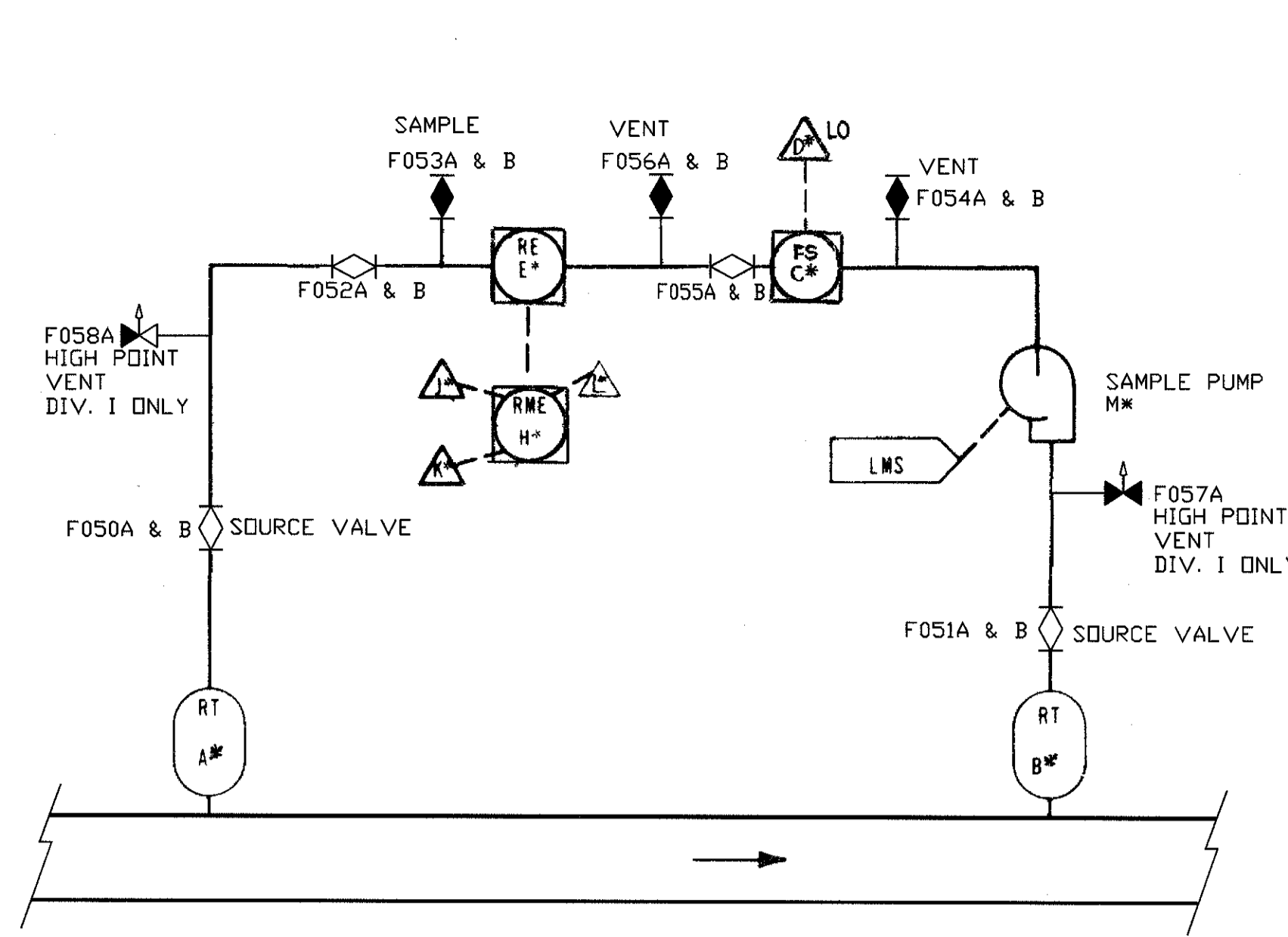
**DETAIL A**  
OFF LINE MONITOR WITH FILTER  
CONTROL CENTER EMERGENCY AIR INLET RADIATION MONITORS  
SKID NUMBERS: D1P289(DIV. I, SOUTH) D1P290(DIV. II, SOUTH)  
D1P297(DIV. I, NORTH) D1P298(DIV. II, NORTH)  
(AUX. BLDG. 5th FLOOR)



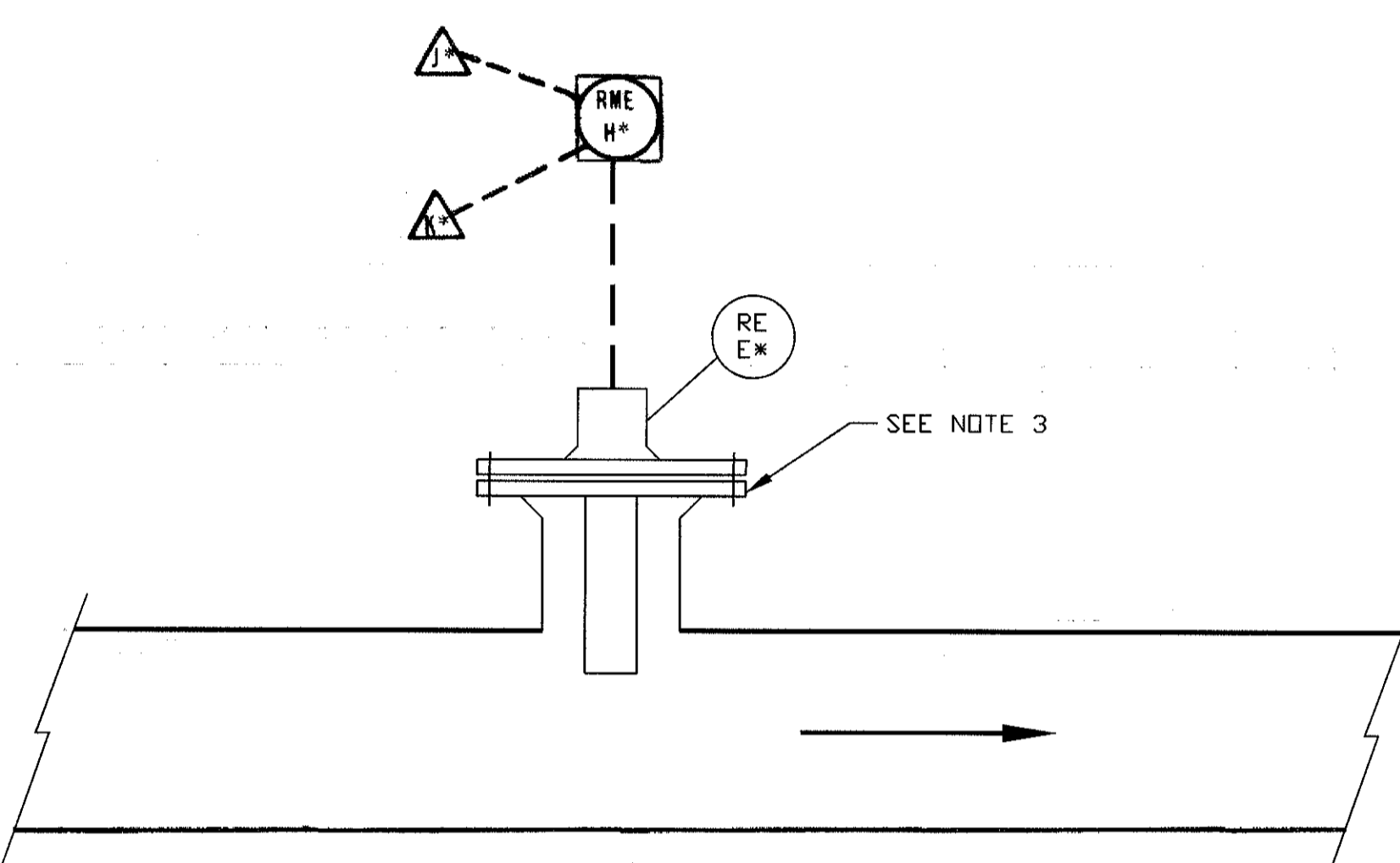
**DETAIL B**  
OFF LINE MONITOR  
REACTOR BUILDING VENTILATION EXHAUST RADIATION MONITORS  
SKID NUMBERS: D1P286(DIV. I) & D1P288(DIV. II)  
(AUX. BLDG. 4th FLOOR)  
CONTROL CENTER MAKEUP AIR MANIFOLD RADIATION MONITOR  
SKID NUMBERS: D1P277 (DIV. I) & D1P278 (DIV. II)  
(REACTOR BUILDING 5th FLOOR)



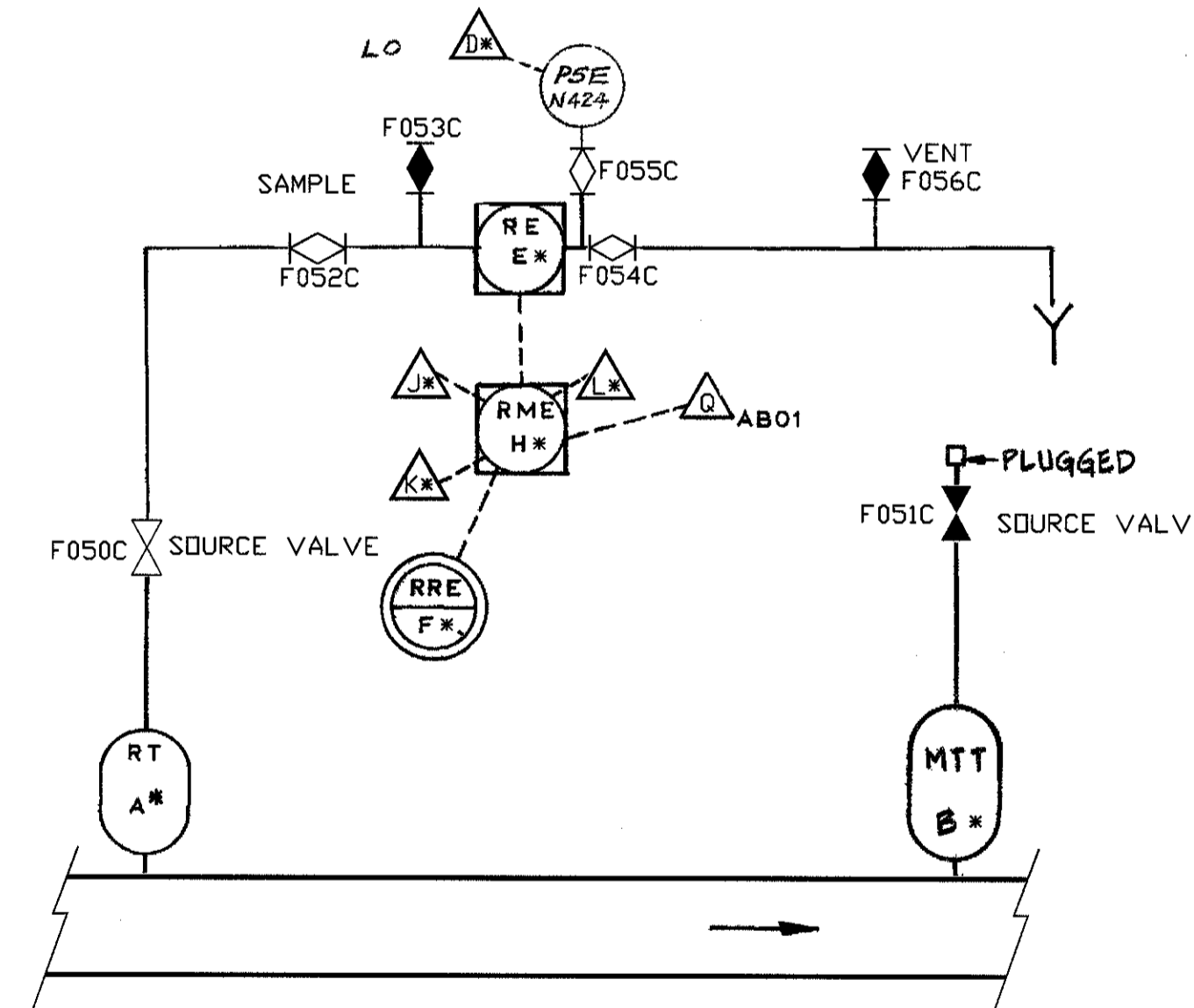
**DETAIL C**  
IN-LINE GASEOUS MONITORS  
TWO MINUTE HOLDUP PIPE  
EXHAUST RADIATION MONITORS  
SKID NUMBERS: D1P283 & D1P284  
(TURBINE BLDG. BASEMENT)



**DETAIL D**  
OFF LINE MONITOR (LIQUID)  
RHR SERVICE WATER RADIATION MONITORS  
SKID NUMBERS: D1P291(DIV. I) & D1P292(DIV. II)  
(REACTOR BLDG. 2nd FLOOR)



**DETAIL E**  
IN LINE MONITOR (LIQUID)  
ECCW RADIATION MONITORS  
SKID NUMBERS: D1P294 & D1P295  
(REACTOR BUILDING 2ND FLOOR)



**DETAIL F**  
OFF LINE MONITOR (LIQUID)  
CIRCULATING WATER DECANT LINE RADIATION MONITOR  
SKID NUMBER: D1P293  
(CIRCULATING WATER PUMP HOUSE)

SUBSYSTEM DESCRIPTION AND IDENTIFICATION NUMBERS		TABLE I															
SUBSYSTEM IDENTIFICATION NO.	SUBSYSTEM DESCRIPTION	SUBSYSTEM CONFIGURATION DETAIL DESIGNATION	UPSTREAM SOURCE VALVE	DOWNSTREAM SOURCE VALVE	FLOW SWITCH	LOW FLOW ALARM	RADIATION DETECTOR	RADIATION RECORDER	RADIATION INDICATOR	RADIATION MONITOR	DIAPHRAGMATIC INHERENT ALARM	UPS/SCALE ALARM	UPS/SCALE/TRIP ALARM	SAMPLE PUMP	PRESSURE INDICATOR	FILTER ASSEMBLY	TRIP FUNCTION
5111	TWO MINUTE HOLDUP PIPE EXH. RAD. MON. SUBSYSTEM	C					RE N414			RME K814	D01011	D02011	D03011				
5112	TWO MINUTE HOLDUP PIPE EXH. RAD. MON. SUBSYSTEM	C					RE N415			RME K815	D01011	D02011	D03011				
5113	TURBINE BUILDING VENT EXH. RAD. MON. SUBSYSTEM																
5114	RADIOWASTE BUILDING VENT EXH. RAD. MON. SUBSYSTEM (DIV. I)																
5115	RADIOWASTE BUILDING VENT EXH. RAD. MON. SUBSYSTEM (DIV. II)																
5116	REACTOR BLDG. VENT. EXH. RAD. MON. SUBSYSTEM (DIV. I)	B	RT L428A	RTO L428B	FIS L428C	OS2D11	RE N408			RME K808	D14011	D15011	D16011	C001A	RA01	D010A	TRIP 2/8 VENT 2/8 STARTS. INITIATES EMERGENCY RECORDING IN HI SCALING TRIP ON HI RAD. INLET
5117	REACTOR BLDG. VENT. EXH. RAD. MON. SUBSYSTEM (DIV. II)	B	RT L429A	RTO L429B	FIS L429C	OS2D11	RE N410			RME K810	D14011	D15011	D16011	C001B	RA03	D010B	TRIP 2/8 VENT 2/8 STARTS. INITIATES EMERGENCY RECORDING IN HI SCALING TRIP ON HI RAD. INLET
5118	BREATHING AIR RAD. MON. SUBSYSTEM	THIS EQUIPMENT IS ABANDONED IN PLACE															
5119	CONTROL CENT. MAKEUP AIR MANIFOLD RAD. MON. SUBSYSTEM (DIV. I)	B	RT L431A	RT L432A	FIS L432B	OS2D11	RE N404			RME K804	D05011	D07011	D08011	C002A	RA02	D010A	ISOLATES CTRL. CENTER INLET. INITIATES EMERGENCY RECORDING IN HI SCALING TRIP ON HI RAD. INLET
5120	CONTROL CENT. MAKEUP AIR MANIFOLD RAD. MON. SUBSYSTEM (DIV. II)	B	RT L431B	RT L432B	FIS L432C	OS2D11	RE N413			RME K813	D07011	D08011	D09011	C002B	RA04	D010B	ISOLATES CTRL. CENTER INLET. INITIATES EMERGENCY RECORDING IN HI SCALING TRIP ON HI RAD. INLET
5211	ECCW RAD. MON. SUBSYSTEM (DIV. I)	E					RE N400A			RME K800A	D03011	D04011					
5212	ECCW RAD. MON. SUBSYSTEM (DIV. II)	E					RE N400B			RME K800B	D03011	D04011					
5213	RHR SERVICE WATER RAD. MON. SUBSYSTEM (DIV. I)	D	RT L410A	RT L411A	FIS L411B	OS3D11	RE N401A			RME K801A	D02011	D03011	D04011	C007A			
5214	RHR SERVICE WATER RAD. MON. SUBSYSTEM (DIV. II)	D	RT L410B	RT L411B	FIS L411C	OS3D11	RE N401B			RME K801B	D02011	D03011	D04011	C007B			
5215	CIRCULATING WATER RESERVOIR DECANT LINE RAD. MON. SUBSYSTEM	F	RT L412	RT L413	FIS L413	OS4D11	RE N402			RME K802	D02011	D03011	D04011				
5119A	CONTROL CENTER EMERG AIR SOUTH INLET RAD. MON. SUBSYSTEM DIV. I	A	RT L433A	RT L434A	FIS L434A	OS2D11	RE N436A			RME K836A	D05D11	D07D11		C005A	RA06	D1100	TRIP ISOL DAMPER OF RAD. SELECTED INLET
5119B	CONTROL CENTER EMERG AIR SOUTH INLET RAD. MON. SUBSYSTEM DIV. II	A	RT L433B	RT L434B	FIS L434B	OS2D11	RE N436B			RME K836B	D05D11	D07D11		C005B	RA07	D1100	TRIP ISOL DAMPER OF RAD. SELECTED INLET
5119C	CONTROL CENTER EMERG AIR NORTH INLET RAD. MON. SUBSYSTEM DIV. I	A	RT L435A	RT L436A	FIS L436A	OS2D11	RE N437A			RME K837A	D05D11	D07D11		C006A	RA08	D1100	TRIP ISOL DAMPER OF RAD. SELECTED INLET
5119D	CONTROL CENTER EMERG AIR NORTH INLET RAD. MON. SUBSYSTEM DIV. II	A	RT L435B	RT L436B	FIS L436B	OS2D11	RE N437B			RME K837B	D05D11	D07D11		C006B	RA09	D1100	TRIP ISOL DAMPER OF RAD. SELECTED INLET

NOTE: THIS EQUIPMENT WAS REPLACED WITH EBERLINE RADIATION MONITORS - SEE DWG. I-2181-06 FOR FURTHER DETAILS.

**REFERENCE DWGS.**

- I-2181-01, -02 PRMS SYSTEM DIAGRAM
- I-2181-05 PRMS SUBSYSTEM CHARACTERISTICS
- I-2183-02 S/D & W/D PRMS D1N436A, B & D1N437A, B
- I-2182-05 PRMS CAB EQUIP. ARRANG. H1P883 & H1P884
- I-2183-03 W/D PRMS D1N403, 4, 5, 6A, 6B, 7, 14 & 15
- I-2183-04 W/D PRMS D1N400A, B & 401A, B
- I-2183-05 W/D PRMS D1N400, 9, 10 & 13
- I-2183-06 TERM. BLKCK. ARRANG. H1P883 & H1P884
- I-2183-07 W/D PRMS CAB H1P883
- I-2183-08 W/D PRMS CAB H1P884
- I-2183-09 PRMS ANNUAL GULF SUBSYSTEMS
- I-2185-01 PRMS REFERENCES GE SUBSYSTEMS
- I-2859-05 PRMS INSTALLATION & WIRING DETAILS
- M-2001 LEGEND OF SYMBOLS & INSTRUMENTATION IDENTIFICATION FOR PLANT SYSTEM DIAGRAMS.

- LEGEND**
- ▲ SYMBOL IDENTIFIES QA LEVEL 1 EQUIPMENT
  - △ COMPUTER INPUT
  - LMS LOCAL MANUAL SWITCH
  - RMS REMOTE MANUAL SWITCH
  - CRPB CONTROL ROOM PUSH BUTTON
  - SS SELECTOR SWITCH
  - CR CONTROL ROOM

**REFERENCE DOCUMENTS.**

- 1 RADIATION MONITORING OF PROCESS FLUIDS & GASES DES. SPEC. RI-9 22A1371AF
- 2 SPECIAL WIRE AND CABLE RI-114 22A2999
- 3 PLANT REQUIREMENTS RI-132 22A1300BC
- 4 SEPARATION & IDENT. OF ELEC. EQUIP. FOR ENGR'D SAFEGUARDS RI-180 22A1495AB
- 5 PIPING & INSTRUMENT SYMBOLS RI-2507 197R567
- 6 INSTRUMENT SYMBOLS RI-404 9201D280
- 7 REACTOR PROTECTION SYSTEM RI-100 732E181
- 8 CENTRAL COMPONENT DATA BASE (CCCD)

**NOTES:**

- UNLESS OTHERWISE SHOWN: ALL INSTRUMENT PIS NUMBERS ARE PREFIXED D11.
- HEAT TRACING PROVIDED AS REQUIRED.
- RADIATION ELEMENT AND WELL ASSEMBLY HAVE THE SAME PIS NUMBER - ITEM E IN ABOVE TABLE. REFER TO DRAWING M-3347-1, CI-880 AND CI-881 FOR DETAILS OF PIPING/WELL ASSEMBLY AND RADIATION ELEMENT.
- ANNUNCIATING IN RADIOWASTE BLDG.
- A LETTER FOLLOWED BY AN ASTERISK (\*) MEANS REFER TO TABLE 1. FOR EXAMPLE K\* MEANS LOOK IN COLUMN K OF TABLE 1 TO GET THE UPS/SCALE ALARM NUMBER.
- THIS SUBSYSTEM WAS ORIGINALLY INSTALLED AS QUALITY ASSURANCE LEVEL 1, SEISMIC II/1 AND HAS BEEN UPGRADED TO QUALITY ASSURANCE LEVEL 1, SEISMIC I FOR PRESSURE BOUNDARY INTEGRITY ONLY (REF. TSR-30465).
- LOCAL MANUAL SWITCH (LMS) AND RADIATION INDICATOR NOT PRESENT FOR THE FOLLOWING RADIATION MONITOR (RME) PIS LOCATIONS: K808, K810, K813 & K814

61721-2181-03  
LATEST REVISION X

NUCLEAR SAFETY RELATED

THIS IS A MICROSTATION PRODUCED DRAWING. CHANGES OR REVISIONS MUST BE BROUGHT TO THE ATTENTION OF THE PLANT ENGINEERING DESIGN GROUP TO ENSURE THAT CONFIGURATION CONTROL IS MAINTAINED.

THIS DRAWING WAS REFORMATTED BY MICROSTATION AT REVISION "U". ALL PREVIOUS APPROVAL SIGNATURES ARE ON FILE ON MICROFILM IN DOCUMENT CONTROL.

INC. CODE	U	DATE	
TITLE	Detroit Edison Fermi 2 PROCESS RADIATION MONITOR SUBSYSTEMS SYSTEM DIAGRAM		
APERTURE CARD TITLE	S/D PROCESS RADIATION MONITOR		
PLANT IDENTIFICATION SYSTEM NUMBER	D1100		
DOCUMENT TYPE CODE	DDDC	DATE ISSUED TO IS	11/20/01
DRAWING NUMBER	61721-2181-03	REVISION	X

PREPARED BY: A. DITTMAN DATE: 11/17/20 CHECKED BY: J. M. MOSE DATE: 11/15/01 APPROVED BY: DATE: 11/15/01

OTHER REVISIONS:

EDP PORTING ENTRIES REQUIRE THE ADDITION OF THE TIME STAMP CODE: EITHER "AFC" OR "ASB"