

VALVE LIMIT SWITCH CONTACT DEVELOPMENT			
CONTACT	VALVE POSITION		FUNCTION
	FULL OPEN	FULL CLOSED	
A	█	█	BYPASS FOR X
B	█	█	SPARE
C	█	█	CLOSE LIGHT
D	█	█	OPENING LIMIT
E	█	█	BYPASS FOR Y
F	█	█	SPARE
G	█	█	OPEN LIGHT
H	█	█	SPARE
X	CLOSING TORQUE SWITCH INTERRUPTS CONTROL CIRCUIT IF MECH OVERLOAD OCCURS DURING CLOSING CYCLE.		
Y	OPENING TORQUE SWITCH INTERRUPTS CONTROL CIRCUIT IF MECH OVERLOAD OCCURS DURING OPENING CYCLE.		

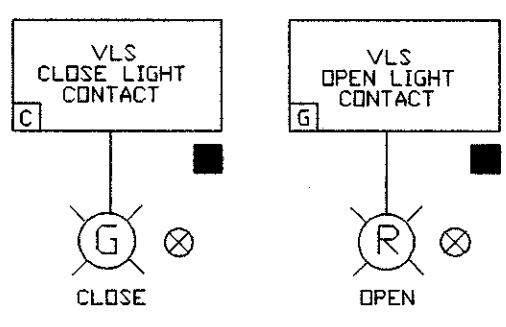
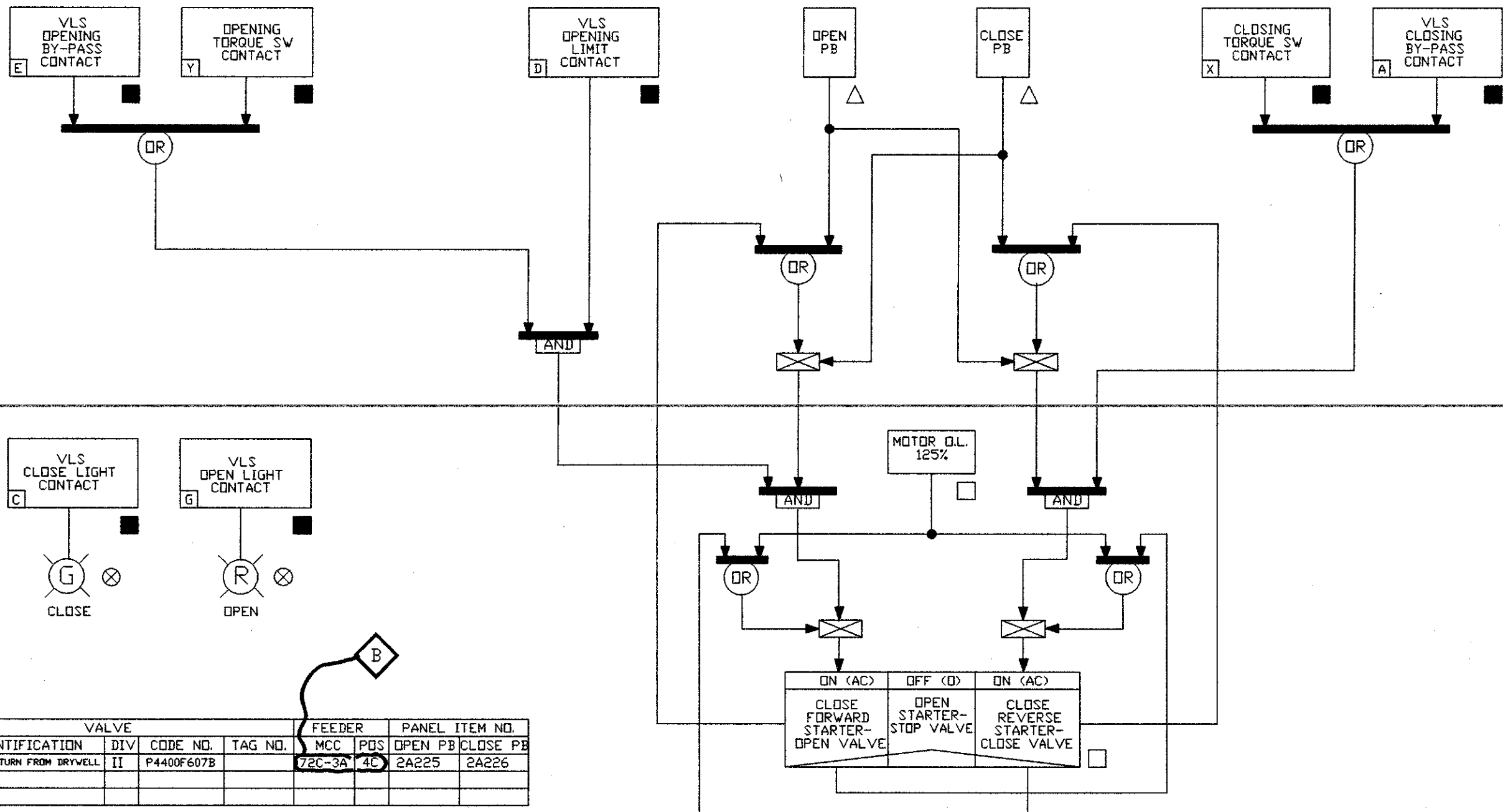
CONTACT OPEN CONTACT CLOSED

LOCATION SYMBOLS

- △ IN CONTROL ROOM
- ⊗ IN PUSHBUTTON
- AT CONTROLLED EQUIPMENT
- AT MCC

NOTE

REFER TO DECO STANDARD DWG. 6M-2290, SHT. 2, DETAIL 2 FOR EXPLANATION OF CONTROL PUSHBUTTONS.



**	IDENTIFICATION	DIV	CODE NO.	TAG NO.	MCC	POS	OPEN PB	CLOSE PB
6	EECW RETURN FROM DRYWELL	II	P4400F607B		72C-3A	4C	2A225	2A226

** VALVE NO. FROM TABLE ON SYSTEM DIAGRAM - M-5357.

4I721-2440-07
LATEST REVISION B

REFERENCE DWGS. & DOCUMENTS

- I-2070-1 LOGIC SYMBOLS AND LEGEND
- I-2440-1 LOGIC DIAG-EECW & EESW SYSTEMS
- I-2441-8 SCHM DIAG-EECW'S VALVES - AUTO OPEN
- SD-2512-18 480 VAC MCC (72C-3A) FRONTAL ELEV (FRT)
- M-5357, PIPING DIAGRAM-RBCCW & EECW SYSTEMS
- M-2001, LEGEND OF SYMBOLS & INSTR IDENTIFICATION FOR PLANT SYSTEM DIAGRAMS
- I-2005-1 -2, ARRANGEMENT OF EQUIP ON PANEL H11-P602
- DECO DESIGN INSTRUCTION #29, EECW SYSTEM
- 6M-2290, SHT. 2, STANDARD PANEL CONFIGURATIONS
- I-2440-6, EMERG. EQPT. COOLING WATER SYSTEM VALVES - AUTO OPEN, DIV. 2 LOGIC DIAGRAMS

NUCLEAR SAFETY RELATED

THIS IS AN AUTOCAD PRODUCED DRAWING. CHANGES OR REVISIONS MUST BE BROUGHT TO THE ATTENTION OF THE PLANT ENGINEERING DESIGN GROUP TO ENSURE THAT CONFIGURATION CONTROL IS MAINTAINED.

THIS DRAWING WAS REFORMATTED BY AUTOCAD AT REVISION A. ALL PREVIOUS APPROVAL SIGNATURES ARE ON FILE ON MICROFILM IN DOCUMENT CONTROL.

B DCD'S INCORPORATED: EDP 29183 REV. 0	A PORTION OF THIS DRAWING IS AFFECTED BY THE FOLLOWING:		INC. CODE U	Detroit Edison Fermi 2
	TC CHANGE DOCUMENT	PREPARED BY DATE	CHECKED BY DATE	TITLE LOGIC DIAGRAM EMERGENCY EQUIPMENT COOLING WATER SYSTEM VALVE-DIVISION II
OTHER REVISIONS:	APPROVED BY DATE	APPROVED BY DATE	APERTURE CARD TITLE LOG DIAG EECW SYS VLV DIV II	PLANT IDENTIFICATION SYSTEM NUMBER P4400.E2100
PREPARED BY DATE CHECKED BY DATE <i>Ron Gonia</i> 9-15-97 <i>ME</i> 9-19-97	APPROVED BY DATE <i>Krishna Boudh for G. Sanjo</i> 9-25-97	OTHER APPROVALS DATE	DOCUMENT TYPE CODE NUC OPS FILE NO. DATE ISSUED TO IS DDDINC 1801 9-29-97	ARMS RECIPIENT # B
EDP POSTING ENTRIES REQUIRE THE ADDITION OF THE ARMS STATUS CODE: EITHER "AFC" OR "ASB"			DRAWING NUMBER 4I721-2440-07	REV. B