

DRAWING NUMBER

PLAN HOLD CORPORATION - IRVINE, CALIFORNIA
INDUSTRIAL MANUFACTURING
TRADE SIZE OF PAPER IS 11x14 IN.

DRAWING NUMBER

PLAN HOLD CORPORATION - IRVINE, CALIFORNIA
INDUSTRIAL MANUFACTURING
TRADE SIZE OF PAPER IS 11x14 IN.

DRAWING NUMBER

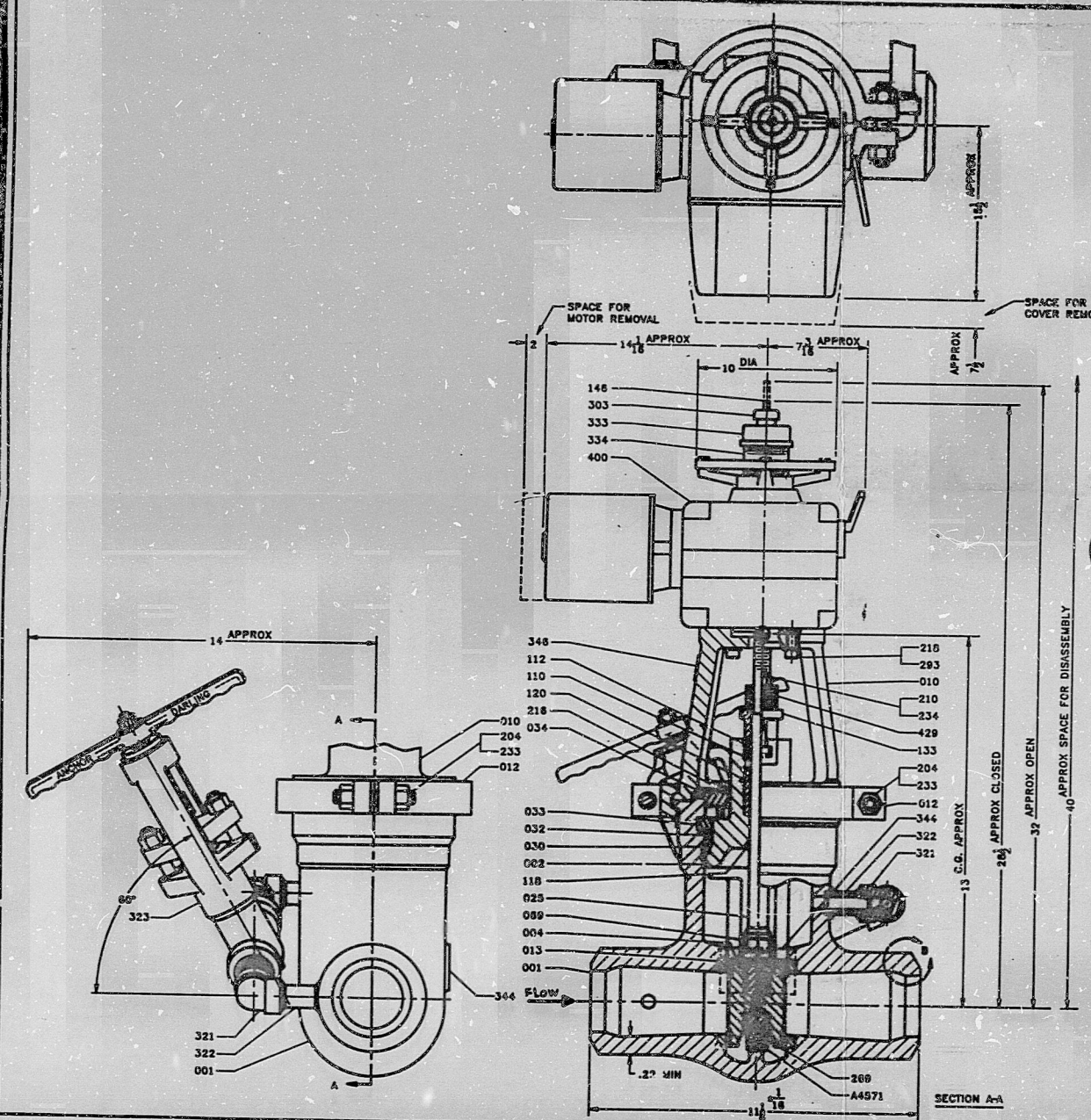
PLAN HOLD CORPORATION - IRVINE, CALIFORNIA
INDUSTRIAL MANUFACTURING
TRADE SIZE OF PAPER IS 11x14 IN.

DRAWING NUMBER

PLAN HOLD CORPORATION - IRVINE, CALIFORNIA
INDUSTRIAL MANUFACTURING
TRADE SIZE OF PAPER IS 11x14 IN.

REV	REVISIONS	BY	APP'D BY

FOR REVISIONS SEE SHEET 2



9902100200

APERTURE CARD

UNCONTROLLED DRAWING
Copy Data
Caution-Extended use of this drawing copy may result in its inaccuracy due to subsequent design changes and drawing updates.

NUCLEAR SAFETY RELATED
QA-CAT I

NEW YORK POWER AUTHORITY
JAMES A. FITZPATRICK NUCLEAR POWER PLANT
CUST. P.O. NO.: 0210822-88 ITEM 2.0
ANCHOR/DARLING S.O. EB135-2

ANCHOR/DARLING VALVE COMPANY
3"-150 WELD ENDS CARBON STEEL
DOUBLE DISC GATE VALVE
WITH SMB-000-2 LIMITORQUE ACTUATOR

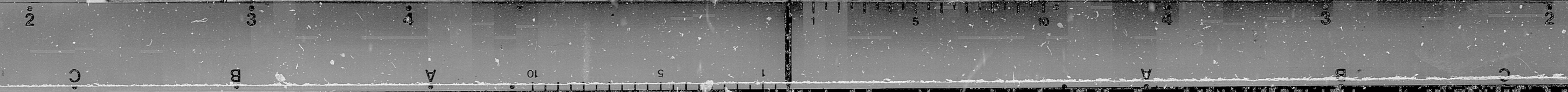
DRW BY: ACW	DATE: 8-28-88	DESIGNED BY: DLO	DATE: 8-28-88
CHEK BY: DLO	DATE: 8-28-88	W13923082	
APP'D BY: 2/1	DATE: 9-7-88	1 2 3 4 5 6 7 8	

REV	DATE	DESCRIPTION	BY	CHK	DES	APP
A	8/28/88	ORIGINAL ISSUE- AS-BUILT PER MOD. NO. FI-88-178	EP	JL		

REVISION OR ISSUE BY NYPA

New York Power Authority
JAMES A. FITZPATRICK
NUCLEAR POWER PLANT

TITLE: 3" MOTOR OPERATED GATE VALVE OUTLINE &
DIMENSIONS VIEW-15
COMPONENT I.D. NO. 20-MQY-82
VENDOR: ANCHOR/DARLING
VENDOR DWG. NO. W8923092 SH.1
FILE NO. 6.37-302
REV. A



9902100200

EDR RIDS

9902100200

