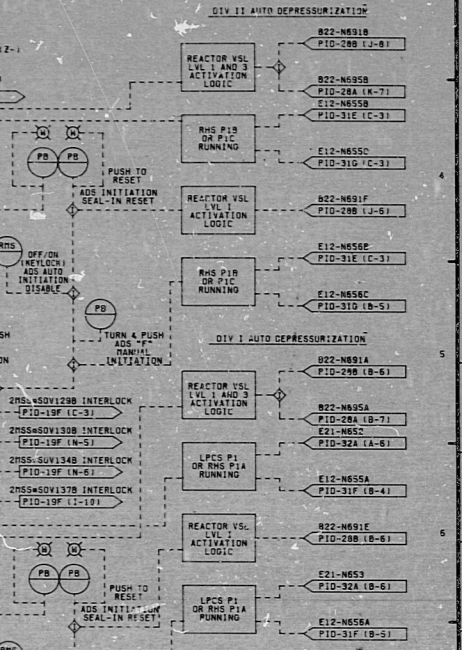
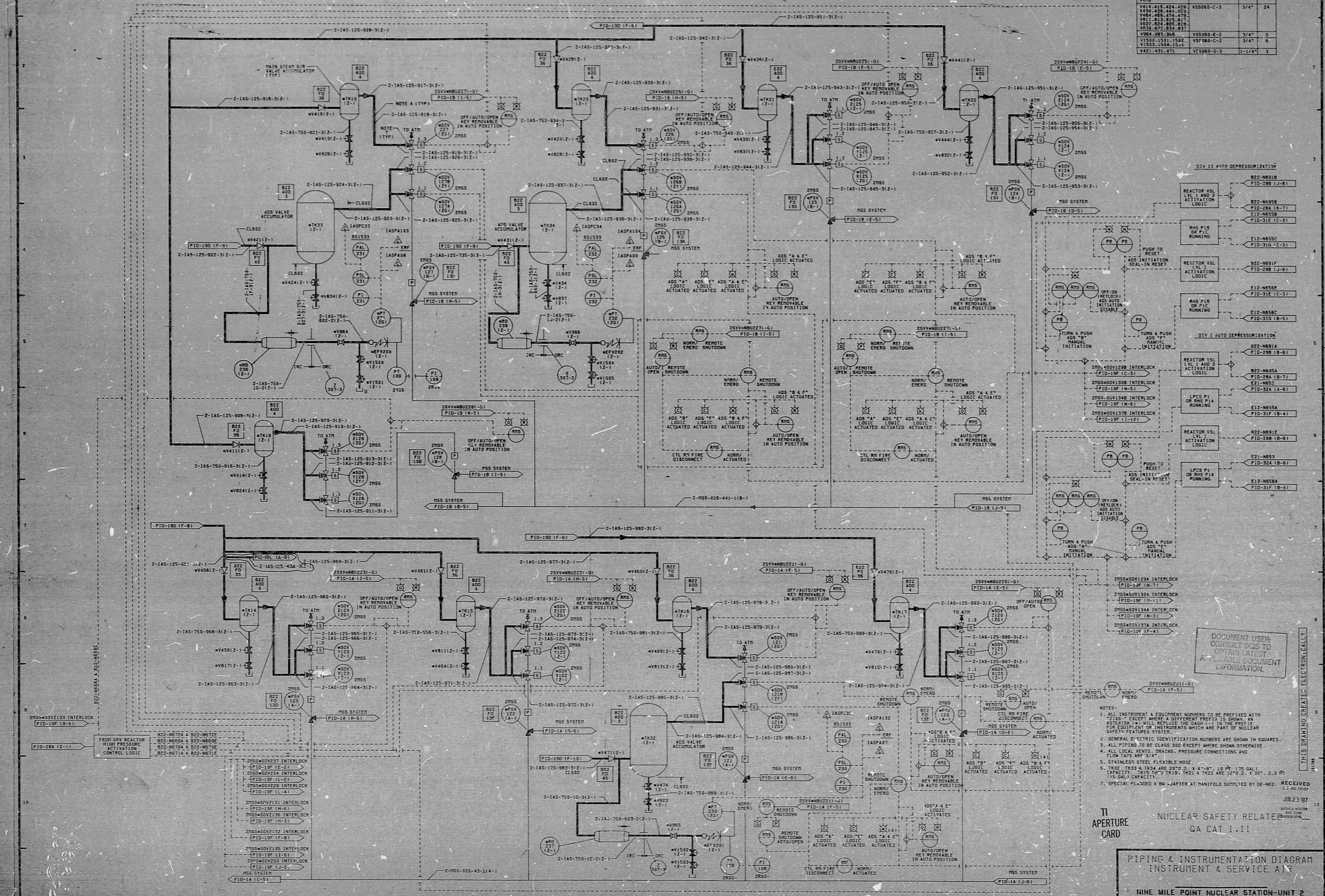


12177-PID-19E-6

MARK NUMBER	DESCRIPTION	SIZE	NO. OF VALVES
V41-416-426-436	V41-416-426-436	1-1/4"	8
V42-431-431-431	V42-431-431-431	1-1/4"	8
V43-431-431-431	V43-431-431-431	3/4"	24
V44-431-431-431	V44-431-431-431	3/4"	3
V45-431-431-431	V45-431-431-431	3/4"	6
V46-431-431-431	V46-431-431-431	1-1/4"	3



DOCUMENT USER:
CONSULT THIS TO
OBTAIN LATEST
AVAILABLE DOCUMENT
INFORMATION.

- NOTES:
1. ALL INSTRUMENT & EQUIPMENT NUMBERS TO BE PREFIXED WITH "212A" EXCEPT WHERE A DIFFERENT PREFIX IS SHOWN. IN CASES WHERE A DIFFERENT PREFIX IS SHOWN, THE PREFIX FOR EQUIPMENT OR INSTRUMENTS WHICH ARE PART OF NUCLEAR SAFETY FEATURES SYSTEM.
 2. GENERAL ELECTRIC IDENTIFICATION NUMBERS ARE SHOWN IN SQUARES.
 3. ALL PIPING TO BE CLASS 302 EXCEPT WHERE SHOWN OTHERWISE.
 4. ALL LOCAL VENTS, DRAINS, PRESSURE CONNECTIONS AND STAINLESS STEEL FLEXIBLE HOSE.
 5. "212A" 1253 & 1254 ARE 2000-D, 4" x 4"-10" 175 GALL. CAPACITY CLASS 302 PIPING. 1252 & 1253 ARE 10" x 10" - 2.0" 175 GALL. CAPACITY CLASS 302 PIPING.
 6. SPECIAL FLANGED & BOLT LAMPERS AT MANIFOLD SUPPLIED BY GE-NE.

RECEIVED
JUN 23 '87
NUCLEAR SAFETY RELATED
GA CAT 1.11

PIPING & INSTRUMENTATION DIAGRAM
INSTRUMENT & SERVICE AIR

NINE MILE POINT NUCLEAR STATION-UNIT 2
NIAGARA MOHAWK POWER CORPORATION

NO.	DATE	DESCRIPTION	BY	CHKD.	APPROVED
1	10/1/86	ISSUED FOR CONSTRUCTION	E. F. CURRAN	E. F. CURRAN	E. F. CURRAN
2	10/1/86	REVISION	E. F. CURRAN	E. F. CURRAN	E. F. CURRAN
3	10/1/86	REVISION	E. F. CURRAN	E. F. CURRAN	E. F. CURRAN
4	10/1/86	REVISION	E. F. CURRAN	E. F. CURRAN	E. F. CURRAN
5	10/1/86	REVISION	E. F. CURRAN	E. F. CURRAN	E. F. CURRAN
6	10/1/86	REVISION	E. F. CURRAN	E. F. CURRAN	E. F. CURRAN
7	10/1/86	REVISION	E. F. CURRAN	E. F. CURRAN	E. F. CURRAN
8	10/1/86	REVISION	E. F. CURRAN	E. F. CURRAN	E. F. CURRAN
9	10/1/86	REVISION	E. F. CURRAN	E. F. CURRAN	E. F. CURRAN
10	10/1/86	REVISION	E. F. CURRAN	E. F. CURRAN	E. F. CURRAN
11	10/1/86	REVISION	E. F. CURRAN	E. F. CURRAN	E. F. CURRAN
12	10/1/86	REVISION	E. F. CURRAN	E. F. CURRAN	E. F. CURRAN
13	10/1/86	REVISION	E. F. CURRAN	E. F. CURRAN	E. F. CURRAN
14	10/1/86	REVISION	E. F. CURRAN	E. F. CURRAN	E. F. CURRAN
15	10/1/86	REVISION	E. F. CURRAN	E. F. CURRAN	E. F. CURRAN
16	10/1/86	REVISION	E. F. CURRAN	E. F. CURRAN	E. F. CURRAN
17	10/1/86	REVISION	E. F. CURRAN	E. F. CURRAN	E. F. CURRAN
18	10/1/86	REVISION	E. F. CURRAN	E. F. CURRAN	E. F. CURRAN
19	10/1/86	REVISION	E. F. CURRAN	E. F. CURRAN	E. F. CURRAN
20	10/1/86	REVISION	E. F. CURRAN	E. F. CURRAN	E. F. CURRAN
21	10/1/86	REVISION	E. F. CURRAN	E. F. CURRAN	E. F. CURRAN
22	10/1/86	REVISION	E. F. CURRAN	E. F. CURRAN	E. F. CURRAN
23	10/1/86	REVISION	E. F. CURRAN	E. F. CURRAN	E. F. CURRAN
24	10/1/86	REVISION	E. F. CURRAN	E. F. CURRAN	E. F. CURRAN
25	10/1/86	REVISION	E. F. CURRAN	E. F. CURRAN	E. F. CURRAN
26	10/1/86	REVISION	E. F. CURRAN	E. F. CURRAN	E. F. CURRAN
27	10/1/86	REVISION	E. F. CURRAN	E. F. CURRAN	E. F. CURRAN
28	10/1/86	REVISION	E. F. CURRAN	E. F. CURRAN	E. F. CURRAN
29	10/1/86	REVISION	E. F. CURRAN	E. F. CURRAN	E. F. CURRAN
30	10/1/86	REVISION	E. F. CURRAN	E. F. CURRAN	E. F. CURRAN
31	10/1/86	REVISION	E. F. CURRAN	E. F. CURRAN	E. F. CURRAN
32	10/1/86	REVISION	E. F. CURRAN	E. F. CURRAN	E. F. CURRAN

12177-PID-19E-6

PDR RIDS

8709170480

