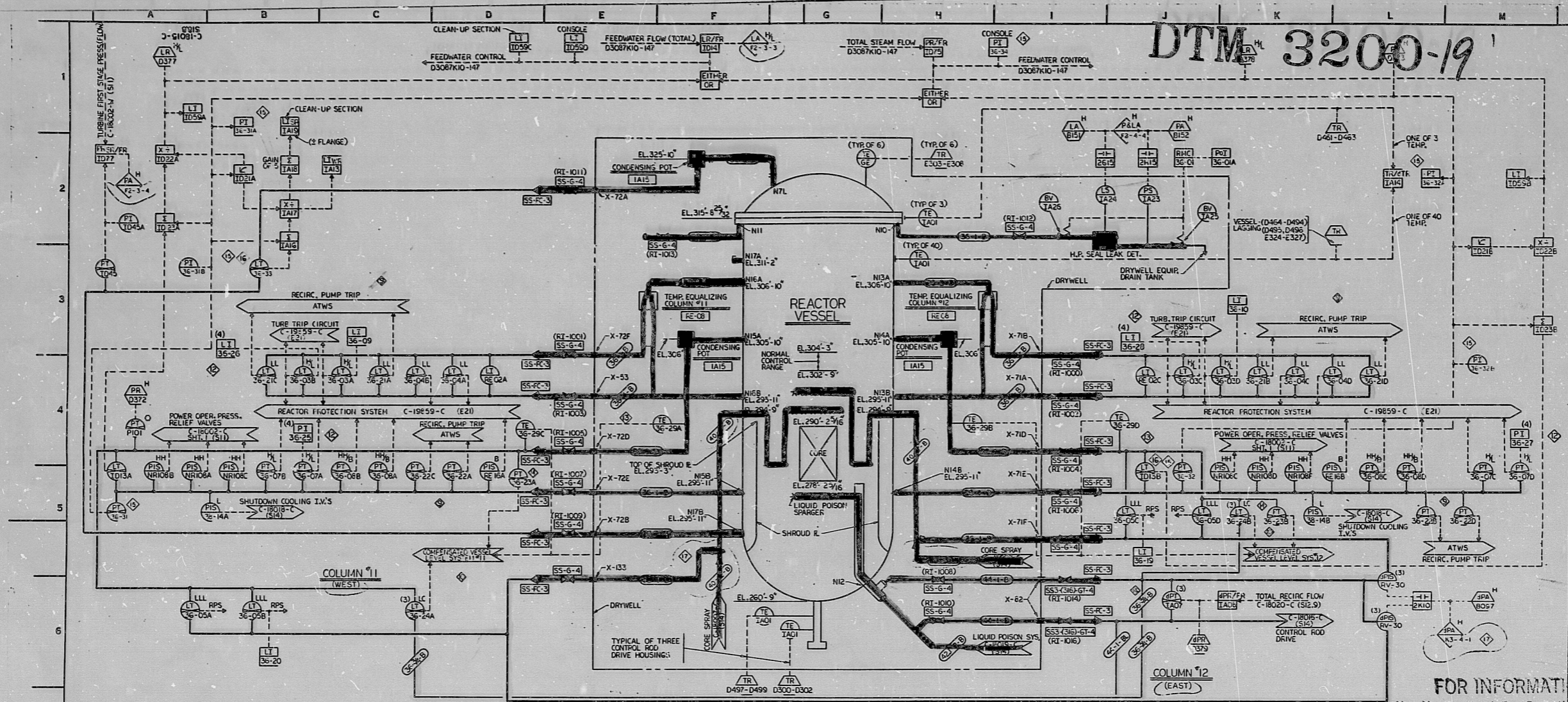


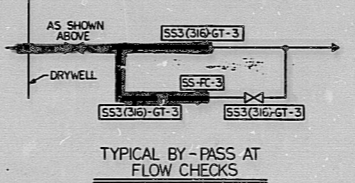
DTM 3200-19



FOR INFORMATION ONLY
Not To Be Used For Operations & Maintenance

DEVICE	CONDITION	SET POINT IND. SCALE ELEV.	ACTION	
COLUMN #11 36-07A, 36-07B	COLUMN #12 36-07C, 36-07D	VESSEL PRESS. (L)	2 850 PSIG	CLOSE MAIN STEAM ISOLATION VALVES (IN RUN MODE ONLY)
36-05A, 36-05B	36-05C, 36-05D	VESSEL LEVEL (LLL)	2 1271 2 294'-10"	AUTO DEPRESSURIZATION WITH NI DRYWELL PRESS.
36-04A, 36-04B	36-04C, 36-04D	VESSEL LEVEL (LL)	2 53" 2 297'-9"	ACTIVATE CORE SPRAY PUMPS W/SIGNAL FROM 36-03 ACTIVATES CONTAINMENT SPRAY W/SIGNAL FROM 20L2-476 CLOSED MAIN STEAM ISOLATION VALVES, ISOLATES CLEAN-UP & SHUTDOWN LOOP, CLOSURES VENT & PUMP OUTLETS (TRIP RECIRC. LOOP)
36-03A, 36-03B	36-03C, 36-03D	VESSEL LEVEL (L)	2 53" 2 301'-9"	SCRAM REACTOR & TRIP TURBINE STOP VALVES
36-03A, 36-03B	36-03C, 36-03D	VESSEL LEVEL (H)	2 53" 2 305'-3"	TRIP TURBINE STOP VALVES / FWR #13 CLUTCH DISENGAGE
36-07A, 36-07B	36-07C, 36-07D	VESSEL PRESS. (H)	2 1090 PSIG	SCRAM REACTOR
36-08A, 36-08B	36-08C, 36-08D	VESSEL PRESS. (HH)	2 1090 PSIG W/TIME DELAY	ACTIVATE EMERGENCY COOLING
NR 108A NR 108B NR 108E	NR 108D NR 108C NR 108F	VESSEL PRESS. (HH)	1090 PSIG 1095 PSIG 1090 PSIG	OPEN POWER OPER. PRESS. RELIEF VALVES
36-08A, 36-08B	36-08C, 36-08D	VESSEL PRESS. (BLOCK)	2 365 PSIG	ACTIVATE CORE SPRAY VALVES W/SIGNAL FROM 36-04
36-14A	36-14B	VESSEL PRESS. (BLOCK)	> 120 PSIG	SHUTDOWN COOLING SYSTEM (ISOLATION VALVES)
RE 16A	RE 16B	VESSEL PRESS. (BLOCK)	< 600 PSIG	BY-PASS OF LOW CONDENSER VACUUM & MAIN STEAM ISOLATION VALVE CLOSURE SCRAMS
36-21A, 36-21C	36-21B, 36-21D	VESSEL LEVEL (LL)	2 297'-5" W/TIME DELAY	TRIP RECIRC. PUMPS (S)
36-22A, 36-22C	36-22B, 36-22D	VESSEL PRESS. (H)	2 1150 PSIG W/TIME DELAY	TRIP RECIRC. PUMPS (S)

HOZZLE NUMBER	FUNCTION
N10	HIGH PRESS SEAL LEAK DETECTOR
N11	LOW PRESS SEAL LEAK DETECTOR
N12	CORE 4P, CONT. ROD DRIVE & REACTOR 4P
N13A	PROTECTION SYSTEM (STATIC)
N13B	PROTECTION SYSTEM (VARIABLE)
N14A	LEVEL CONTROL RANGE (STATIC)
N14B	LEVEL CONTROL RANGE (VARIABLE)
N15A	LEVEL CONTROL RANGE (STATIC)
N15B	LEVEL CONTROL RANGE (VARIABLE)
N16A	PROTECTION SYSTEM (STATIC)
N16B	PROTECTION SYSTEM (VARIABLE)
N17A	INACTIVE
N17B	WIDE RANGE (VARIABLE)
N17L	WIDE RANGE (STATIC)



SUFFIX USED
L - LOW
LL - HIGH LOW
H - HIGH
HH - HIGH HIGH
H/L - HIGH/LOW
SR - SUPPRESSED RANGE
B - BLOCK
LLL - LOW LOW LOW
COMP - COMPENSATION
4P - DIFFERENTIAL PRESS
WR - WIDE RANGE
LC - CORE LEVEL

FINAL PRINT

NOTES:
1. (RI-1000) - OPERATING NUMBERS
2. O FURNISH BY G.E. (PERFORMANCE CALCULATION)
3. LOCATED IN THE NORTH INSTRUMENT ROOM
4. LOCATED ON REMOTE SHUTDOWN PANEL
THIS DRAWING WAS REVISED & REDRAWN FROM DWG. C-18015-C DATED 10-29-65 REV. 8

NO.	DATE	DESCRIPTION
17	10/29/65	REVISED PER FIELD VERIFICATION: DTM 3200-19
16	10/29/65	FINAL AS BUILT PER DTM 2928
15	10/29/65	ADDED NEW TRANSMITTERS 1, 2, 3
14	10/29/65	REVISED COMMS FOR PT 36-23A/B
13	10/29/65	ADDED TE 36-29A, B, C, D
12	10/29/65	ADDED LVL & PRESS. IND FOR REMOTE SHUTDOWN PANEL, MO. 1843
11	10/29/65	ADDED SAMPLE TO POST ACCIDENT SAMPLING SYS. MO. 1853
10	10/29/65	ADDED 17-36-29A, B, C, D PT 36-23A/B MO. 1843
9	10/29/65	ADDED ATWS XMITTERS 0 36-21A, B, C, D & 36-22A, B, C, D MO. 0439

NO.	DATE	DESCRIPTION
1	6-3-60	NONE
2	3-N2-S18.B	NONE
3	c-18015-C	NONE

MTI
APERTURE
CARD

8610090504

PDR RIDS

8610090504

