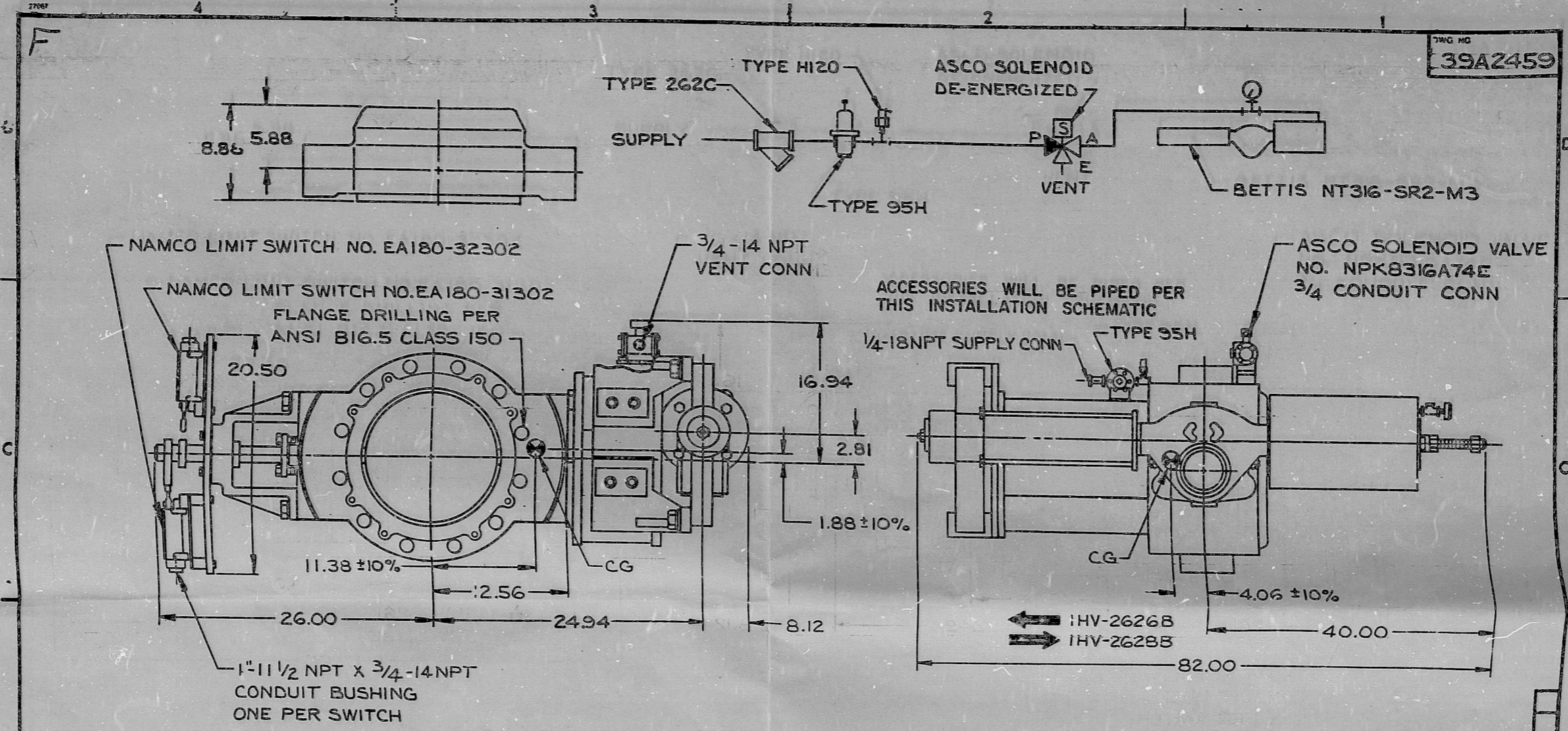
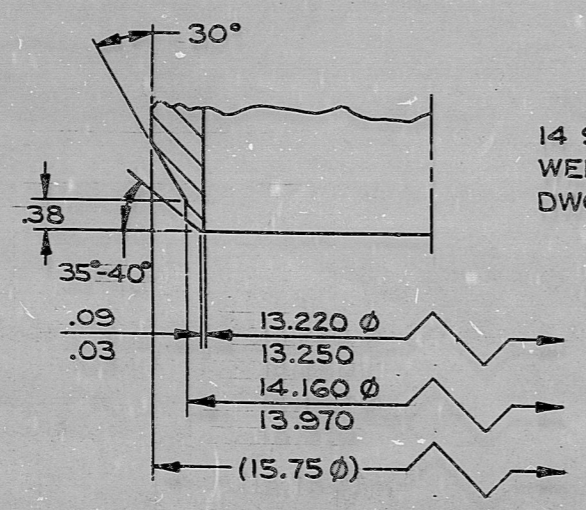


DWG NO
39A2459



DISC CHORDAL SWING Ø AT THE VALVE FACE IS 11.81
TOTAL VALVE WEIGHT: 925 LBS ±10%

UNLESS OTHERWISE SPECIFIED:
UNIT OF MEASURE: INCHES
ENVELOPE DIMENSIONS ARE ±.25



DIMENSIONS CERTIFIED CORRECT		BY <i>Kevin A. Lagerluth</i> DATE 7-22-83	
VALVE PRESS/TEMP RATING: ANSI B16.34-1977 CLASS 150			
CUST: GEORGIA POWER COMPANY		14" BODY	
P.O. NO.: PAV-206 VOGTLE UNIT 1		NT316-SR2-M3-9280	
ORDER NO.: 22B-XSAC03-NIT		BETTIS ACTUATED	
TAG NO.: 1HV-2626B, 1HV-2628B		CONTROL VALVE	
SERIAL NO.: 8669191, 8672365		CW TO CLOSE VALVE	
		SHAFT ROTATION	
		HORIZ PIPE, VERT SHAFT	
DATE	REVISIONS	DRAWN	ITEM 179, 181
7-8-83	A FIRST DWTM	WGR 7-8-83	
11-10-83	B REVISE FLOW	CHD KAL 7-22-83	DWG NO.
12-13-83	C REVISED ACCESS-ORY ORIENTATION	APVD JCD 8-4-83	39A2459
		SCALE	REV. C

TI APERTURE CARD

8605130327

PDR RIDS

8605130327

