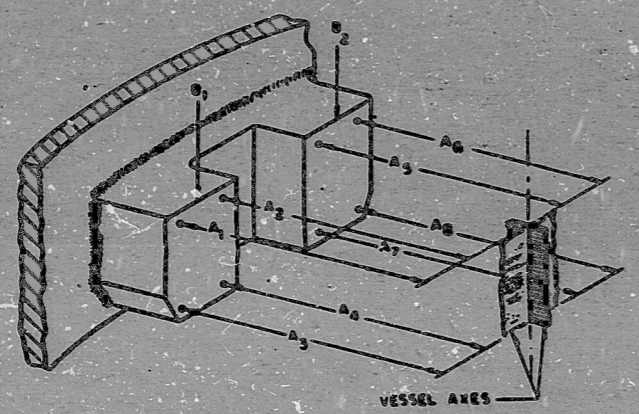
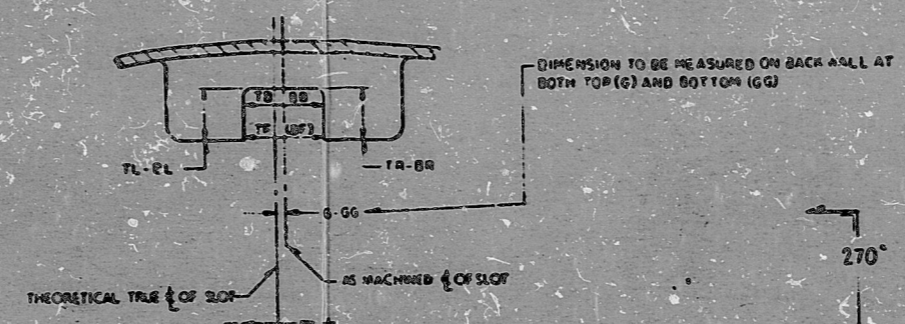


7246D76

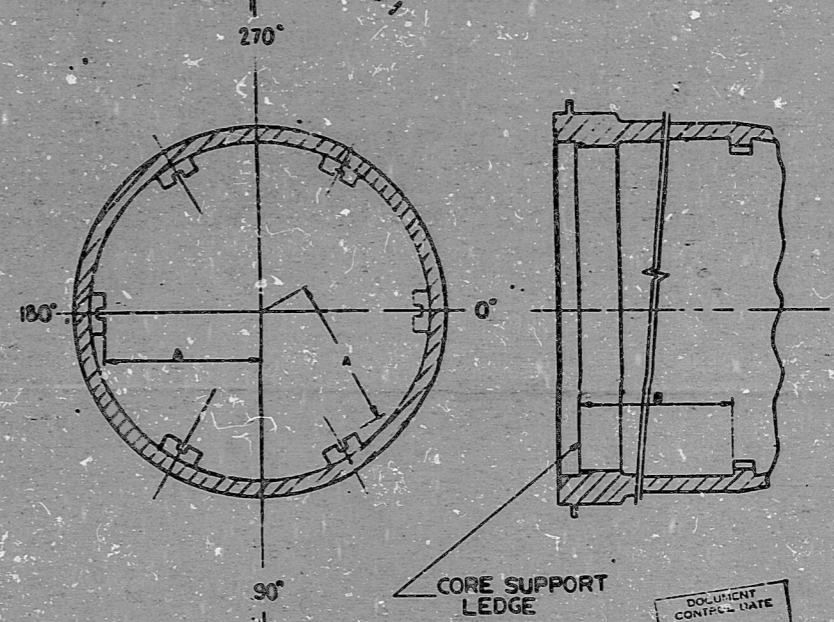
ANSTEC APERTURE CARD

FOR INFORMATION ONLY



WTRM	0°	60°	120°	180°	240°	300°
TOP FRONT (TF)	7.373	7.320	7.325	7.337	7.318	7.312
TOP BACK (TB)	7.369	7.327	7.327	7.336	7.316	7.312
BOTTOM FRONT (BF)	7.367	7.325	7.324	7.334	7.320	7.312
BOTTOM BACK (BB)	7.367	7.329	7.321	7.336	7.318	7.312

TOP RIGHT (TR)	4	4	4	4	4	4
TOP LEFT (TL)	4	4	4	4	4	4
BOTTOM RIGHT (BR)	4	4	4	4	4	4
BOTTOM LEFT (BL)	4	4	4	4	4	4



CLEVIS	A1	A2	A3	A4	A5	A6	A7	A8	B1	B2	G	GG
0°	78.16	78.16	78.16	78.16	78.16	78.16	78.16	78.16	311.16	311.16	-0.97	-0.67
60°	78.16	78.16	78.16	78.16	78.16	78.16	78.16	78.16	311.16	311.16	+0.08	+0.40
120°	78.16	78.16	78.16	78.16	78.16	78.16	78.16	78.16	311.16	311.16	+0.18	+0.58
180°	78.16	78.16	78.16	78.16	78.16	78.16	78.16	78.16	311.16	311.16	+0.19	+0.75
240°	78.16	78.16	78.16	78.16	78.16	78.16	78.16	78.16	311.16	311.16	+0.60	+0.75
300°	78.16	78.16	78.16	78.16	78.16	78.16	78.16	78.16	311.16	311.16	-0.16	-0.47

RM 1238
DN 14856

APPROVED
DUKE POWER CO.
DATE: FEB 1 1979
BY: MECHANICAL DESIGNER

REV	STATUS	DATE
01	AS BUILT	JAN 5 1979

DUKE POWER COMPANY
CATAMBA BUSHELL STATION
SPENT FUEL
PLANT: AS MANUFACTURED NO. CATAMBA-1779
DIVISION: E. S. HOWARD
CERTIFICATION LETTER NO. EP/SF-22354
ISSUE DATE: 10/28/78

NUCLEAR SAFETY RELATED
CNM2201.01-74 /4

1
DDP-105
7246D76
2
DDP-105
ECN: 2327D
TO TABLES
DARNOLD POLETS
SEPTEMBER 1978
W. J. ALLEN
10/28/78

DESIGNED BY	N. SHARRA	DATE	7/77
CHECKED BY	[Signature]	DATE	7/77
SCALE	AS BUILT		
PROJECT	SPENT FUEL		
DRAWING NO.	7246D76		
SHEET	4 OF 9		

PDR RLD3

9603180165

