

1.60-20

1.60-20

1.60-20

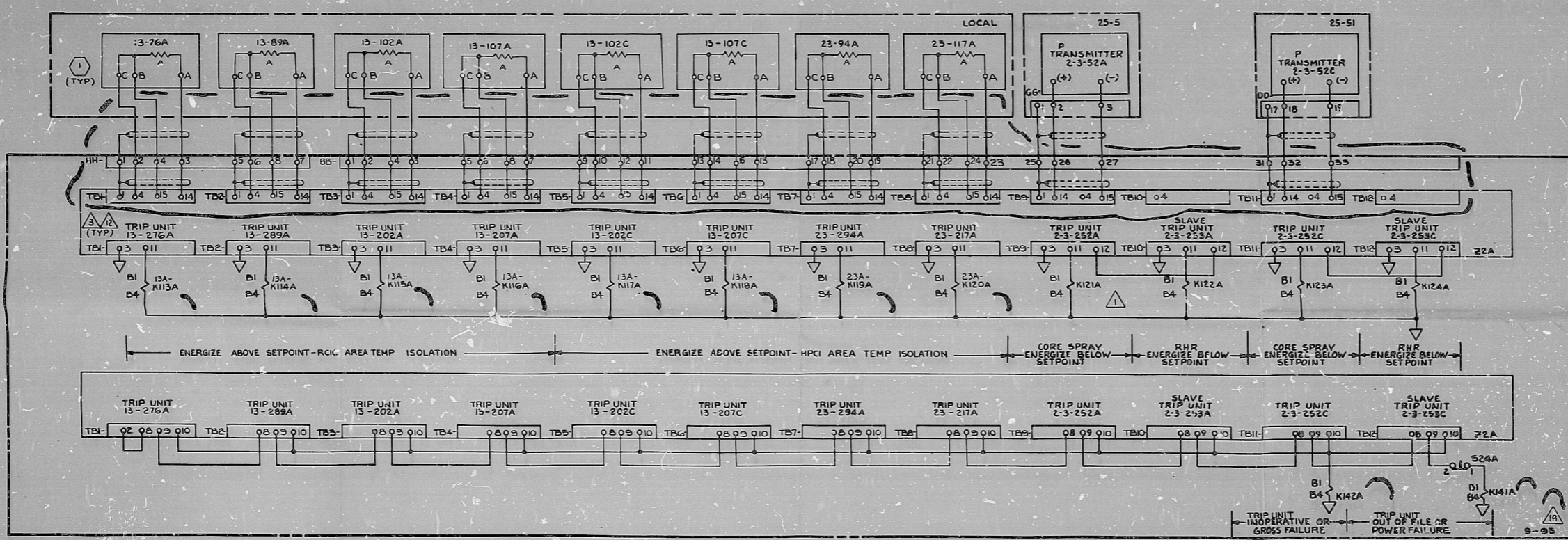
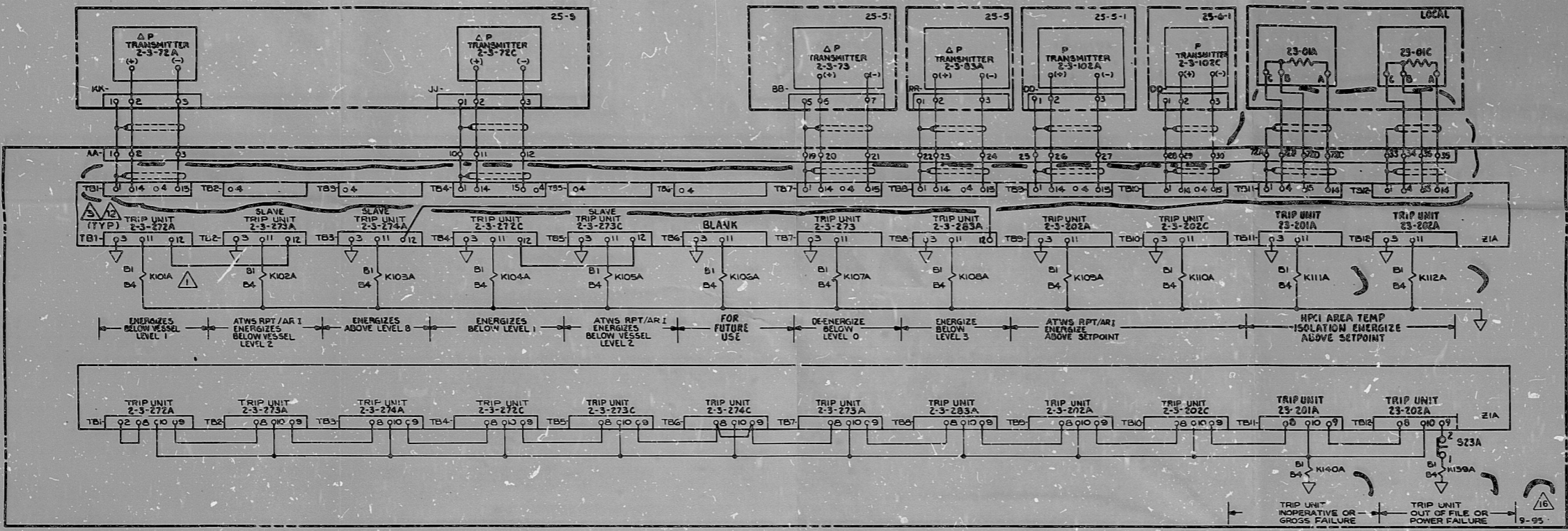
1.60-20

1.60-20

1.60-20

1.60-20

ANALOG TRIP SYSTEM  
FITZPATRICK



① DUAL TEMP ELEMENT RTD B IS AVAILABLE TO BE WIRED TO ACCESSIBLE TERMINAL BOARD BY CUSTOMER FOR SPARE (TYP FOR DIV I)

ECCS CHANNEL A/C, DIV. I

TI APERTURE CARD

REVISION	DATE	BY	DESCRIPTION
1	7-31-86	ENJ16544	REPLACEMENT REPRODUCIBLE AS-BUILT PER F-86-055
2	7-31-86	ENJ16544	
3	7-31-86	ENJ16544	
4	7-31-86	ENJ16544	
5	7-31-86	ENJ16544	
6	7-31-86	ENJ16544	
7	7-31-86	ENJ16544	
8	7-31-86	ENJ16544	
9	7-31-86	ENJ16544	
10	7-31-86	ENJ16544	
11	7-31-86	ENJ16544	
12	7-31-86	ENJ16544	

REVISION BY: BYPA  
 JAMES A FITZPATRICK NUCLEAR POWER PLANT  
 POWER AUTHORITY OF THE STATE OF NEW YORK  
 TITLE: ELEM DIAG ANALOG TRIP SYS ATTS  
 COMPONENT I.D. NO: PANELS 05-91 THRU 96  
 VENDOR: G.E.  
 VENDOR DWG. NO: 8581365 SH 5  
 FILE NO: 11603 1.60-20  
 REV: C

8806200080



PDR RIDS

8806200080

