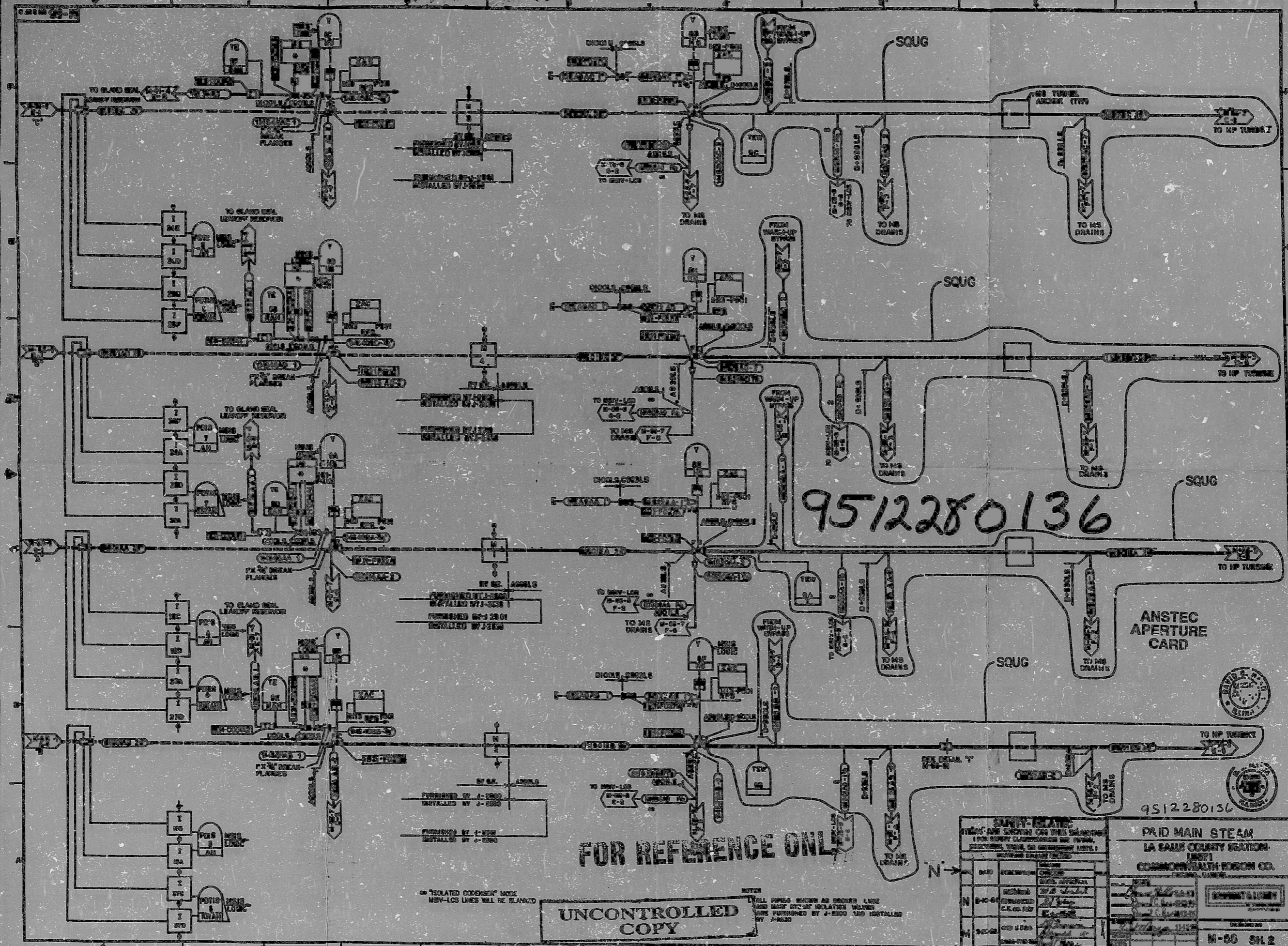


CRITICAL DRAWING



9512280136

ANSTEC APERTURE CARD

FOR REFERENCE ONLY

UNCONTROLLED COPY

ISOLATED CONDENSER MODE MSV-LCS LINES WILL BE BLANDED

NOTE ALL PIPING SHOWN AS BROKEN LINES AND SHOWN BY DASHED LINES ARE PURCHASED BY J-2500 AND INSTALLED BY J-2500

DATE	DESCRIPTION	BY	CHECKED
11-10-60	ISSUED	J. S. [Signature]	[Signature]
11-10-60	REVISION	J. S. [Signature]	[Signature]
11-10-60	REVISION	J. S. [Signature]	[Signature]

PRID MAIN STEAM  
LA SALIN COUNTY STATION  
UNIT 1  
COMMONWEALTH FERRON CO.  
FERRON, OHIO

M-56 SH. 2

CRITICAL DRAWING

**PDR RIDS**

**9512280136**

