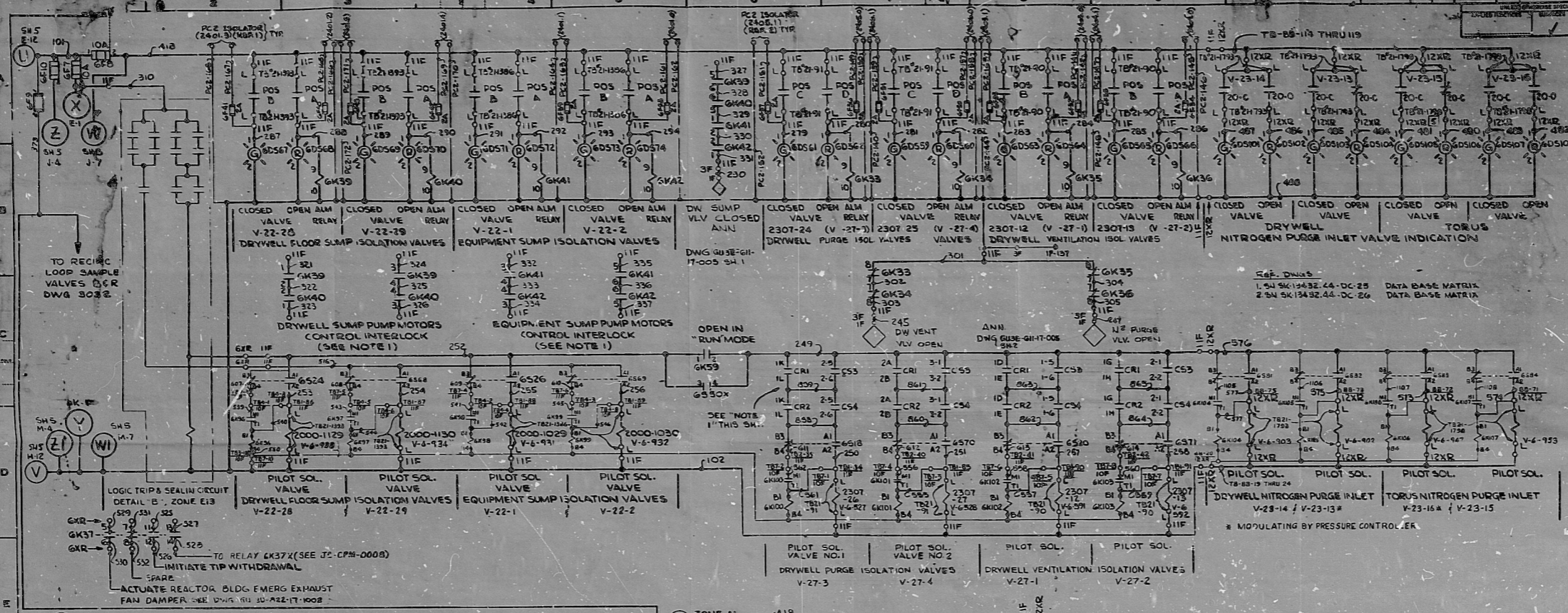
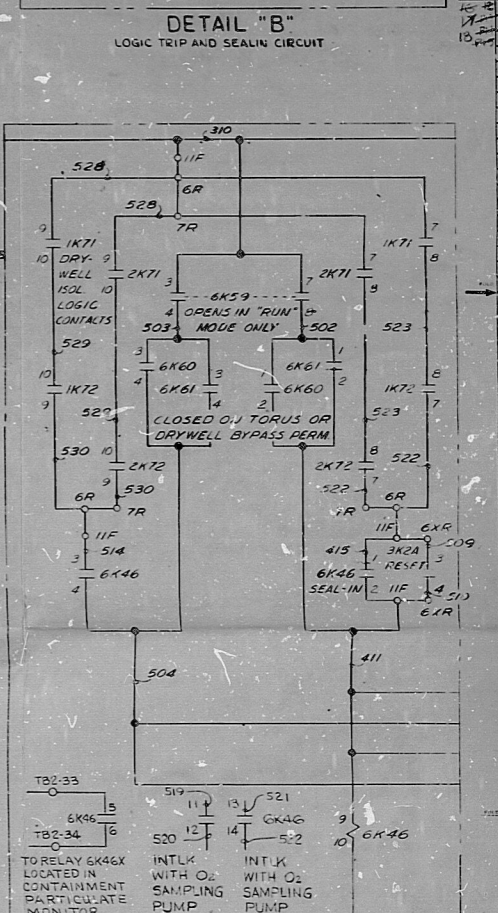
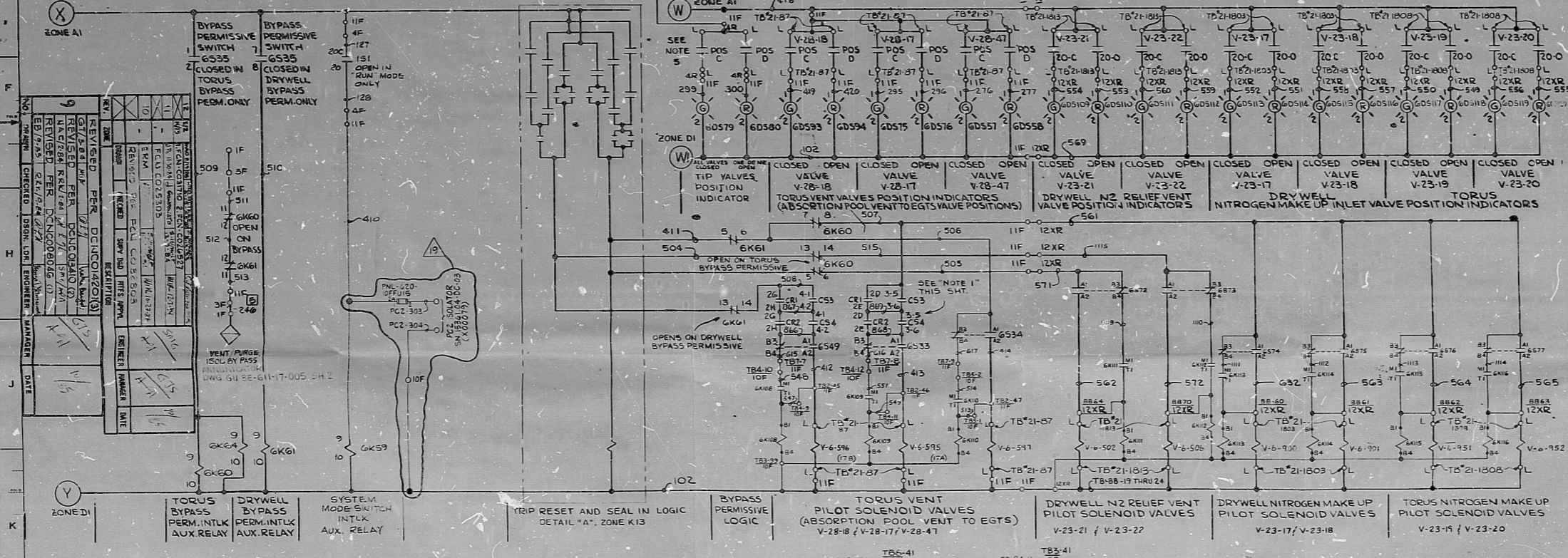
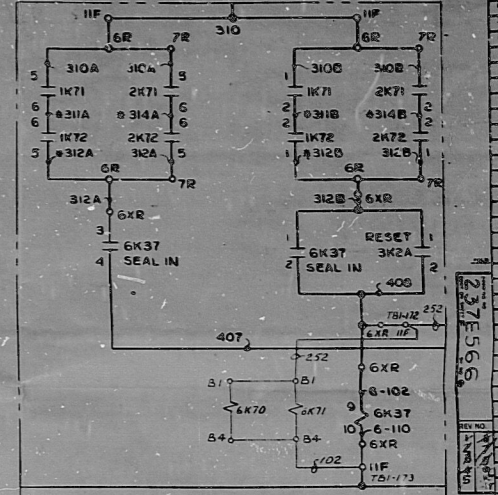


REACTOR PROTECTION SYSTEM



NO.	DESCRIPTION	DATE	BY	CHKD
1	ISSUED FOR CONSTRUCTION	11/15/73	W.A. JOSE	
2	REVISED TO REFLECT CHANGES TO TORUS NITROGEN PURGE INLET VALVE INDICATION	12/10/73	W.A. JOSE	
3	REVISED TO REFLECT CHANGES TO TORUS NITROGEN PURGE INLET VALVE INDICATION	1/10/74	W.A. JOSE	
4	REVISED TO REFLECT CHANGES TO TORUS NITROGEN PURGE INLET VALVE INDICATION	2/10/74	W.A. JOSE	
5	REVISED TO REFLECT CHANGES TO TORUS NITROGEN PURGE INLET VALVE INDICATION	3/10/74	W.A. JOSE	



NO.	DESCRIPTION	DATE	BY	CHKD
1	ISSUED FOR CONSTRUCTION	11/15/73	W.A. JOSE	
2	REVISED TO REFLECT CHANGES TO TORUS NITROGEN PURGE INLET VALVE INDICATION	12/10/73	W.A. JOSE	
3	REVISED TO REFLECT CHANGES TO TORUS NITROGEN PURGE INLET VALVE INDICATION	1/10/74	W.A. JOSE	
4	REVISED TO REFLECT CHANGES TO TORUS NITROGEN PURGE INLET VALVE INDICATION	2/10/74	W.A. JOSE	
5	REVISED TO REFLECT CHANGES TO TORUS NITROGEN PURGE INLET VALVE INDICATION	3/10/74	W.A. JOSE	

NO.	DESCRIPTION	DATE	BY	CHKD
1	ISSUED FOR CONSTRUCTION	11/15/73	W.A. JOSE	
2	REVISED TO REFLECT CHANGES TO TORUS NITROGEN PURGE INLET VALVE INDICATION	12/10/73	W.A. JOSE	
3	REVISED TO REFLECT CHANGES TO TORUS NITROGEN PURGE INLET VALVE INDICATION	1/10/74	W.A. JOSE	
4	REVISED TO REFLECT CHANGES TO TORUS NITROGEN PURGE INLET VALVE INDICATION	2/10/74	W.A. JOSE	
5	REVISED TO REFLECT CHANGES TO TORUS NITROGEN PURGE INLET VALVE INDICATION	3/10/74	W.A. JOSE	

8805060285

PDR RIDS

8805060285

