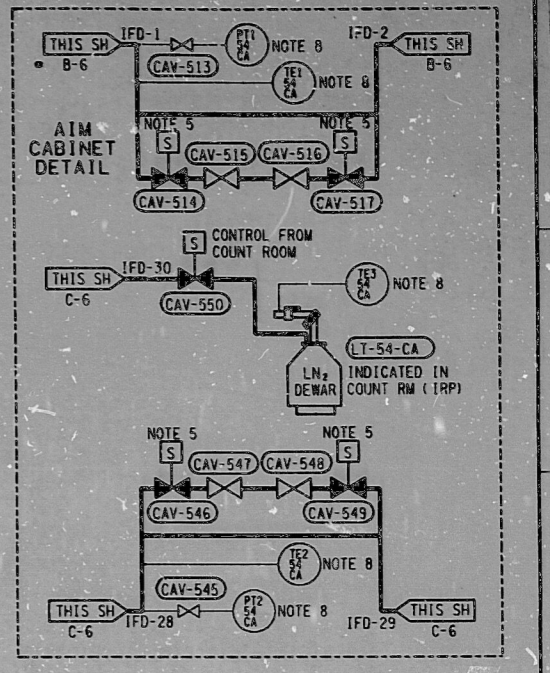
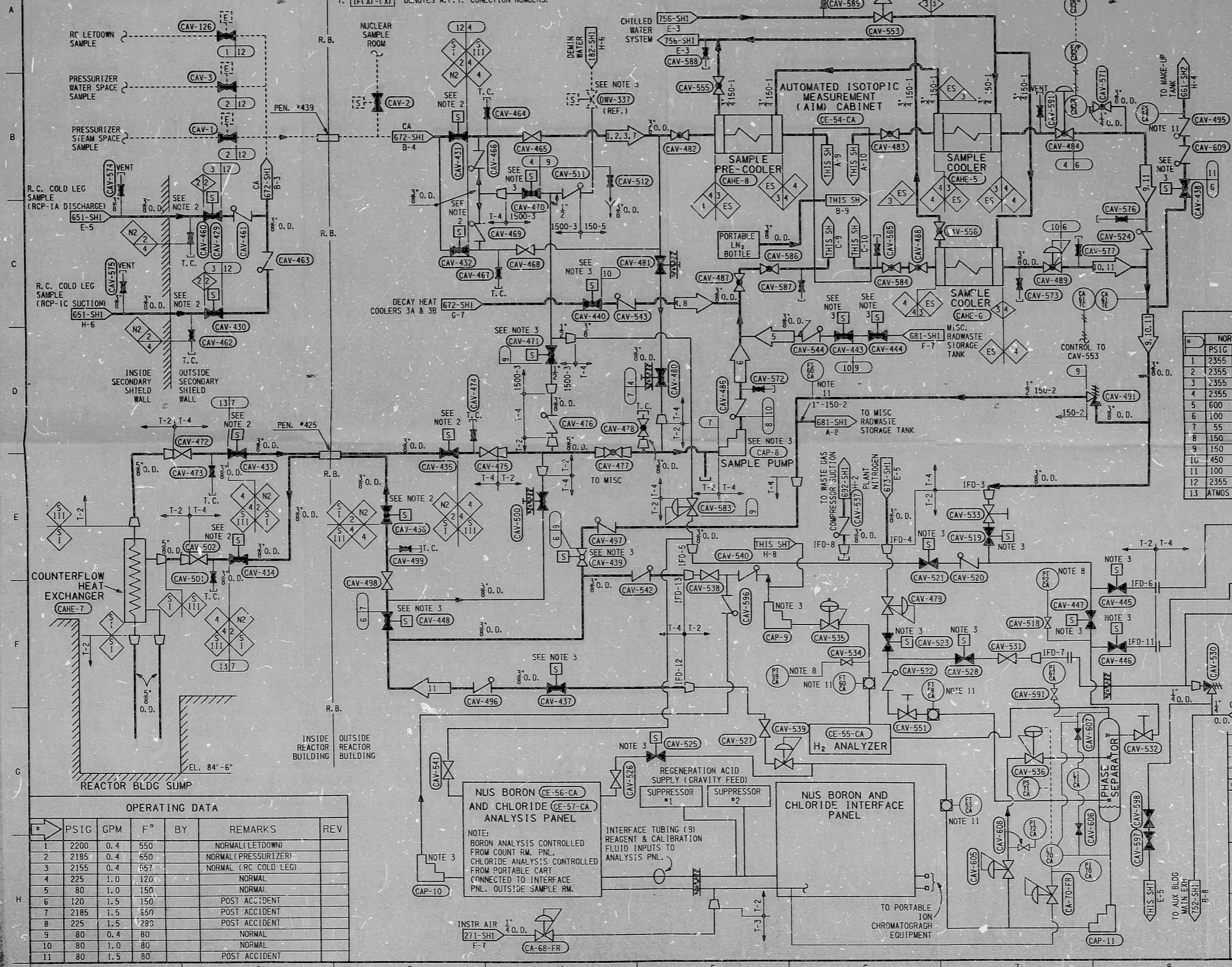


- NOTES:
1. ALL TUBING SHALL BE LINE SPECIFICATION AS SHOWN.
  2. CONTROLLED AND INDICATED IN MAIN CONTROL RM.
  3. CONTROLLED AND INDICATED IN COUNT RM. (MIMIC PNL)
  4. OMITTED
  5. VALVES CONTROLLED BY ND 6685 OR MANUAL OVERRIDE IN COUNT RM.
  6. FOR SOLENOID VALVE OPERATION LOGIC, SEE DRAWINGS (S) S-203-010, CA-49 THRU CA-56.
  7. (IFLX)-(IX) DENOTES A.P.T. CONNECTION NUMBERS.
  8. INDICATED BY ND 6685
  9. REMOTE SET POINT CONTROL FROM HAND/AUTO STATION IN COUNT RM.
  10. HYDROTEST PRESSURE DOWNSTREAM OF CAV-484 TO BE 225 PSIG.
  11. INDICATED IN COUNT RM. (MIMIC PNL)



DESIGN DATA

#	NORMAL PSIG	F°	UPSET PSIG	F°	TIME	HYDRO	BY	REMARKS	REV
1	2355	600	2500	670	<1%	N/A			
2	2355	670	2500	670	<1%	N/A			
3	2355	650	2500	670	<1%	3125			
4	2355	670	2500	670	<1%	3750			
5	600	150	2500	670	<1%	3750			
6	100	150	450	300	<1%	675		SEE NOTE 10	
7	55	300	55	300	<1%	69			
8	150	150	150	300	<1%	225			
9	150	150	150	150	<1%	225			
10	450	300	450	300	<1%	675			
11	100	200	100	200	<1%	150			
12	2355	670	2500	670	<1%	3125			
13	ATMOS	300	55	300	<1%	ATMOS			

OPERATING DATA

#	PSIG	GPM	F°	BY	REMARKS	REV
1	2200	0.4	550		NORMAL (LETDOWN)	
2	2185	0.4	550		NORMAL (PRESSURIZER)	
3	2155	0.4	557		NORMAL (RC COLD LEG)	
4	225	1.0	120		NORMAL	
5	80	1.0	150		NORMAL	
6	120	1.5	150		POST ACCIDENT	
7	2185	1.5	550		POST ACCIDENT	
8	225	1.5	285		POST ACCIDENT	
9	80	0.4	80		NORMAL	
10	80	1.0	80		NORMAL	
11	80	1.5	80		POST ACCIDENT	

MAR IN PROGRESS

TI APERTURE CARU

INFORMATION ONLY

FROM MOISTURE SEPARATOR CONTAINMENT 693-SHI

REVISIONS

NO.	REVISIONS	BY	CHECKED	APPROVED	DATE
08	REVISED PER DCN 87-189	SWM	DJW	EMM	11-27-87
07	REVISED PER DCN 87-144	SWM	AJJ	EMM	8-12-87
06	AS-BUILT PER MAR 82-02-27-01	SWM	RER	JRM	7-28-86
05	REVISED PER DCN 85-173	SWM	GJC	JEC	11-27-85

FLORIDA POWER CORPORATION

ST. PETERSBURG, FLORIDA

UNIT NO. 3 CRYSTAL RIVER PLANT 855,000 KW

NUCLEAR PIPING C.A. SYSTEM FLOW DIAGRAM

POST-ACCIDENT SAMPLING SYSTEM

151 AND ORIGINAL DESIGN BASIS CODE CLASSES

REDRAWN ON CAD SYSTEM

DRAWN BY: D.F.B. DATE: 04-19-83

CHECKED BY: R.N.B. DATE: 07-21-83

CHECK VERIFIED: R.J.B. DATE: 07-21-83

BAYMONT ENGINEERING COMPANY

FD-302-700 SHEET 01 OF 01

SCALE DRAWING NUMBER REV.

PDR RIDS

8901070358

