

22"

17"

11"

8.5"

8.5"

11"

17"

22"

22"

17"

11"

8.5"

8.5"

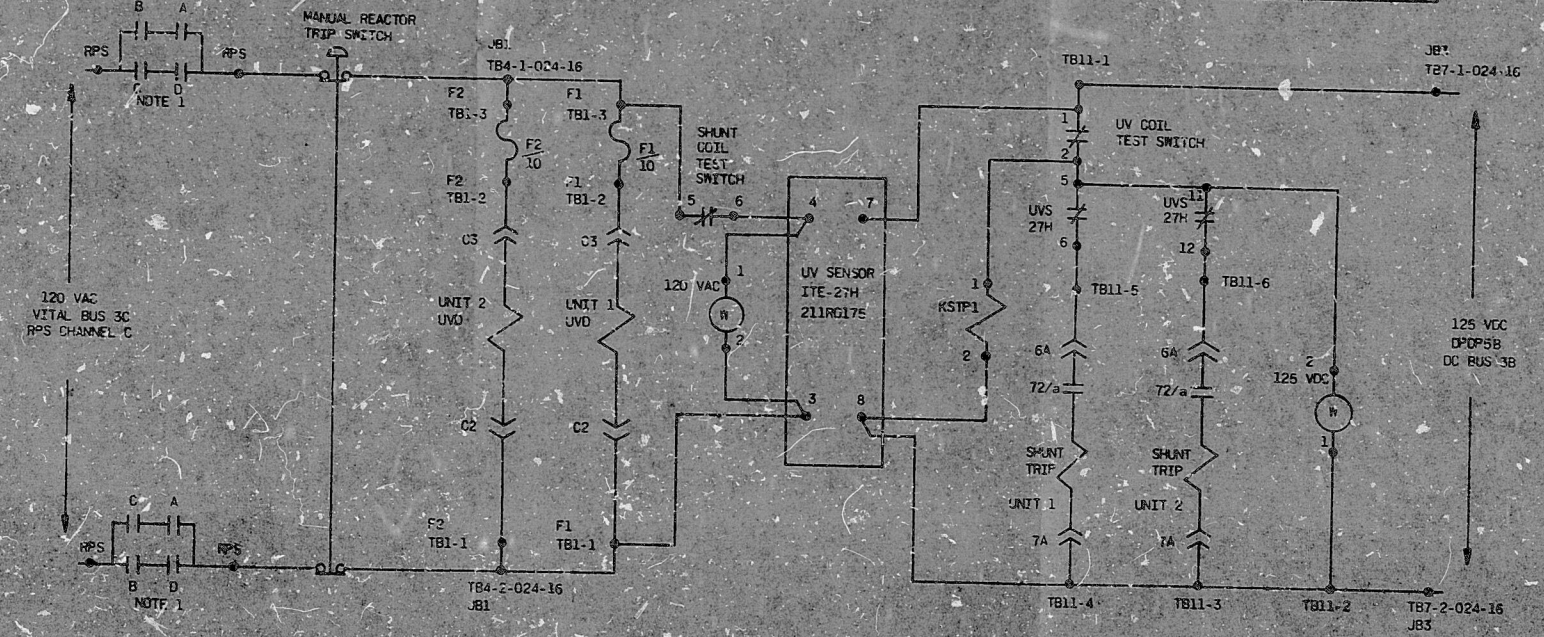
11"

17"

22"

SHUNT COIL TEST SWITCH DEVELOPMENT		UNIT 1 TEST	UNIT 2 TEST
DECK 1	10-1-1-02	X	X
DECK 1	30-1-1-04	X	X
DECK 2	50-1-1-06	X	X
DECK 2	70-1-1-08	X	X

UV COIL TEST SWITCH DEVELOPMENT		UNIT 1 TEST	UNIT 2 TEST
DECK 1	10-1-1-02	X	X
DECK 1	30-1-1-04	X	X
DECK 2	50-1-1-06	X	X
DECK 2	70-1-1-08	X	X



NOTES  
 1. RPS CONTACTS OPEN TO TRIP CRD BREAKERS

NOT NUCLEAR SAFETY RELATED

NUCLEAR SAFETY RELATED SH OR-04

TI APERTURE CARD  
 KSTIP1  
 ALARM CONTACT CLOSURES ON LOSS OF 125 VDC POWER

DATE: 11/11/72	BY: J. J. [unclear]	REVISION: 1
ELEMENTARY DIAGRAM DC BREAKER SHUNT TRIP UNIT 1 & 2		
8408060213		



PDR RIDS

840 8060213

