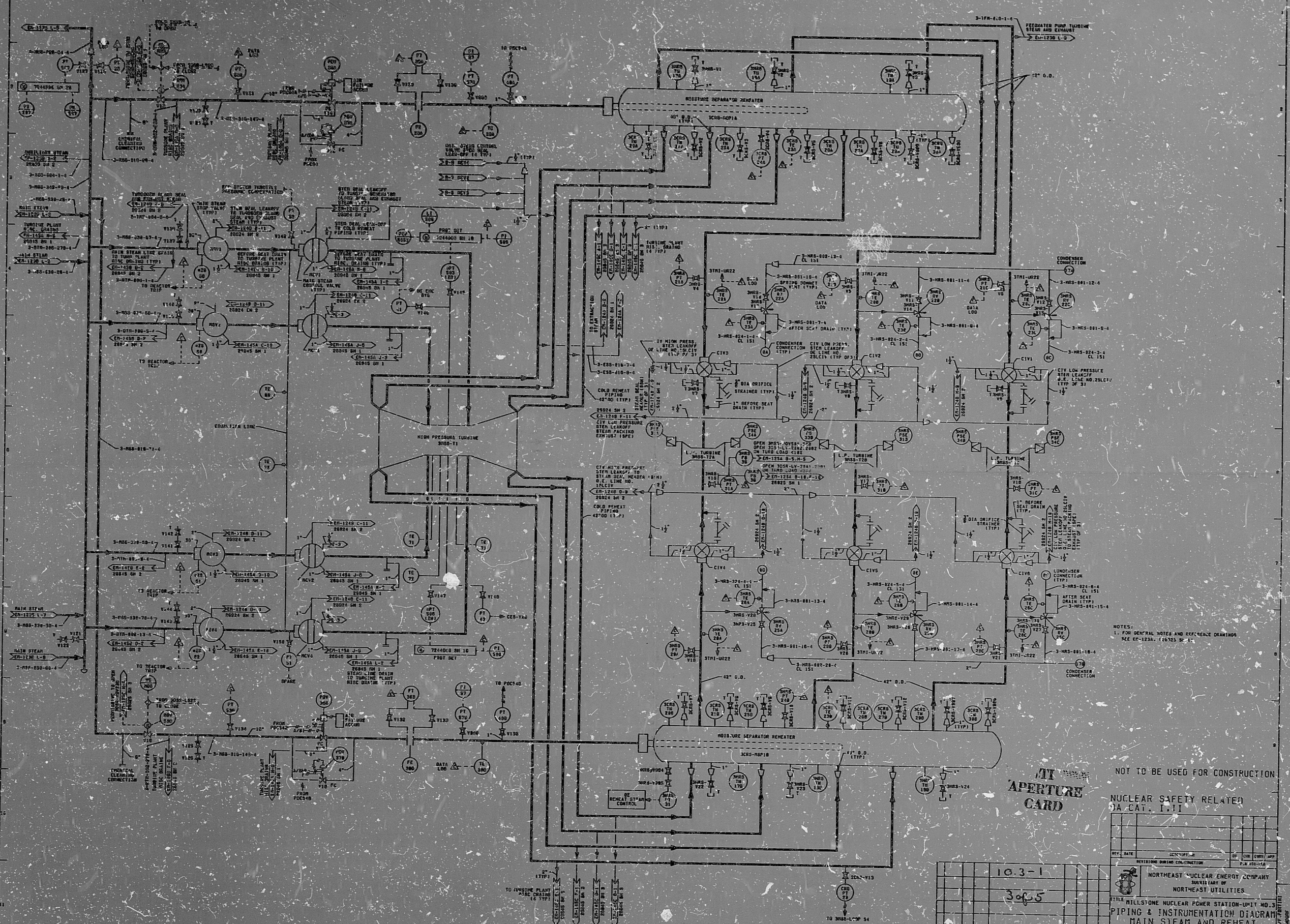


12179-EN-123C-1



NOTES:
 1. FOR GENERAL NOTES AND REFERENCE DRAWINGS
 SEE REF-123A (16723) 30-1

MT
 APERTURE
 CARD

NOT TO BE USED FOR CONSTRUCTION
 NUCLEAR SAFETY RELATED
 JA CAT. I.11

10.3-1
 3 of 5

REV. DATE	DESCRIPTION	BY	CHKD	APP

REVISIONS DURING CONSTRUCTION

NORTHEAST NUCLEAR ENERGY COMPANY
 DIVISION OF
 NORTHEAST UTILITIES

TITLE HILLSTONE NUCLEAR POWER STATION-UNIT NO. 3
 PIPING & INSTRUMENTATION DIAGRAM
 MAIN STEAM AND REHEAT

SCALE NONE

DATE 7-2-68

PROJECT 75212-28822 SH 3 OF 4

STONE & MERRIFIELD ENGINEERING CORPORATION
 BOSTON, MASS.

S&W DWG NO 12179-EN-123C-1

DRAWN BY J.C. ROBBINSON

CHECKED BY R.T. LAM

THE INFORMATION ON THIS DRAWING HAS NOT BE
 COPIED OR USED FOR OTHER THAN THE CONSTRUCTION
 PURPOSES AND SHOULD BE DESTROYED UPON COMPLETION
 DESCRIBED IN THE TITLE BLOCK.

PDR RIDS

8406020426

