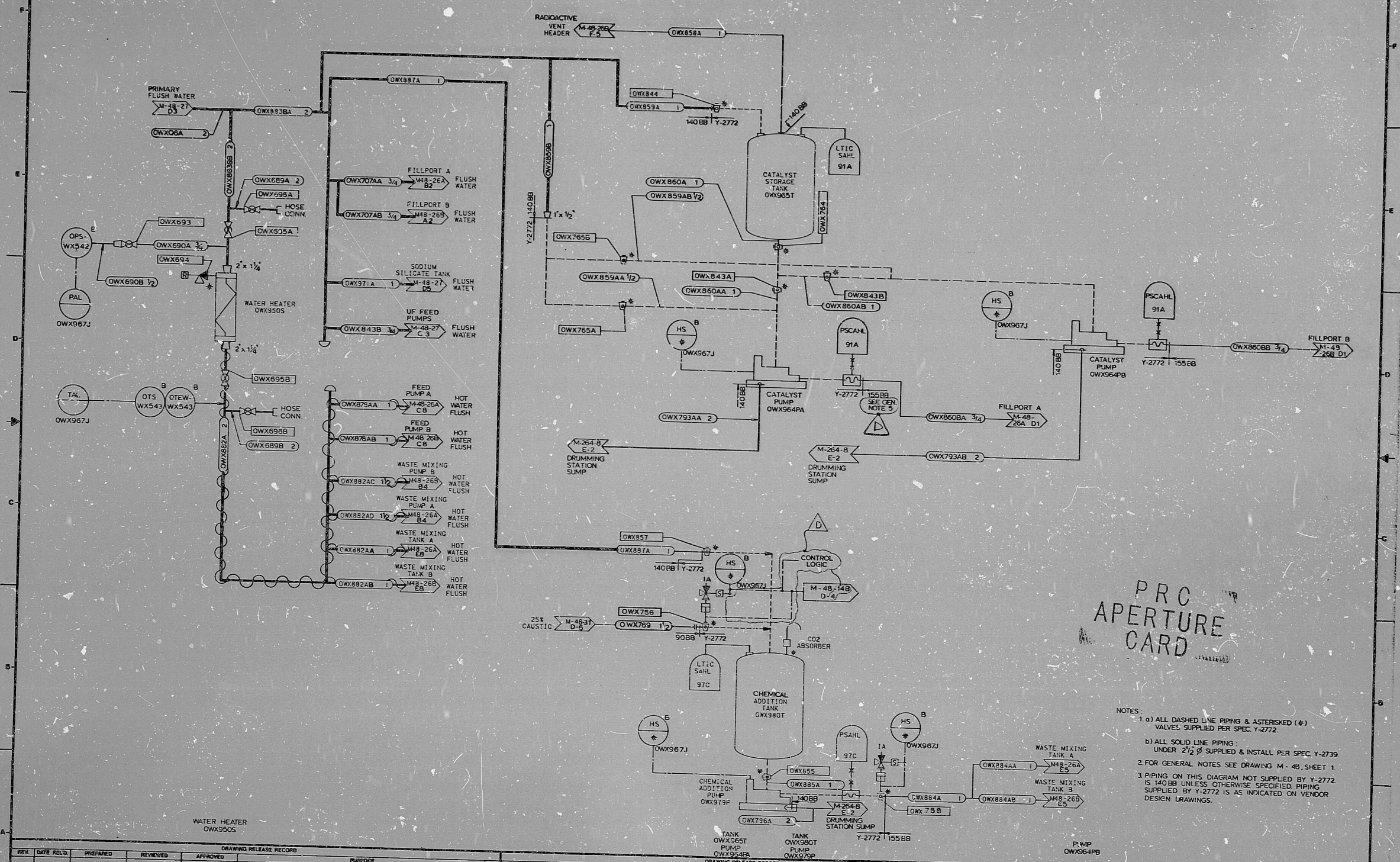


DWG NO. M-48-268  
 DATE 01-03-80  
 FILE NO. 3140



PRC  
 APERTURE  
 CARD

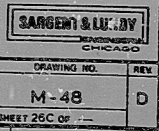
- NOTES:
- 1) ALL DASHED LINE PIPING & ASTERISKED (\*) VALVES SUPPLIED PER SPEC. Y-2772.
  - 2) ALL SOLID LINE PIPING UNDER 2 1/2" SUPPLIED & INSTALL PER SPEC. Y-2739.
  - 3) FOR GENERAL NOTES SEE DRAWING M-48, SHEET 1.
  - 4) PIPING ON THIS DIAGRAM NOT SUPPLIED BY Y-2772 IS 140BB UNLESS OTHERWISE SPECIFIED. PIPING SUPPLIED BY Y-2772 IS AS INDICATED ON VENDOR DESIGN DRAWINGS.

| REV. | DATE     | FIELD | PREPARED     | REVIEWED        | APPROVED  | PURPOSE  |
|------|----------|-------|--------------|-----------------|-----------|--|
| A    | 2-29-79  |       | R. A. Wilson | J. M. [unclear] | [unclear] | INITIAL ISSUE - FOR FAB & CONSTR. PER SPEC. Y-2739.    |
| B    | 8-30-79  |       | R. A. Wilson | J. M. [unclear] | [unclear] | GENERAL REVISION - FOR FAB & CONSTR. PER SPEC. Y-2739. |
| C    | 10-22-80 |       | R. A. Wilson | J. M. [unclear] | [unclear] | GENERAL REVISION - FOR FAB & CONSTR. PER SPEC. Y-2739. |
| D    | 08-11-81 |       | R. A. Wilson | J. M. [unclear] | [unclear] | GENERAL REVISION - FOR FAB & CONSTR. PER SPEC. Y-2739. |

| REV. | DATE     | FIELD | PREPARED     | REVIEWED        | APPROVED  | PURPOSE  |
|------|----------|-------|--------------|-----------------|-----------|--|
| A    | 2-29-79  |       | R. A. Wilson | J. M. [unclear] | [unclear] | INITIAL ISSUE - FOR FAB & CONSTR. PER SPEC. Y-2739.    |
| B    | 8-30-79  |       | R. A. Wilson | J. M. [unclear] | [unclear] | GENERAL REVISION - FOR FAB & CONSTR. PER SPEC. Y-2739. |
| C    | 10-22-80 |       | R. A. Wilson | J. M. [unclear] | [unclear] | GENERAL REVISION - FOR FAB & CONSTR. PER SPEC. Y-2739. |
| D    | 08-11-81 |       | R. A. Wilson | J. M. [unclear] | [unclear] | GENERAL REVISION - FOR FAB & CONSTR. PER SPEC. Y-2739. |

SCALE: NONE  
 PROJECT NUMBER: 3308-70  
 3923-07  
 DIAGRAM OF RADWASTE SOLIDIFICATION SYSTEM  
 MARBLE HILL  
 NUCLEAR GENERATING STATION  
 UNITS 1 & 2  
 PUBLIC SERVICE INDIANA  
 PLAINFIELD, INDIANA

SHEET 26C OF 26





8305060704

RIDS

