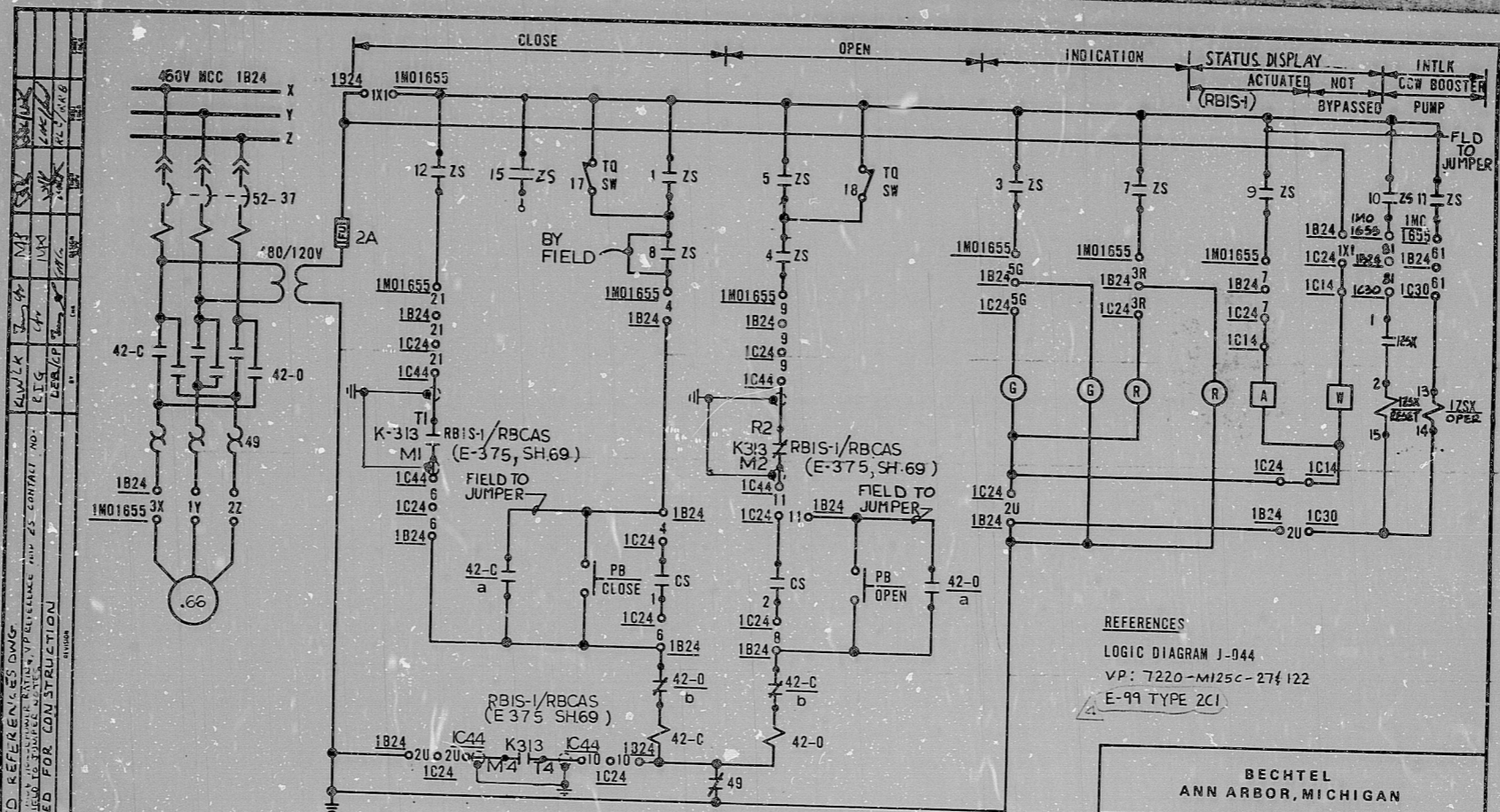


This drawing and the design it covers are the property of BECHTEL. They are hereby loaned and on the borrower's express agreement that they will not be reproduced, copied, loaned, lent, sold, or used except in the limited way and private use permitted by any written consent given by the lender to the borrower.



DEVICE TABLE

1ZSX:	AUX RELAY GE TYPE HFA
RBIS-1:	REACTOR BLDG ISOLATION SIGNAL-1
FU:	FUSE (AMP-TRAP A6Y1-2A)
RBCAS:	REACTOR BLDG CLG ACT. SYS.
K1&K2:	ISOLATION RELAYS

SCHEME 1B2437
SU, DESIG, IEGA

TERA
APERTURE
GARD

- REFERENCES**
- LOGIC DIAGRAM J-044
 - VP: 7220-M125C-274 122
 - E-99 TYPE 2C1

BECHTEL ANN ARBOR, MICHIGAN		
MIDLAND PLANT UNITS 1 & 2 CONSUMERS POWER COMPANY		
SCHEMATIC DIAGRAM CCW REACTOR BUILDING ISOLATION VALVES		
JOB No.	DRAWING No.	REV.
7220	E-213(Q) SH 5	4

I certify that the image contained on this frame was made in the normal and regular course of business, on the date stated below and that it is an accurate reproduction of the document submitted to reprographics.

DATE: 2-18-81
CAMERA OPERATOR: P. Caville
SUPERVISOR OF REPROGRAPHICS: [Signature]

16X

RIDS

8/11/3007

