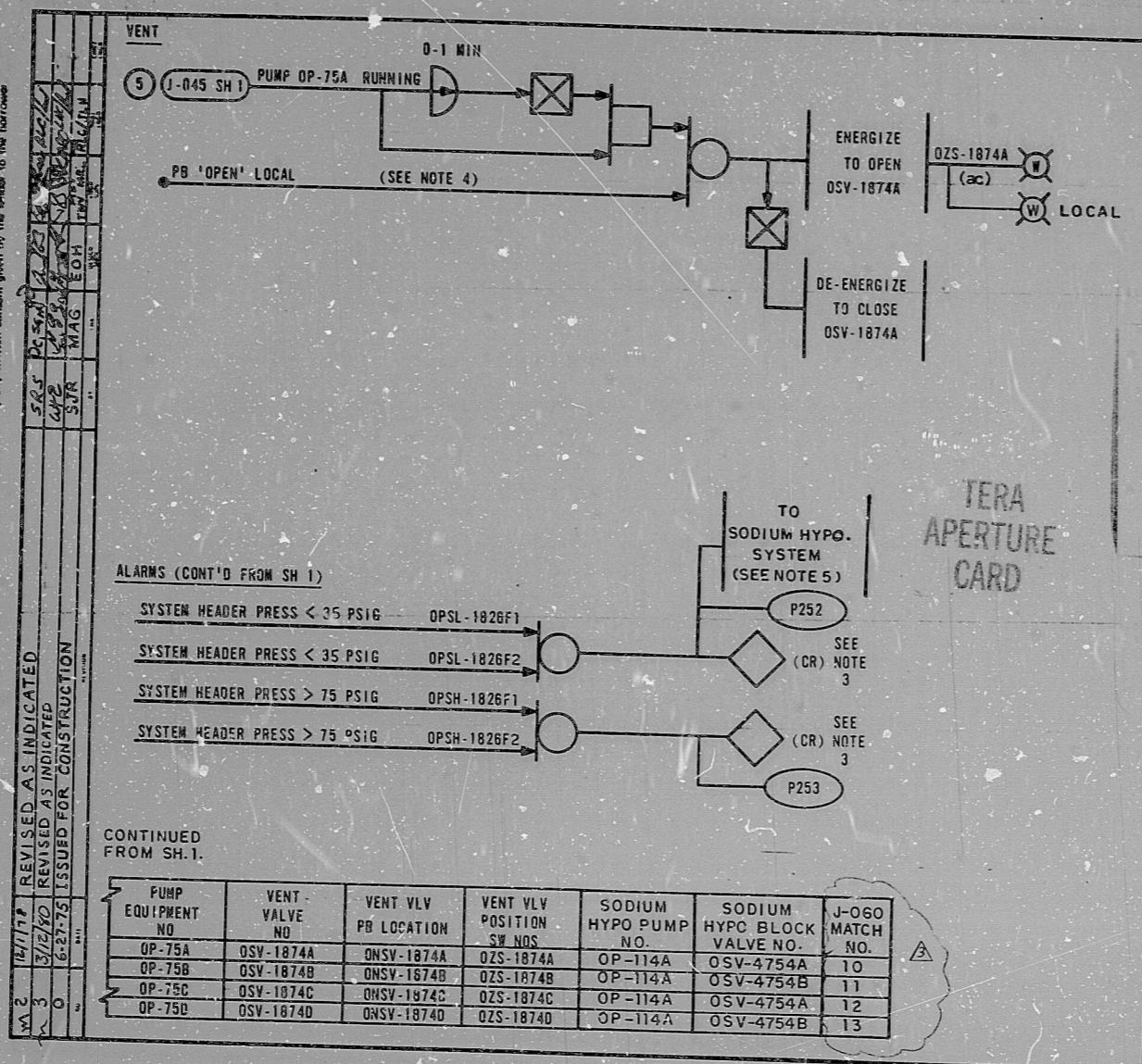


This drawing and the design it covers are the property of BECHTEL. They are hereby loaned to you on the borrower's express agreement that they will not be reproduced, copied, stored, exhibited, or used except in the limited way and precise use permitted by any written consent given by the lender to the borrower.



16X

I CERTIFY THAT THE IMAGE CONTAINED ON THIS FRAME WAS MADE IN THE NORMAL AND REGULAR COURSE OF BUSINESS, ON THE DATE STATED BELOW AND THAT IT IS AN ACCURATE REPRODUCTION OF THE DOCUMENT SUBMITTED TO REPROGRAPHICS.

3-14-80 DATE
 M. Corcey CAMERA OPERATOR
 J. J. Williams SUPERVISOR OF REPROGRAPHICS

- NOTES
3. ONE ALARM FOR EACH SERVICE WATER LOOP A & B.
 4. OPERATOR MUST HOLD PB UNTIL VENTING IS COMPLETED.
 5. SEE VENDOR DWG. 7220-M34-62(1)-2.

BECHTEL ANN ARBOR, MICHIGAN		
MIDLAND PLANT UNITS 1 & 2 CONSUMERS POWER COMPANY		
LOGIC DIAGRAM SERVICE WATER PUMP		
JOB No.	DRAWING No.	REV.
7220	J-045(Q) SH 3 OF 3	3

CONTINUED FROM SH.1.

PUMP EQUIPMENT NO.	VENT VALVE NO.	VENT VLV PB LOCATION	VENT VLV POSITION SW NOS.	SODIUM HYPO PUMP NO.	SODIUM HYPO BLOCK VALVE NO.	J-060 MATCH NO.
OP-75A	OSV-1874A	ONSV-1874A	OZS-1874A	OP-114A	OSV-4754A	10
OP-75B	OSV-1874B	ONSV-1874B	OZS-1874B	OP-114A	OSV-4754B	11
OP-75C	OSV-1874C	ONSV-1874C	OZS-1874C	OP-114A	OSV-4754A	12
OP-75D	OSV-1874D	ONSV-1874D	OZS-1874D	OP-114A	OSV-4754B	13

TERA
APERTURE
CARD

RIDS

811120901

