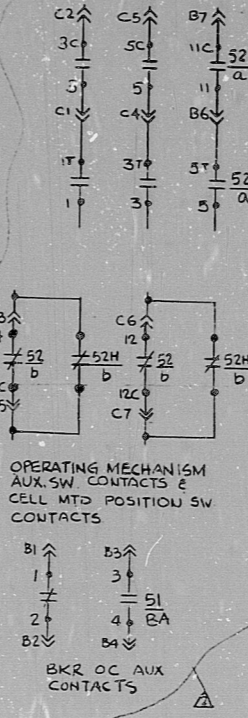
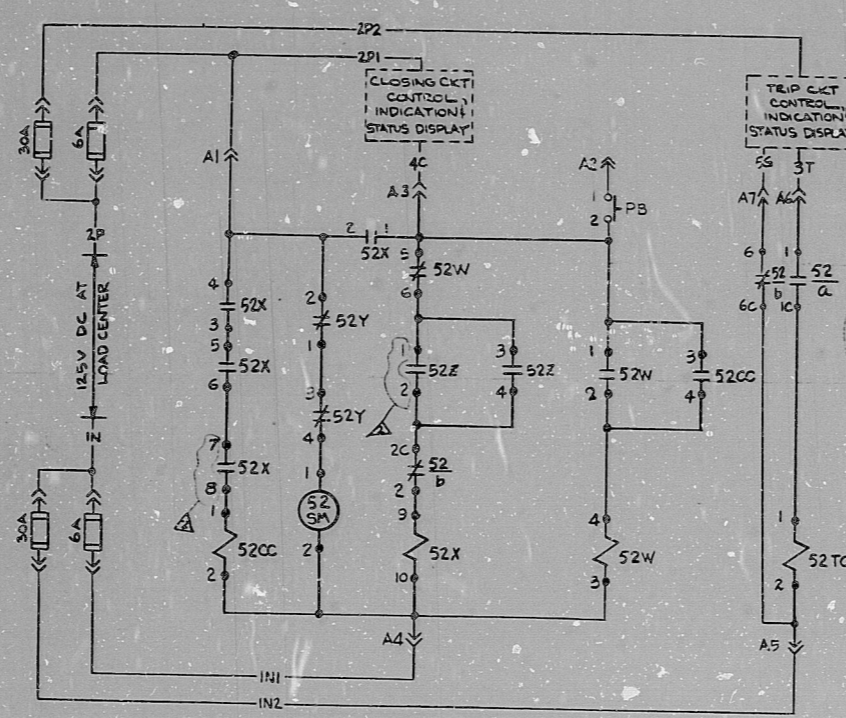


This drawing and the design it covers are the property of BECHTEL. They are hereby loaned and on the borrower's express agreement that they will not be reproduced, copied, loaned, exhibited, or used except in the limited way and extent permitted by any written consent given by the lender to the borrower.

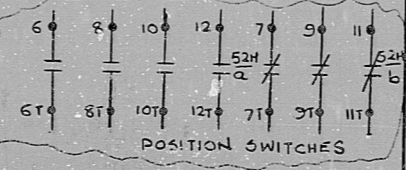
NO.	DATE	BY	CHKD	REVISION
3-25-76				ADDED CONTACT NOS. & REVISED BREAKER AUX CONTACTS
12-4-75				ISSUED FOR CONSTRUCTION
2	11/17			REVISED & REISSUED

REFERENCES  
VP-ES-23-24



- DEVICES:**
- 52SM - SPRING CHARGING MOTOR
  - 52W - CONTROL RELAY LOCKOUT (ANTI-PUMP RELAY)
  - 52 - AC CIRCUIT BREAKER
  - 52CC - CLOSING LATCH RELEASE COIL
  - 52X - CONTROL RELAY
  - 52TC - TRIP COIL
  - 52Z - LIMIT SWITCH CONTACT, ACTUATED BY SPRING CHARGING MECHANISM
  - 52/a, 52/b - MECHANISM OPERATED AUX SW CONTACTS
  - 52W/a, 52W/b - CELL MOUNTED AUX SW, ACTUATED BY THE POSITION OF THE REMOVABLE ELEMENT, DEVICE 52
  - 51 - BREAKER OVERCURRENT AUX CONTACT OPERATES ON AUTOMATIC BKR TRIP

TYPICAL 480V BREAKER INTERNAL SCHEMATIC  
MOTOR OPERATED-STORED ENERGY  
(1600A)



- SCHEMATIC SHOWN FOR BKR IN WITHDRAWN POSITION & SPRING NOT CHARGED.
- ALL BREAKERS HAVE AN ELECTRICAL CLOSE PB & A MECHANICAL TRIP PB AT THE LOAD CENTER.

BECHTEL ANN ARBOR, MICHIGAN		
MIDLAND PLANT UNITS 1 & 2 CONSUMERS POWER COMPANY		
SCHEMATIC DIAGRAM TYPICAL 480V CIRCUIT BREAKER INTERNAL SCHEMATIC		
JOB No.	DRAWING No.	REV.
7220	E-72 SH 1	2

TERA  
APERTURE  
CARD

RIDS

811120891

