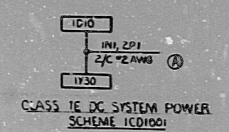


ADAPTER TABLE

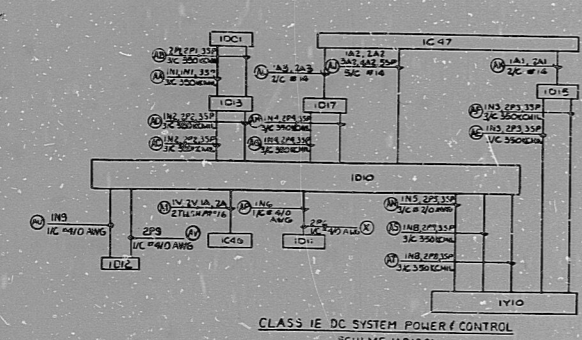
UNIT	CHANNEL C	SCHEME NO	LOCATION	NO. OF
1	CHANNEL C	1E1001	1E100	1-1-1
1	CHANNEL D	1E1001	1E100	1-1-1
2	CHANNEL C	1E1001	1E100	2-2-2
2	CHANNEL D	1E1001	1E100	2-2-2



- NOTES:
1. METER BRUNFIELD TYPE C5436-6000 WITH AN ADJUSTABLE PICK UP RANGE OF 9E-140V AND AN ADJUSTABLE DROP OUT RANGE OF 90-135V (TO BE REVISED BY FIELD) REFER TO DRAW E-55
 2. INTERCONNECTING CABLES BETWEEN DIFFERENT UNIT CHANNELS SHOWN AS GIBBS SUPPLIED BY CUSTOMER (EVA 7200 C-10-MET. LEAD NO. P172356-7204) SHOULD BE FIELD ROUTED USING 2-3C 150 MCM CABLES.
 3. METER TEST STAND FOR PORTABLE METER. FIELD TO PURCHASE AND INSTALL.

Q LIST ITEMS - ALL EQUIPMENT SHOWN ON THIS DRAWING IS CLASS 1E

30X



ADAPTER TABLE

SCHEME NO	LOCATION
CHANNEL A	1E1001
CHANNEL B	1E1001
CHANNEL C	1E1001
CHANNEL D	1E1001

ADAPTER TABLE

UNIT	SCHEME NO	EQUIP NO/D	ALARM	COMPUTER POINTS	COMP ID	ISOLATION	LOCATIONS
1	1E1001	1E1001/1E1001	50	60	1E100	1E100	1E100
2	1E1001	1E1001/1E1001	50	60	1E100	1E100	1E100

S/U DESIGNATION

SCHEME NO	CABLE NOS
1E1001	1-1-1, 1-1-2, 1-1-3, 1-1-4, 1-1-5, 1-1-6, 1-1-7, 1-1-8, 1-1-9, 1-1-10, 1-1-11, 1-1-12, 1-1-13, 1-1-14, 1-1-15, 1-1-16, 1-1-17, 1-1-18, 1-1-19, 1-1-20, 1-1-21, 1-1-22, 1-1-23, 1-1-24, 1-1-25, 1-1-26, 1-1-27, 1-1-28, 1-1-29, 1-1-30, 1-1-31, 1-1-32, 1-1-33, 1-1-34, 1-1-35, 1-1-36, 1-1-37, 1-1-38, 1-1-39, 1-1-40, 1-1-41, 1-1-42, 1-1-43, 1-1-44, 1-1-45, 1-1-46, 1-1-47, 1-1-48, 1-1-49, 1-1-50, 1-1-51, 1-1-52, 1-1-53, 1-1-54, 1-1-55, 1-1-56, 1-1-57, 1-1-58, 1-1-59, 1-1-60, 1-1-61, 1-1-62, 1-1-63, 1-1-64, 1-1-65, 1-1-66, 1-1-67, 1-1-68, 1-1-69, 1-1-70, 1-1-71, 1-1-72, 1-1-73, 1-1-74, 1-1-75, 1-1-76, 1-1-77, 1-1-78, 1-1-79, 1-1-80, 1-1-81, 1-1-82, 1-1-83, 1-1-84, 1-1-85, 1-1-86, 1-1-87, 1-1-88, 1-1-89, 1-1-90, 1-1-91, 1-1-92, 1-1-93, 1-1-94, 1-1-95, 1-1-96, 1-1-97, 1-1-98, 1-1-99, 1-1-100

CLASS 1E DC SYSTEM POWER CONTROL ISOLATION CIRCUITS FOR ANNUNCIATOR AND COMPUTER SCHEME 1E1001

NO.	DESCRIPTION	DATE	BY
1	ISSUED FOR CONSTRUCTION		
2	ISSUED FOR CONSTRUCTION		
3	ISSUED FOR CONSTRUCTION		
4	ISSUED FOR CONSTRUCTION		
5	ISSUED FOR CONSTRUCTION		
6	ISSUED FOR CONSTRUCTION		
7	ISSUED FOR CONSTRUCTION		
8	ISSUED FOR CONSTRUCTION		
9	ISSUED FOR CONSTRUCTION		
10	ISSUED FOR CONSTRUCTION		

BECHTEL
7200
MIDLAND PLANT UNITS 1 & 2
CONSUMERS POWER COMPANY
TWO LINE METER & RELAY DIAGRAM
CLASS 1E 125V DC SYSTEM
7200
E-58 (Q) 1 of 1
7

PIDS

811120889

