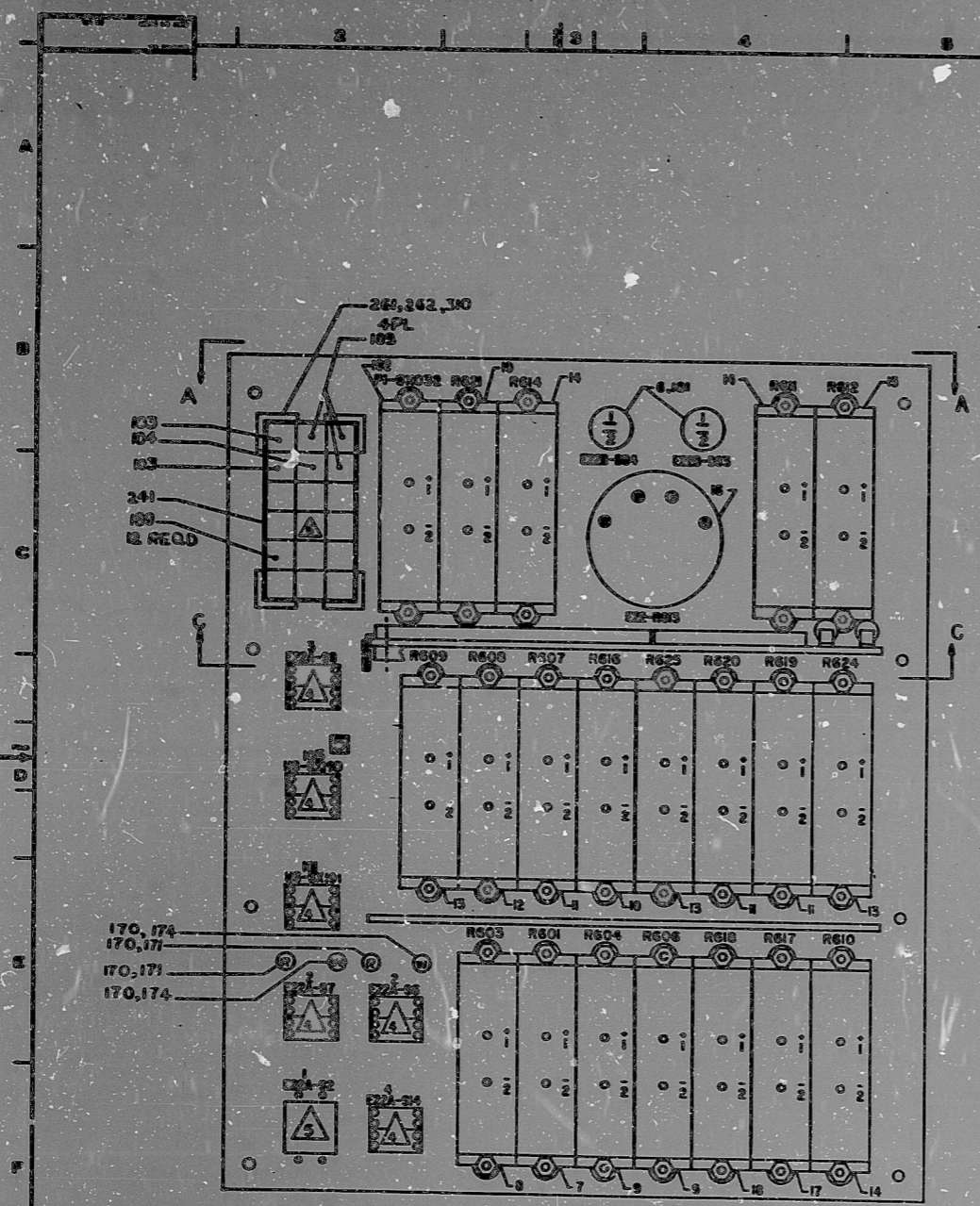
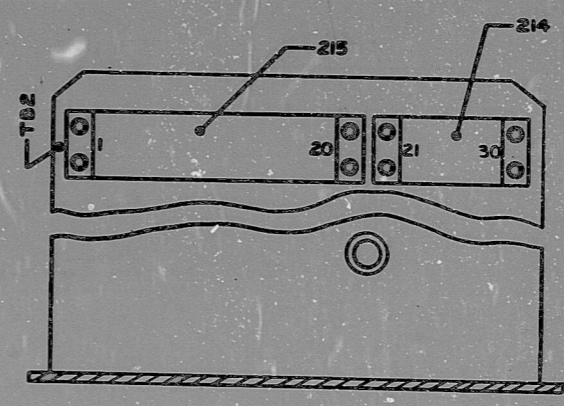


147D7080
 147D7080
 INSERT PG01-16B
 GENERAL ELECTRIC



REAR VIEW



SECTION C-C

TERA
 APERTURE
 CARD

BALDWIN ASSOCIATES, INC.
 COPY # **IPC**
 AUG 18 1981
 FOR REFERENCE ONLY
 Not To Be Used For Construction

4	NJ1055	8-21-79	10/1	01/AMC-3093
5	NJ15776	8-27-80	10/1	10-10-79
3	NJ1373	8-23-78	10/1	10-10-79
2	NJ1373	8-23-78	10/1	10-10-79
1	NJ1373	8-23-78	10/1	10-10-79

CHKD BY: A. TANAKA
 NPD SAN JOSE
 147D7080

RIPS

811120489

