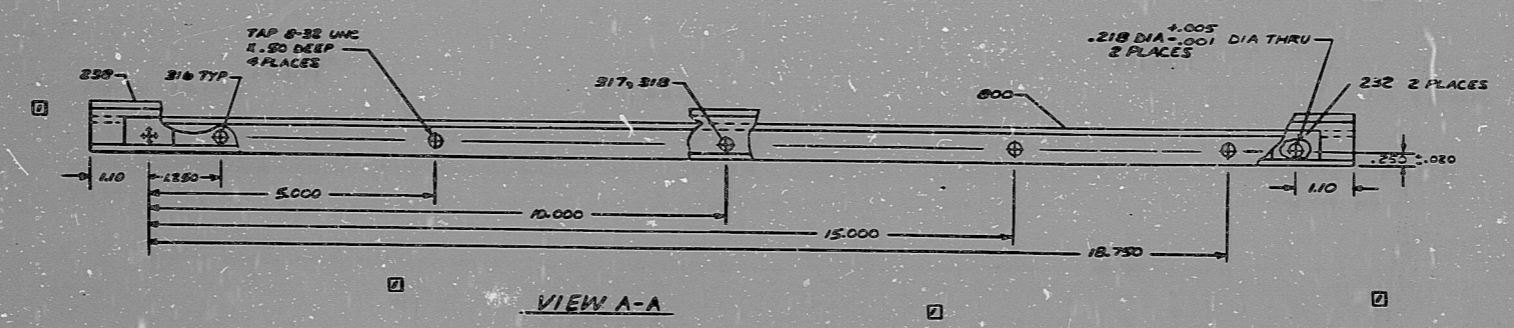


NOTES:
 TRIM INSERT FLUSH WITH STIFFENER
 TOP ONLY. TOUCH UP PAINT.



TERA
 APERTURE
 CARD

BALDWIN APERTURE CO.
 COPY IPC
 AUG 18 1981
 FOR REFERENCE ONLY
 Not To Be Used For Construction

REV	DESCRIPTION	DATE	BY	CHK'D BY
0	AMC-3408	02/21/81	WEL	WEL
1	8-32 TAP	02/21/81	WEL	WEL
2	ADJUSTMENT	02/21/81	WEL	WEL
3	CHG D BY	02/21/81	WEL	WEL
4	TIT	02/21/81	WEL	WEL

CHECKED BY: WEL
 PART OF GROUP NO.:
 SAN JOSE
 914E118

RIDS

811100847

