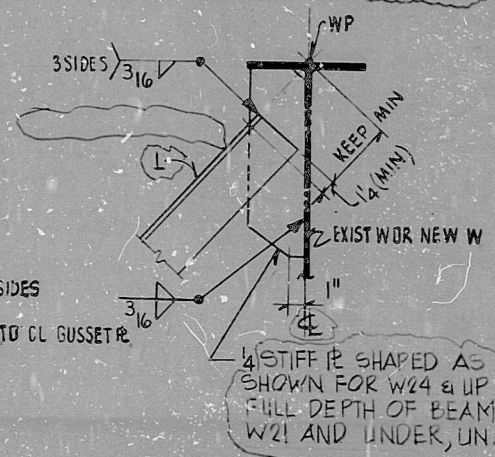
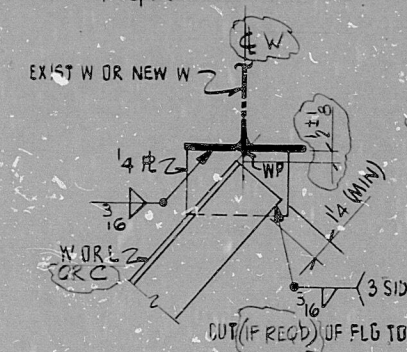
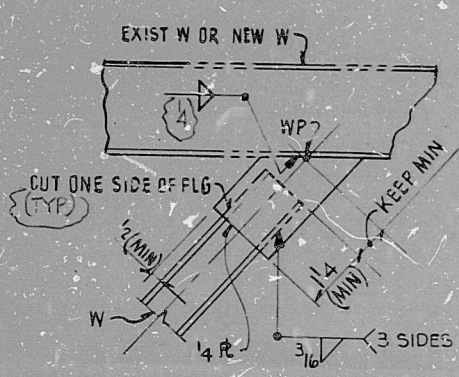
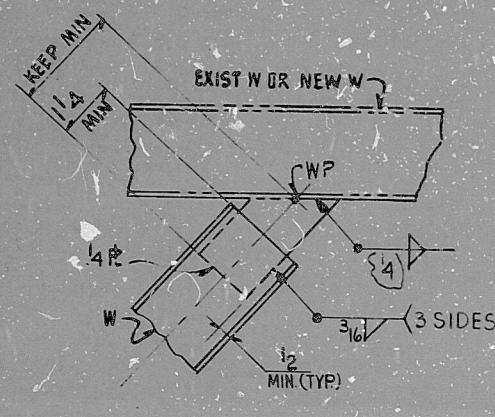
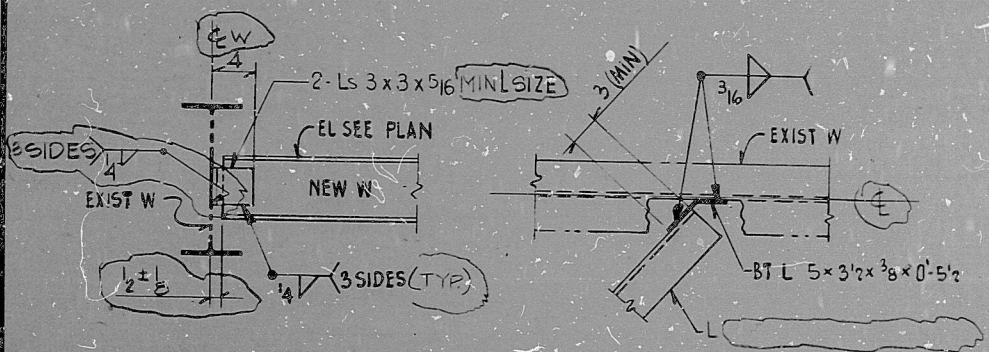


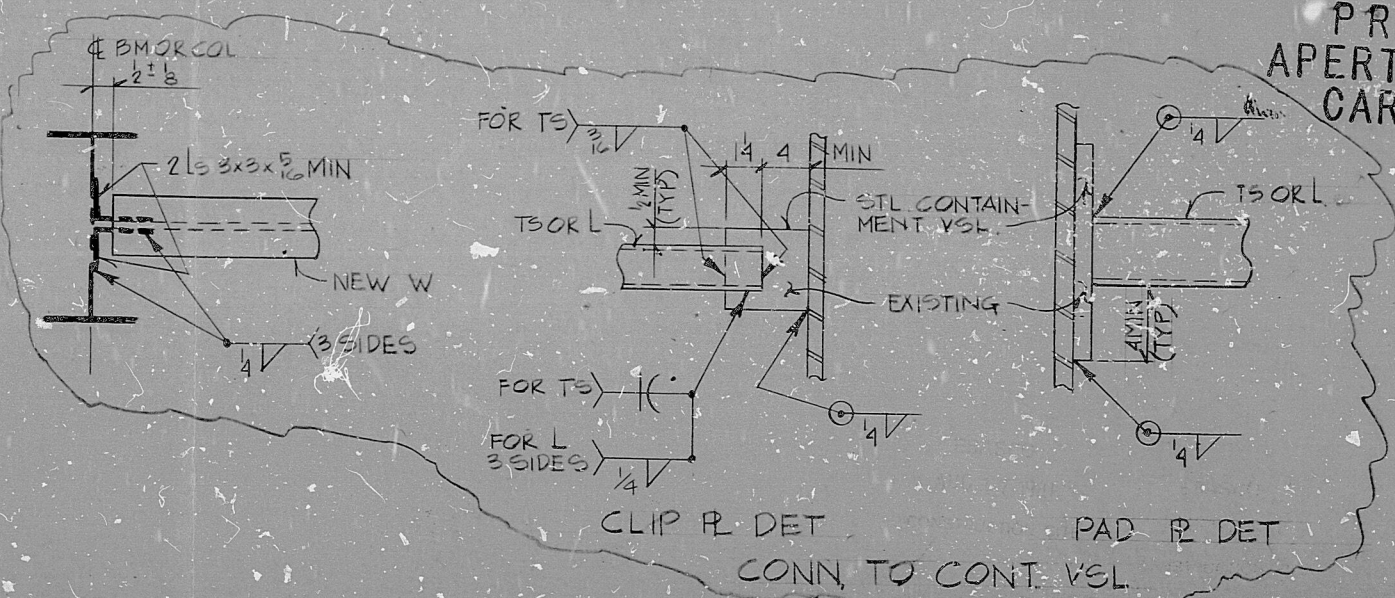
HGR CONN TO BM OR COL = BRCG CONN TO HGR



BRCG CONN TO BM OR COL



SUBFRMG CONN TO MAIN STEEL



PRO APERTURE CARD

CLIP PL DET
CONN TO CONT. VSL

NUCLEAR SAFETY RELATED | WPPSS QUALITY CLASS I, II & G

EBASCO SERVICES INCORPORATED			
5			
4			
3			
2	7-31-81	JSA	LM/HS/HG/VP
1	3-6-81	SP	KE/HL
REV.	DATE	BY	APPROVED
	DATE	DEC 1, 1980	

WASHINGTON PUBLIC POWER SUPPLY SYSTEM
NUCLEAR PROJECTS NO. 3 & 5
BOX DETAILS
SEISMIC MTD. CONN. DETAILS

WPPS-3240
D-5033
SHEET 4S

11
11
8.5
8.5
11
17

RIDS

8303290811

