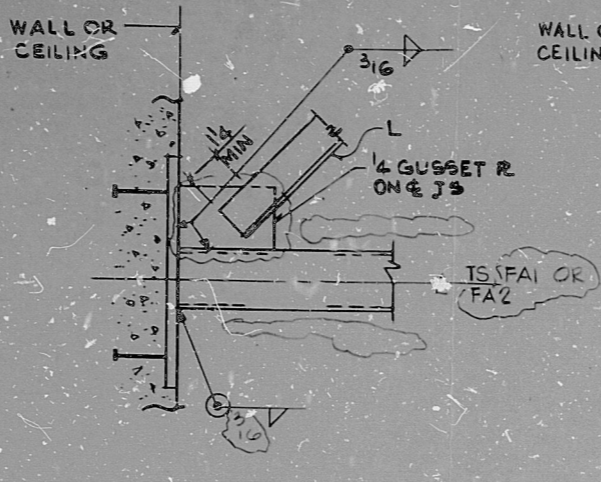
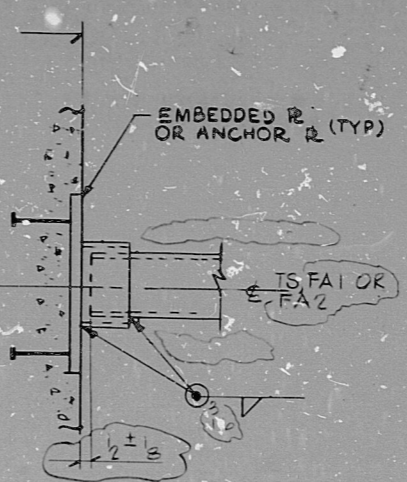


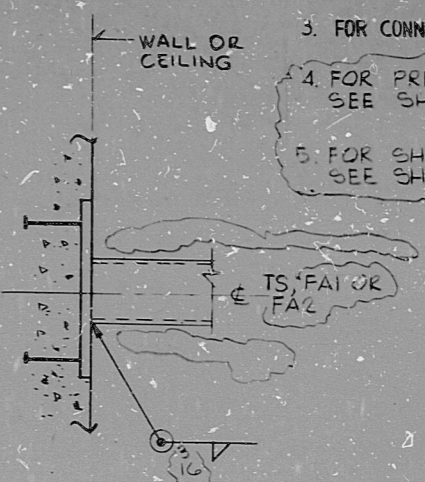
DET CA  
ALT CONNECTIONS USING  
PREFABRICATED FITTINGS



DET CA  
SEE NOTE 1

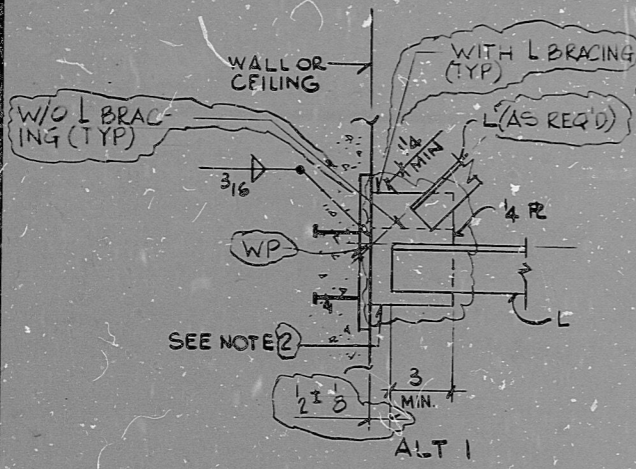


DET CB  
ALT CONNECTION USING  
PREFABRICATED FITTING

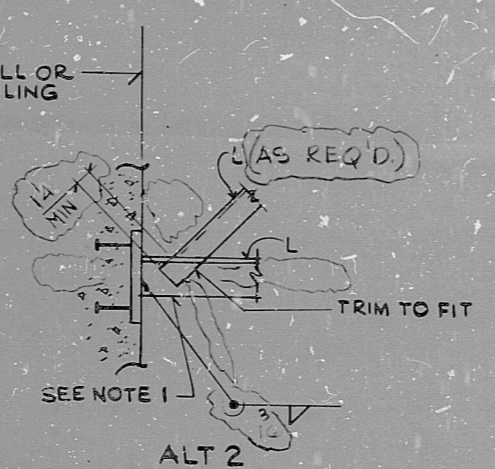


DET CB  
SEE NOTE 1

- NOTE:
1. FOR TS CONN. DETAILS NOT SHOWN SEE DET. A-A ON SH. 4L
  2. FOR L CONN. DETAILS NOT SHOWN SEE DET. A-D ON SH. 4L
  3. FOR CONNECTION TO BEAMS SEE SH. 4L
  4. FOR PREFAB CONN. FITTINGS SEE SH. 4K
  5. FOR SHIMMING REQUIREMENTS SEE SH. 4L AND DET. AA

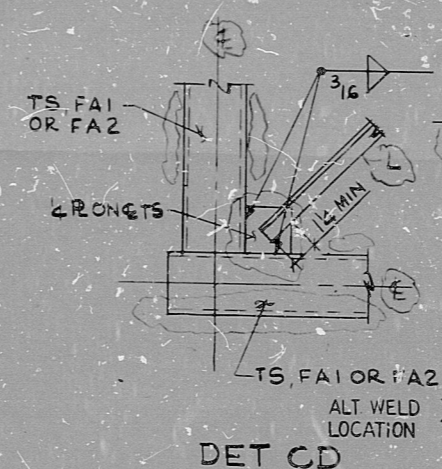


ALT 1

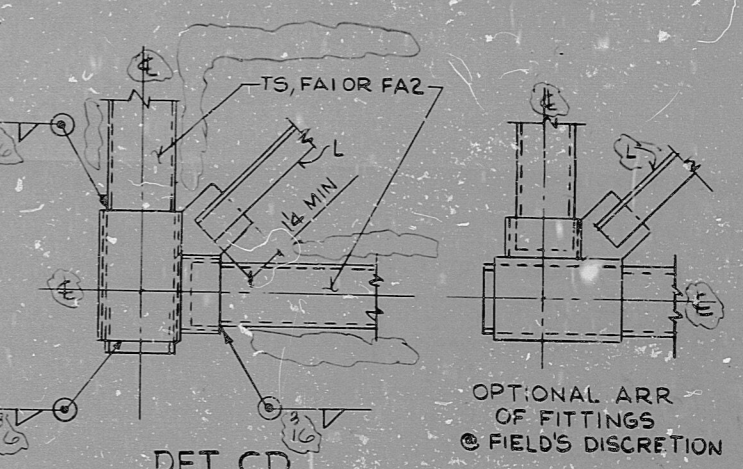


ALT 2

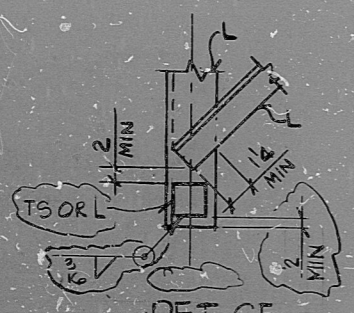
DET CC  
SEE NOTE 1



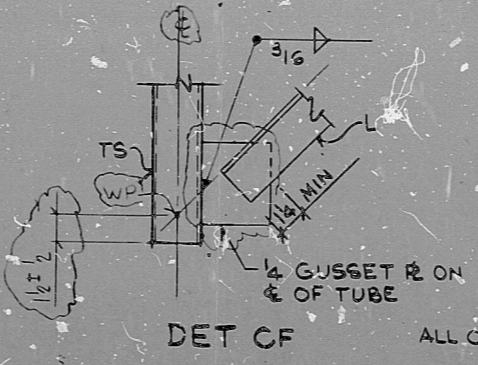
DET CD



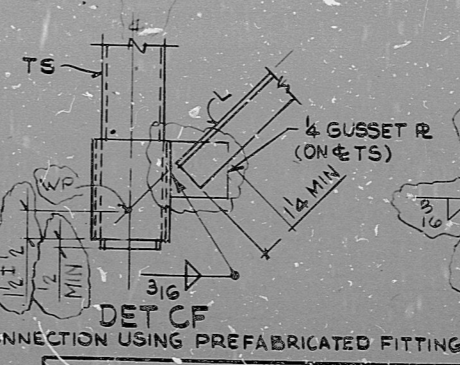
DET CD  
ALT CONNECTION USING PREFABRICATED FITTINGS.



DET CE

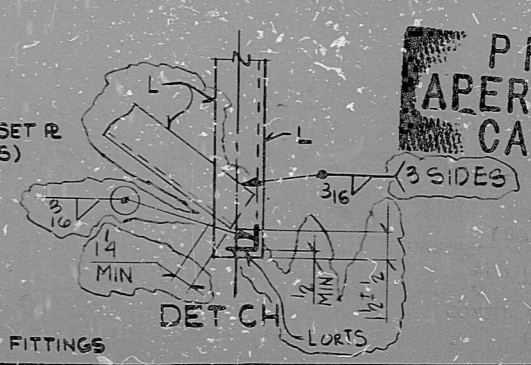


DET CF



DET CF

ALL CONNECTION USING PREFABRICATED FITTINGS



DET CH

			NUCLEAR SAFETY RELATED		WPPSS QUALITY CLASS I, II & G		
			EBASCO SERVICES INCORPORATED				
			DIV. ELEC. DR. W.D.		APPROVED		
			CH. K. ENG.		<i>[Signature]</i>		
			DATE DEC 1, 1980		<i>[Signature]</i>		
5					WASHINGTON PUBLIC POWER SUPPLY SYSTEM NUCLEAR PROJECTS NO. 3 & 5 BOX DETAILS SEISMIC MTD. CONN. DETAILS		
4				WPPSS-3240 D-5033 SHEET 4N			
3							
2	7-31-81	JSA	LM				SP
1	3-6-81	SP	KE				SP
REV.	DATE	BY	APPROVED				

41  
11  
8.5  
8.5"  
11"  
17"

RIDS

8303290734

