

66 208

66 11

66 90

66 11

66 11

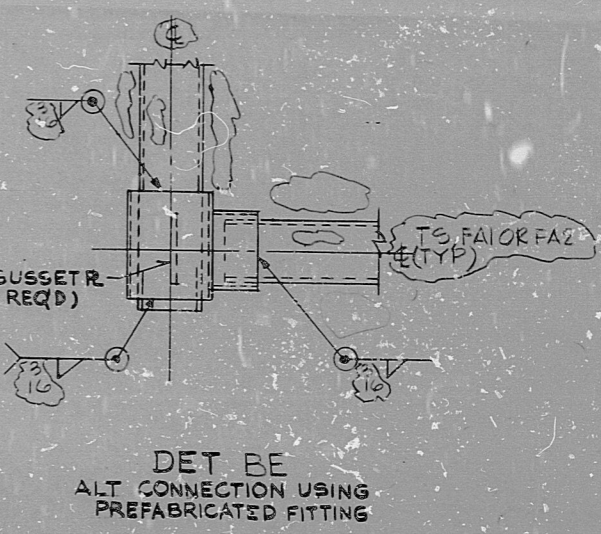
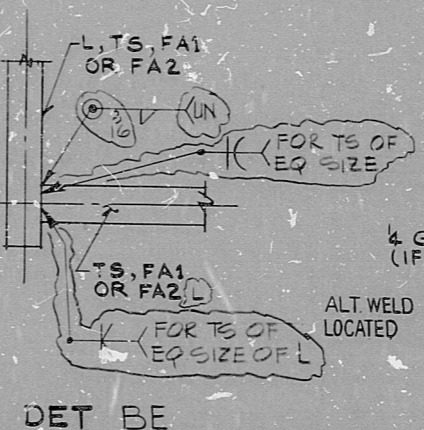
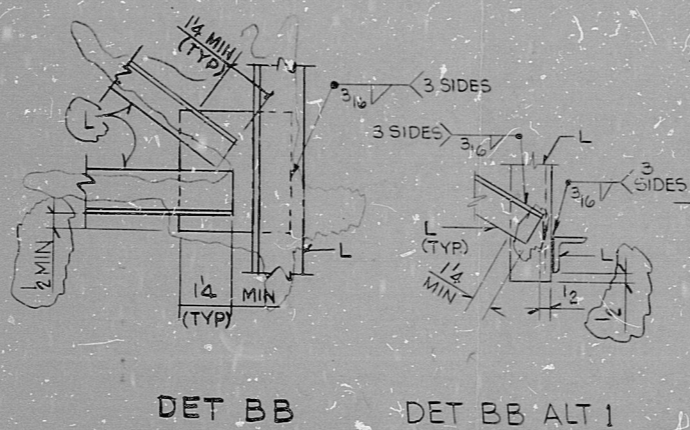
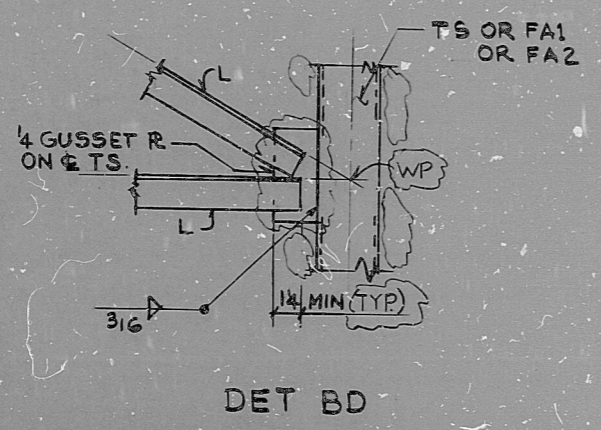
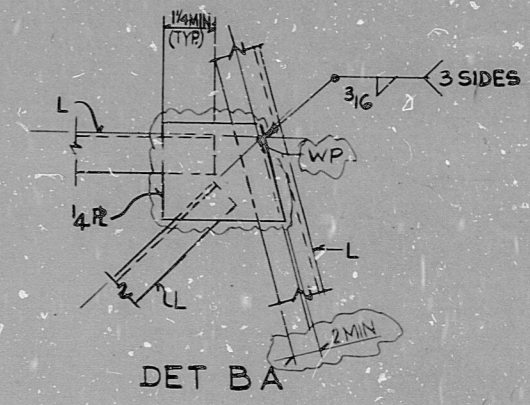
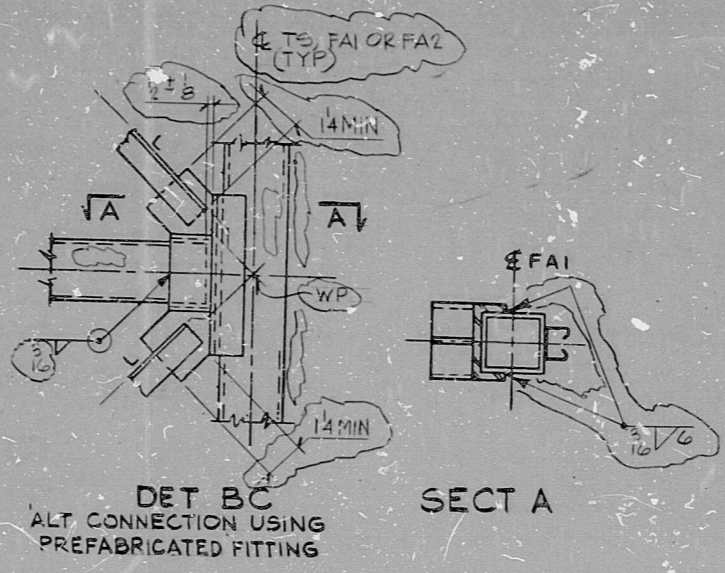
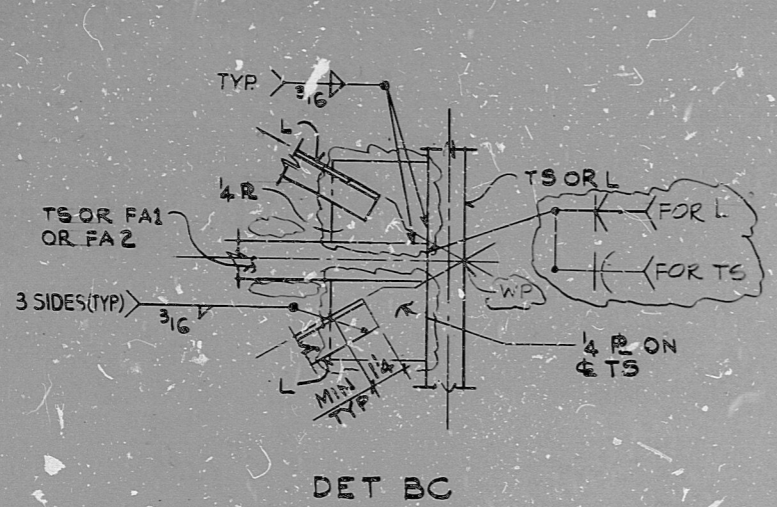
66 58

8.5"

11"

17"

- NOTE:
1. FOR TS CONN. DETAILS NOT SHOWN SEE DETAIL A-A ON SH. 4-L
 2. FOR L CONN. DETAILS NOT SHOWN SEE DETAIL A-D ON SH. 4-L
 3. FOR PREFAB CONN. FITTINGS SEE SH. 4-R



PRC
APERTURE
CARD

				NUCLEAR SAFETY RELATED		WPPSS QUALITY CLASS I, II & G	
				EBASCO SERVICES INCORPORATED			
				DIV. ELEC. DR. WD		APPROVED	
				CH. K. ENG		<i>[Signature]</i>	
				DATE DEC 1, 1980		<i>[Signature]</i>	
5						WASHINGTON PUBLIC POWER SUPPLY SYSTEM	
4						NUCLEAR PROJECTS NO. 3 & 5	
3						BOX DETAILS	
2						SEISMIC MTD. CONN. DETAILS	
1	7-31-81	JSA	ZM/R			WPPS-3240	
REV	DATE	BY	APPROVED			D-5033	
						SHEET 4M	

RIDS

4803290733

