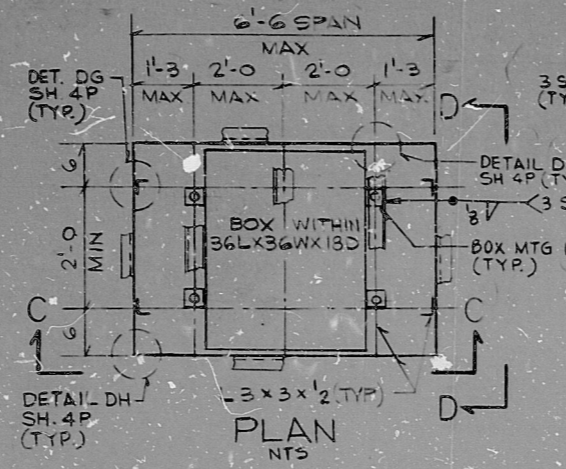
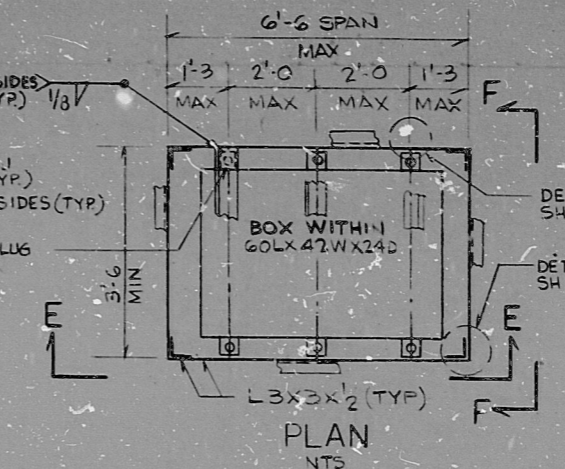


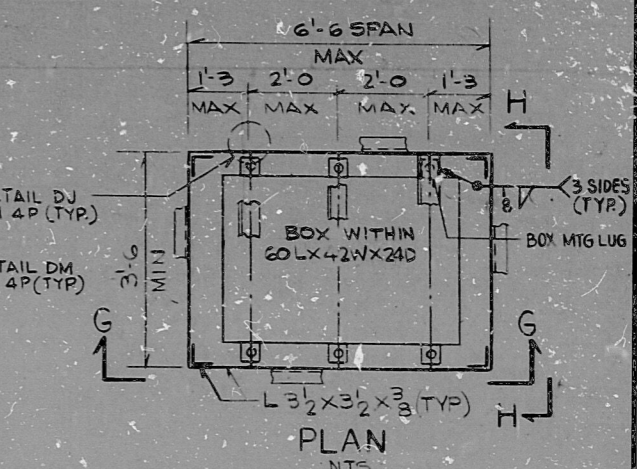
DETAIL II A-I
FOR BOX TYPES I & IV CEILING MOUNTED
IN RAB OR FHB ZONES I & II *



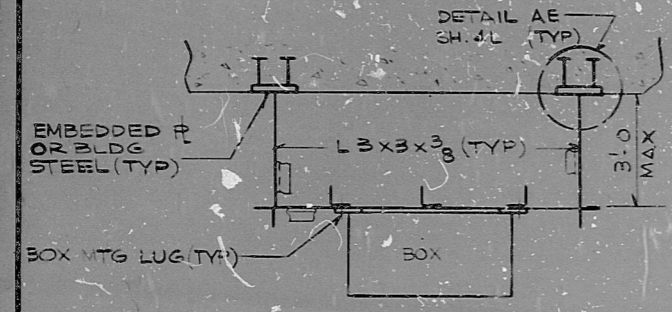
DETAIL II A-II
FOR BOX TYPES I & IV CEILING MOUNTED
IN RAB OR FHB ZONES I & II *



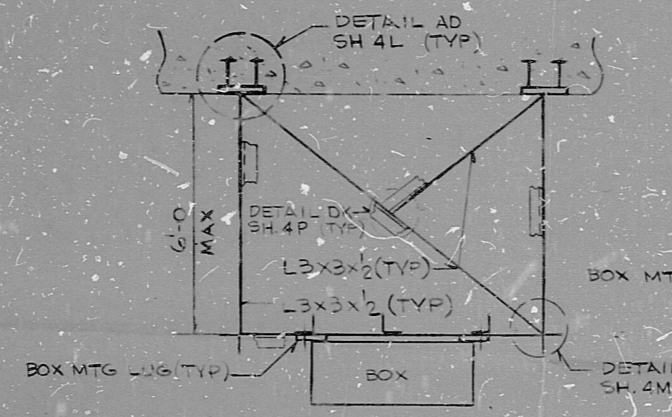
DETAIL II B-I
FOR BOX TYPES I AND IV CEILING
MOUNTED IN RAB OR FHB ZONES I & II *



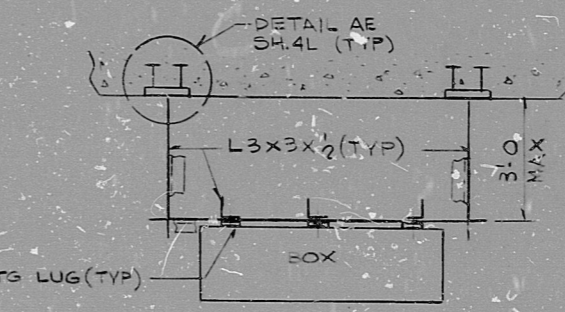
DETAIL II B-II
FOR BOX TYPES I AND IV CEILING
MOUNTED IN RAB OR FHB ZONES I & II *



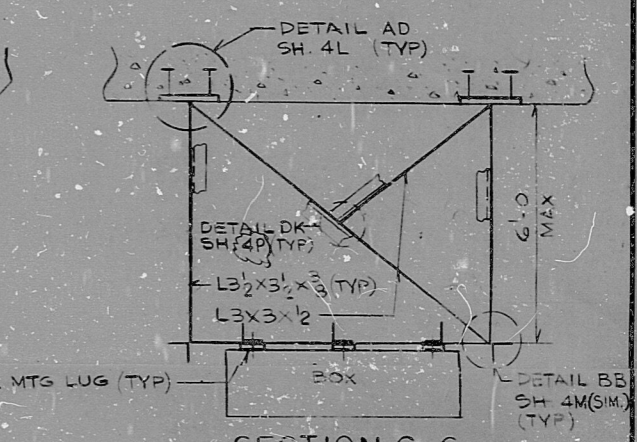
SECTION A-A
NTS



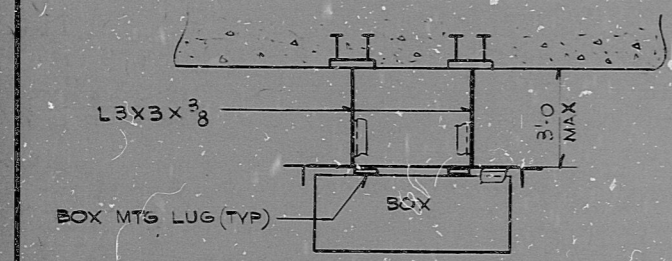
SECTION C-C
NTS



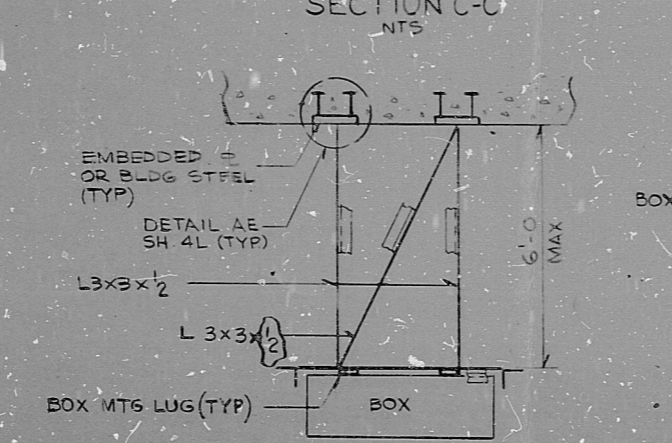
SECTION E-E
NTS



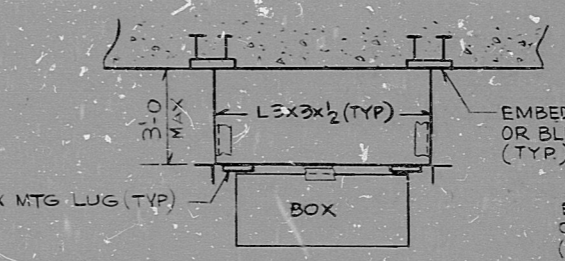
SECTION G-G
NTS



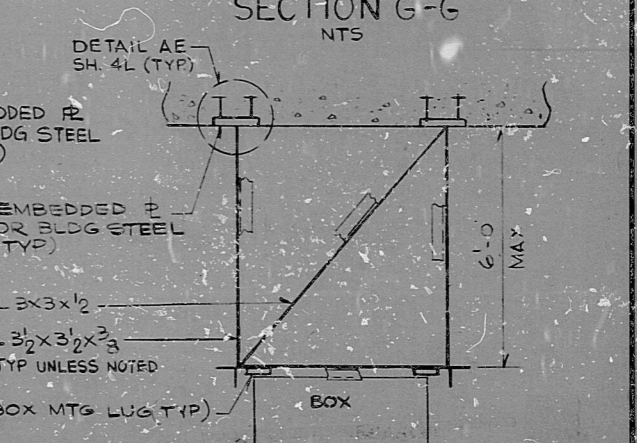
SECTION B-B
NTS



SECTION D-D
NTS



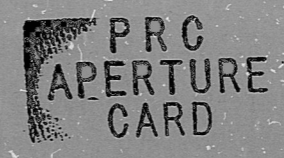
SECTION F-F
NTS



SECTION H-H
NTS

NOTE
* FOR DEFINITION OF SEISMIC SUPPORT ZONES I & II
SEE DWG. D-5023, FIG 3, SH 55-2 (GEN NOTES, SYM & REF DWGS)

THIS SHEET IS FOR SEISMIC APPLICATIONS IN RAB AND FHB ONLY.



REVISION 1 DWG REDRAWN

EBASCO SERVICES INCORPORATED			WASHINGTON PUBLIC POWER SUPPLY SYSTEM		WPPSS-3240	
5			NUCLEAR SAFETY RELATED		WPPSS QUALITY CLASS I, II & G	
4			NUCLEAR PROJECTS NO. 3 & 5		D-5033	
3	7-31-81	JSA/LM	DIV. ELEC. DR. JDG		SEISMIC MOUNTING DETAILS	
2	3-6-81	SP	CH. F.D. BEANE		SM 57-26	
1	12-1-80	LM	DATE APR 11, 1979			
REV.	DATE	BY	APPROVED			

17
11
58
8.5"
11"
17"

RIDS

8303290722

