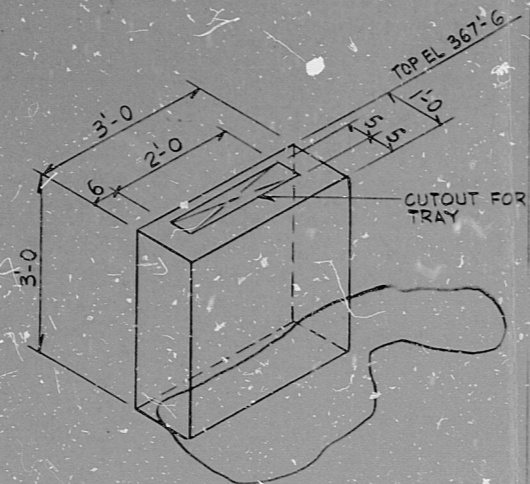
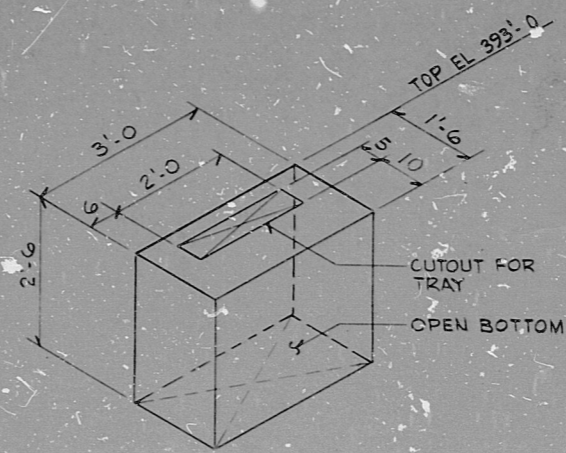


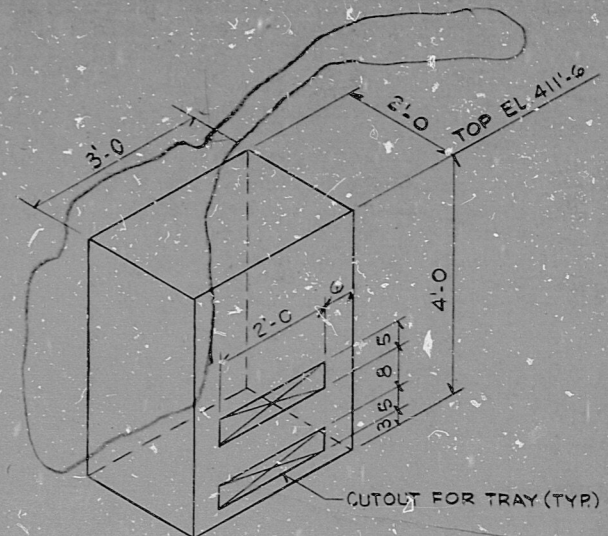
B26-SB  
SCALE: 1/2" = 1'-0"



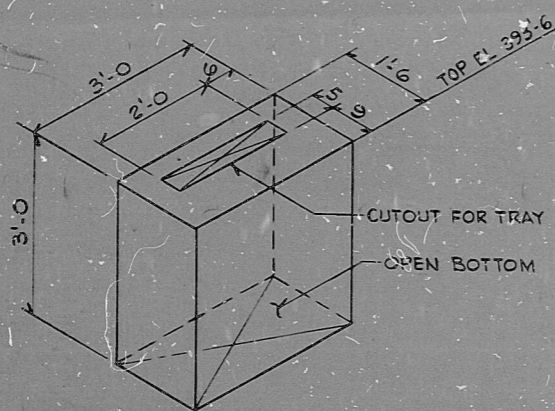
B27-SB  
SCALE: 1/2" = 1'-0"



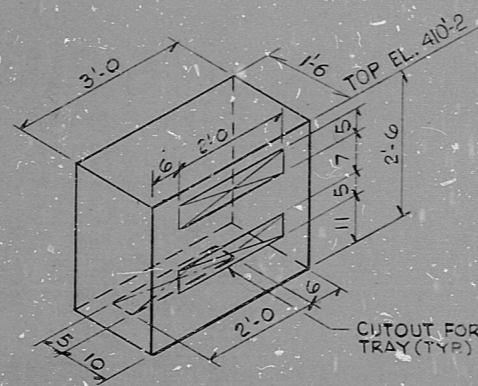
B101-SB & B102-SB  
SCALE: 1/2" = 1'-0"  
PAD MOUNTED  
FOR MTG OF BOX, SEE BOX TYPE III DET. SH. 3.



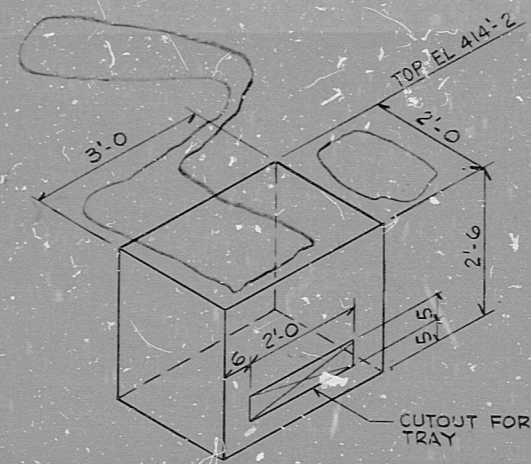
B103-SB  
SCALE: 1/2" = 1'-0"



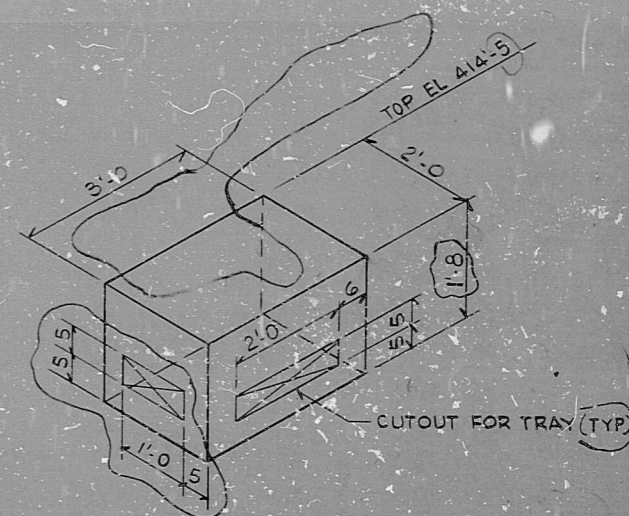
B106-SA & B107-SA  
SCALE: 1/2" = 1'-0"  
PAD MOUNTED  
FOR MTG OF BOX, SEE BOX TYPE III DET. SH. 3.



B108-SA  
SCALE: 1/2" = 1'-0"



B288-SD  
SCALE: 1/2" = 1'-0"



B299-SD  
SCALE: 1/2" = 1'-0"  
APERTURE CARD

NOTE:  
1. FOR BOX BRACINGS SEE BOX TYPE III DETAIL SH. 3.

REV.	DATE	BY	APPROVED
1	3-6-81	SP	[Signature]

EBASCO SERVICES INCORPORATED	
DIV. ELEC.	DR. WD
CH. K	ENG
DATE: DEC 1, 1980	

NUCLEAR SAFETY RELATED		WPPSS QUALITY CLASS II B	
WASHINGTON PUBLIC POWER SUPPLY SYSTEM			
NUCLEAR PROJECTS NO. 3 & 5			
BOX DETAILS			
TRAY BOX DETAILS			

WPPSS-324C
D-5033
SHEET 3C



