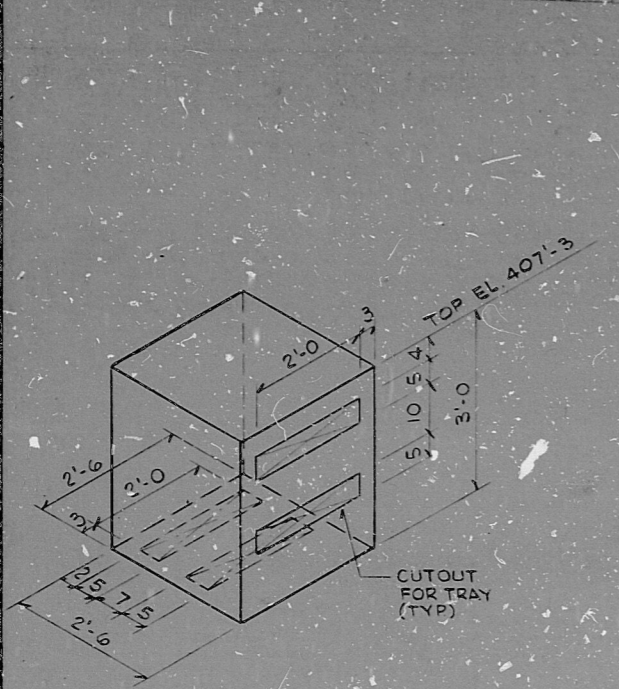
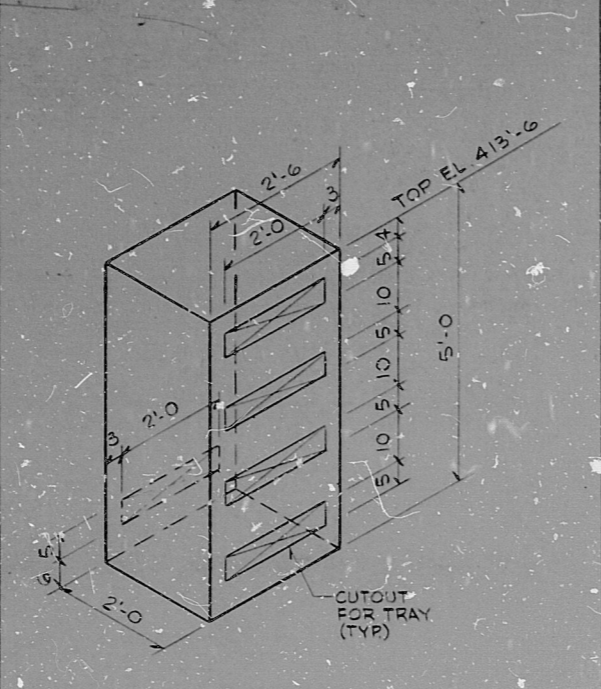


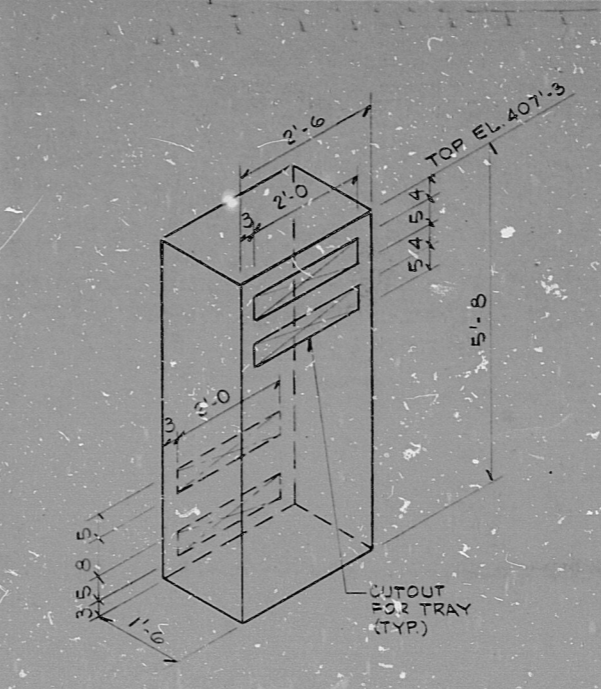
K&E 19 1280 4-77 414430



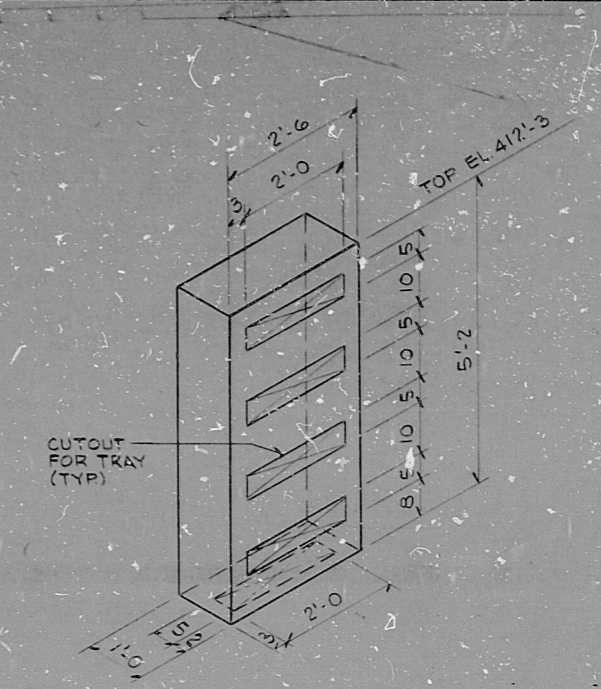
B 400-NB
SCALE: 1/2" = 1'-0"



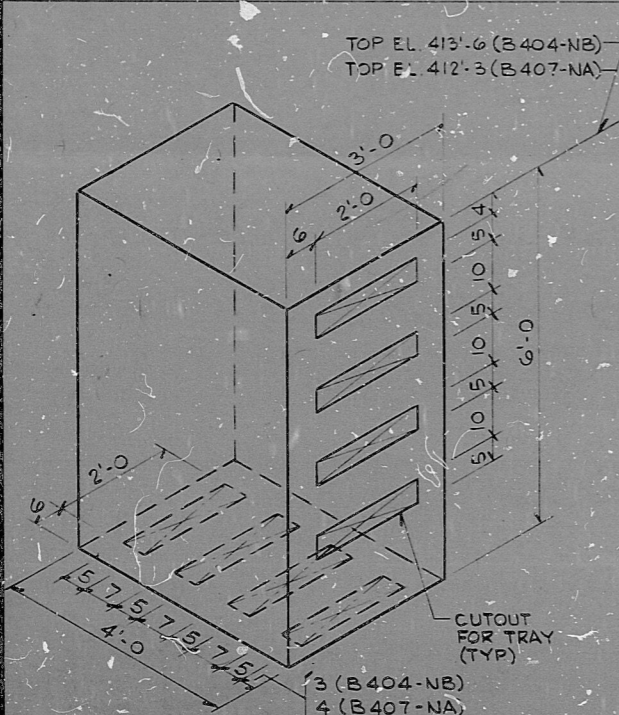
B 401-NB
SCALE: 1/2" = 1'-0"



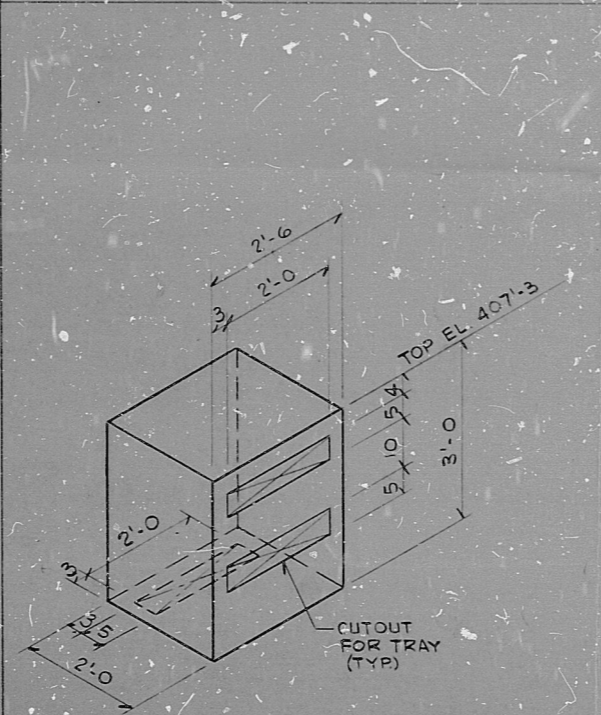
B 402-NA
SCALE: 1/2" = 1'-0"



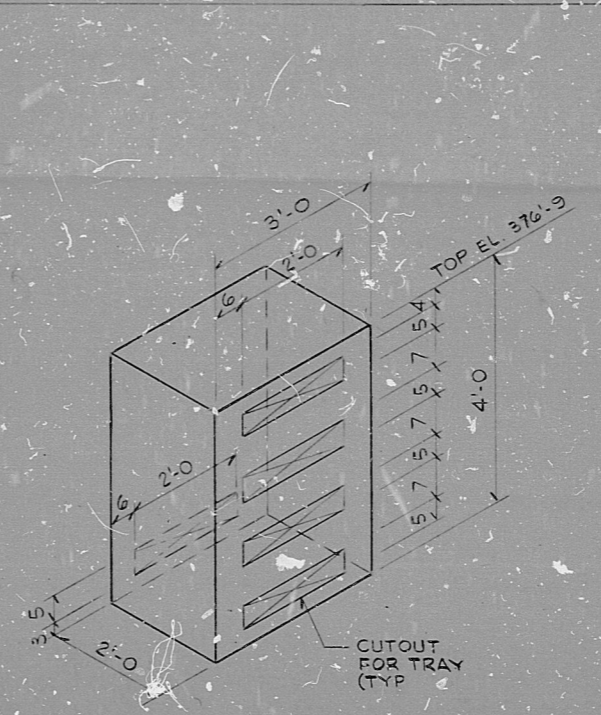
B 403-NA
SCALE: 1/2" = 1'-0"



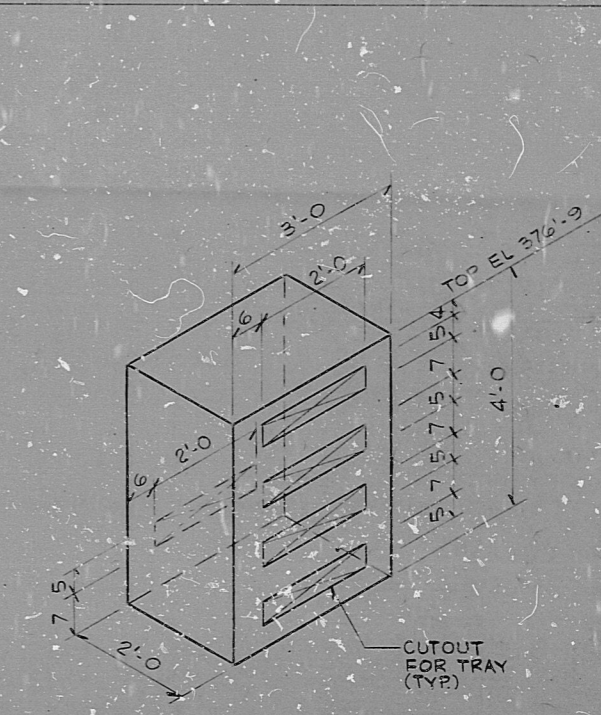
B 404-NB & B 407-NA
SCALE: 1/2" = 1'-0"



B 405-NB & B 406-NA
SCALE: 1/2" = 1'-0"



B 32-NB & B 33-NA
SCALE: 1/2" = 1'-0"



B 36-NA
SCALE: 1/2" = 1'-0"

PRC APERTURE CARD

NOTE:
1. FOR BOX BRACINGS SEE BOX TYPE V DETAIL SH. 3

| | | | |
|-----|------|----|----------|
| 5 | | | |
| 4 | | | |
| 3 | | | |
| 2 | | | |
| 1 | | | |
| REV | DATE | BY | APPROVED |

EBASCO SERVICES INCORPORATED
DIV. ELEC. DR. WD
CH. E. ENG
DATE OCT. 1, 1980
Approved
Martinez

WASHINGTON PUBLIC POWER SUPPLY SYSTEM
NUCLEAR PROJECTS NO 3 & 5
BOX DETAILS
TRAY BOX DETAILS

WPPSS-3240
D-5033
SHEET 3A

WPPSS QUALITY CLASS II&G

RIDS

8303290686

