

5.0 SEPARATION (CONT'D)

DESIGNATION AND COLOR CODING

THE DESIGNATION OF TRAY & OTHER EQUIPMENT IN EACH DIVISION WITH RESPECT TO VOLTAGE AND/OR FUNCTION SHALL BE IN ACCORDANCE WITH TABLE NO 1 BELOW.

THE COLOR CODING SHALL BE IN ACCORDANCE WITH TABLE 2

CABLE SEPARATION RACEWAY CODE	CABLE SEPARATION RACEWAY CODE																			
	NA	NB	SA	SB	SC	SD	ASA	ASB	ASC	ASD										
13.8KV POWER	X-NA	X																		
	X-NB	X																		
	X-NA/NB	X																		
4.16KV	V-NA	X																		
	V-NB	X																		
	V-NA/NB	X																		
600V POWER	P-NA	X																		
	P-NB	X																		
	P-NA/NB	X																		
600V CONTROL	C-NA	X																		
	C-NB	X																		
	C-NA/NB	X																		
300V LOW LEVEL	L-NA	X																		
	L-NB	X																		
	L-NA/NB	X																		
	L-SA		X																	
	L-SB		X																	
	L-SC		X																	
	L-SD		X																	
	L-EXA			X																
	L-EXB			X																
	SMAR																			
	SMBR																			
	SMCR																			
	SMDR																			

TABLE NO 1

- NOTES:
- EXCORE CABLES TO BE RUN IN CONDUIT ONLY ISOLATED FROM ANY SAFETY OR NON-SAFETY CIRCUIT.
  - COMMUNICATION, LIGHTING & PLANT SECURITY SYSTEMS ARE EXCLUDED FROM THIS TABLE.
  - FOR DESCRIPTION OF VOLTAGE CLASS (X, V, P, C & L), SEE SHEET 10, PARAGRAPH 6.02.

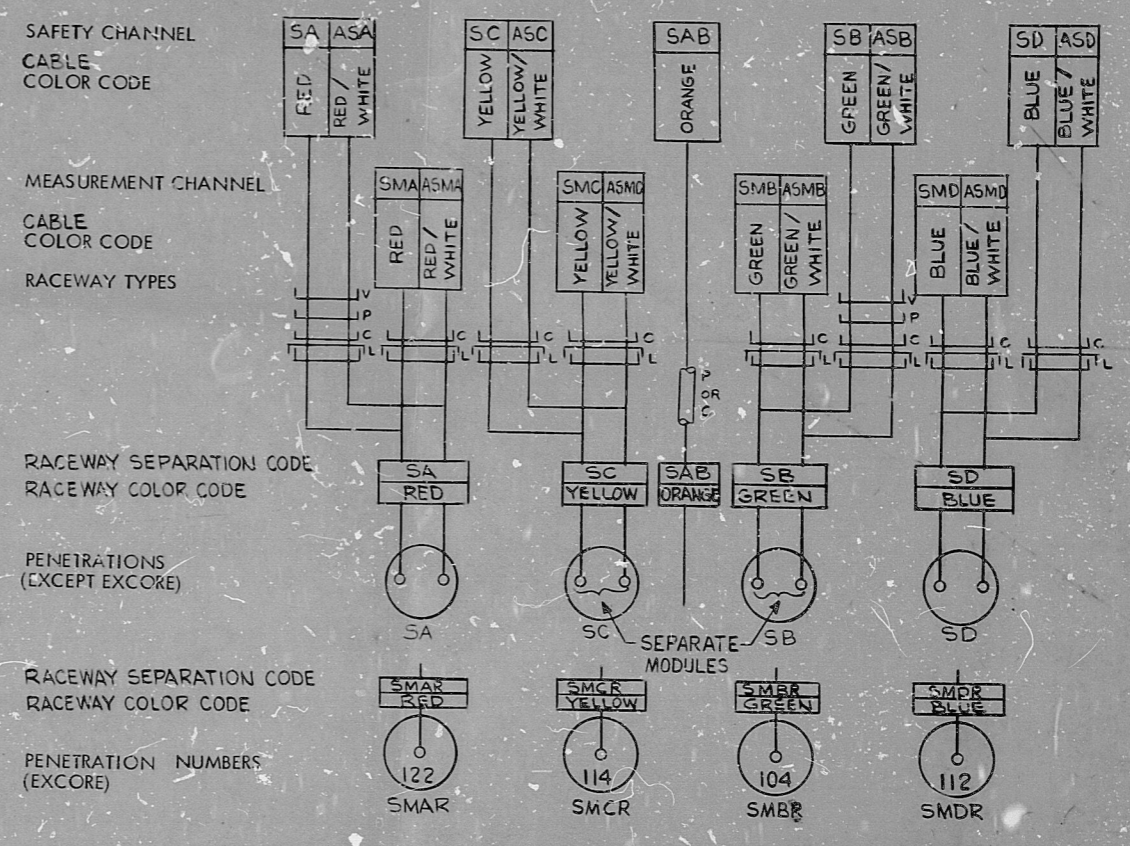


TABLE NO. 2  
 NON-SAFETY CABLE & EQUIPMENT SHALL BE COLOR CODED BLACK.  
 NON-SAFETY CABLE TAG SHALL BE COLOR CODED WHITE WITH BLACK LETTERING.

PRC APERTURE CARD

DCN-ED-109  
 PCP-350-6146  
 INCORPORATED IN REV. 4.

REV.	DATE	BY	APPROVED
5			
4	5-7-82	PS	
3	7-21-81	SP	
2	8-22-80	RP	
1	4-10-79	ES	

**EBASCO SERVICES INCORPORATED**  
 DIV. ELECT. DR. E.M.  
 CH. R. ABRAMOWITZ  
 DATE MAY 19, 1978

**WASHINGTON PUBLIC POWER SUPPLY SYSTEM**  
 NUCLEAR PROJECTS NO. 3 & 5  
 GENERAL NOTES, SYMBOLS AND REFERENCE DRAWINGS

**WPPSS-3240**  
 D-5023  
 SHEET 9

RWS

8303240187

