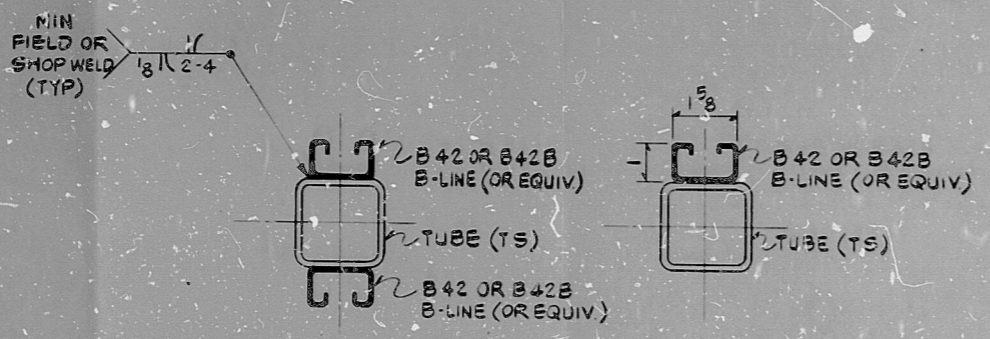
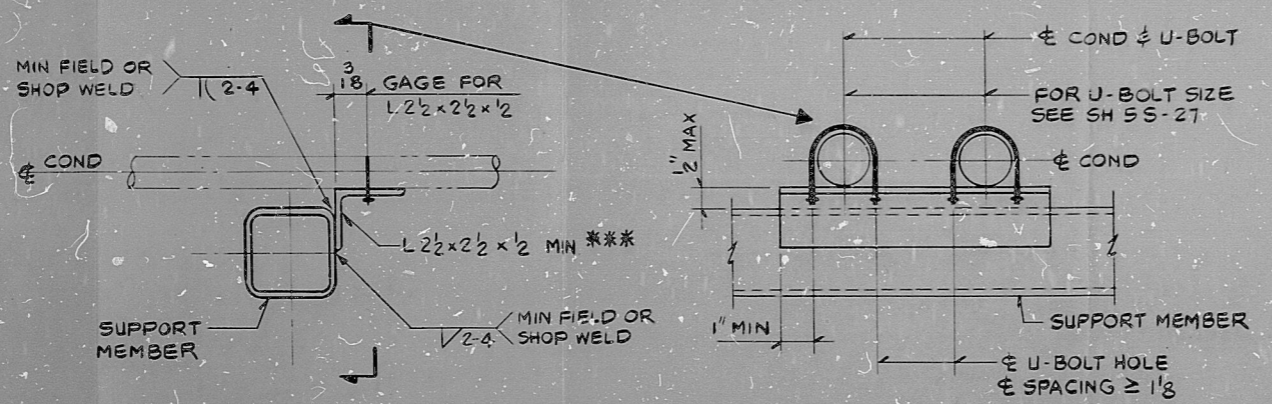
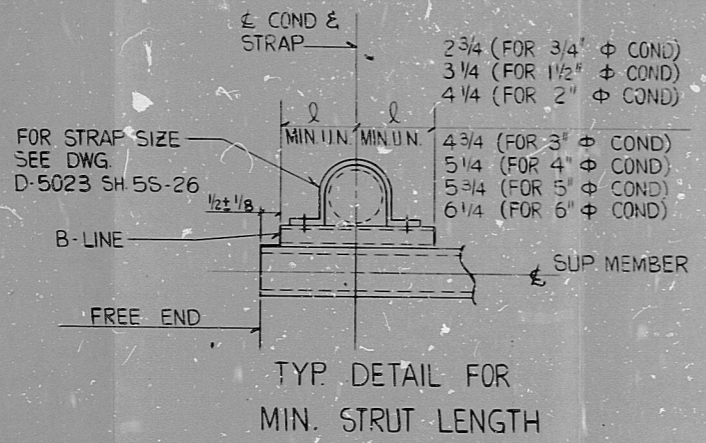


FIGURE 18 1828 6-27 (1/4) 1828

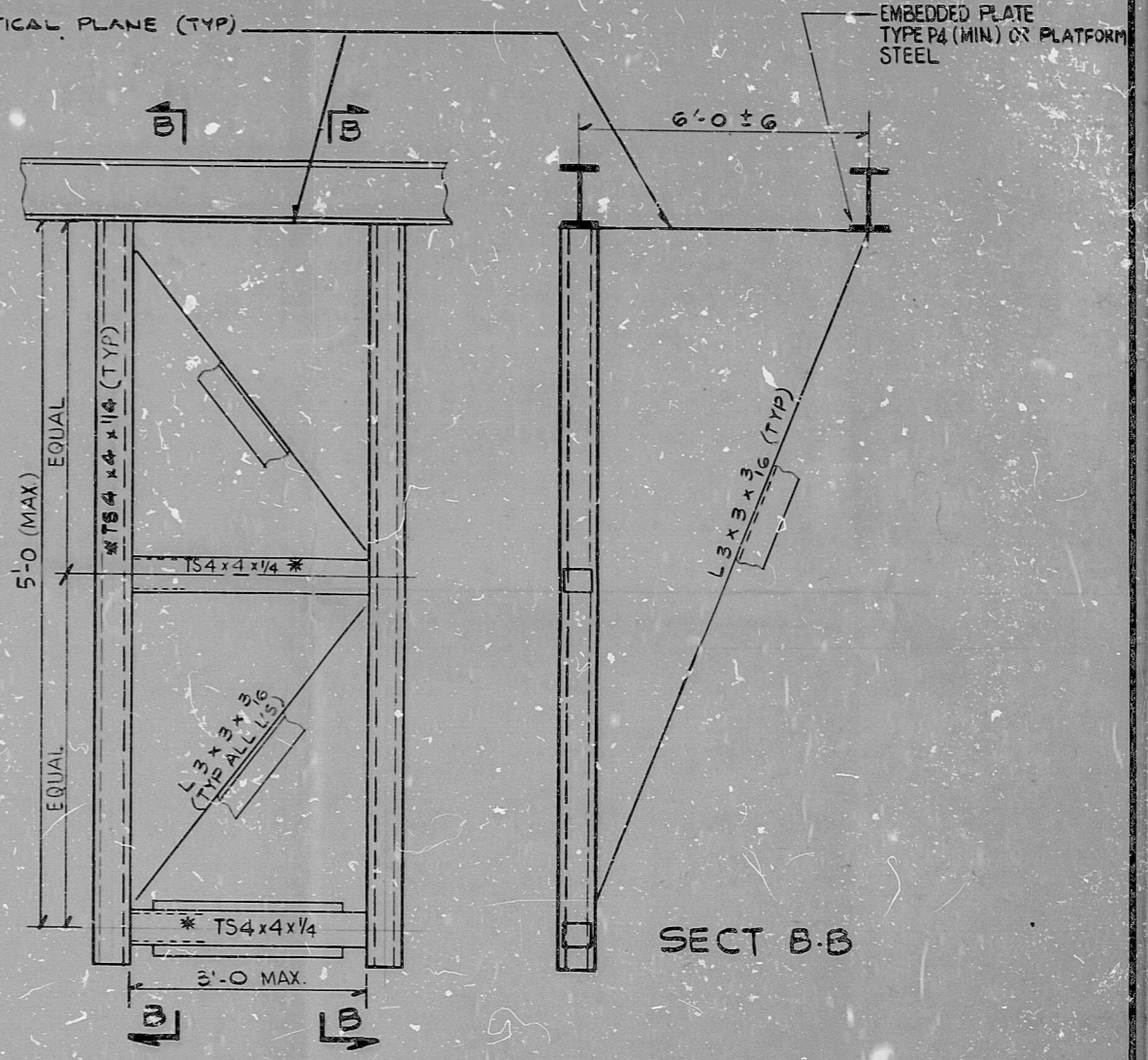


DETAIL RB-FA2 DETAIL RB-FA1  
 (ALL TUBE SIZES ARE AS SHOWN ON THE SUPPORT DETAILS  
 ADDITIONAL STRUTS MAY BE WELDED ON OTHER FACES AS REQ'D)



OPTIONAL DET FOR USE OF U-BOLT WITH TUBE STL

SUPPORTS IN VERTICAL PLANE (TYP)



TYPE RB-X3

MAX CONDUIT LOAD IN LBS		
PLATFORM AT EL 395'-0 & BELOW	PLATFORM AT EL 425'-0 & BELOW	INTERN. STRUCT & CONT VSL MOUNTED UP TO EL. 425'-0
1380	855	1300

NOTES:  
 \* RB-FA1 OR RB-FA2 AS REQUIRED SEE OPTIONAL DETAILS THIS DWG  
 \*\*\* L WITH GREATER SECTION MODULUS MAY BE USED IN LIEU OF L 2 1/2 x 2 1/2 x 1/2 SEE AISC FOR GAGE DISTANCE AS REQ'D

PRO APERTURE CARD

THIS SHEET IS FOR SEISMIC APPLICATIONS IN REACTOR BLDG, AND CONDENSATE & REFUELING WATER STORAGE TANK AREA AS INDICATED IN NOTE 3.04-9, SH, 5B.

NUCLEAR SAFETY RELATED		WPPSS QUALITY CLASS I, II & G	
5 4 3 2 1 REV. DATE BY APPROVED		EBASCO SERVICES INCORPORATED DIV. ELEC. DR. QM CH. K. ENG DATE JULY 21, 1981	
WASHINGTON PUBLIC POWER SUPPLY SYSTEM NUCLEAR PROJECTS NO. 3 & 5 GENERAL NOTES, SYMBOLS AND REFERENCE DRAWINGS		WPPSS-3240 D-5023 SHEET 5S-35	

RIDS

8303240174

