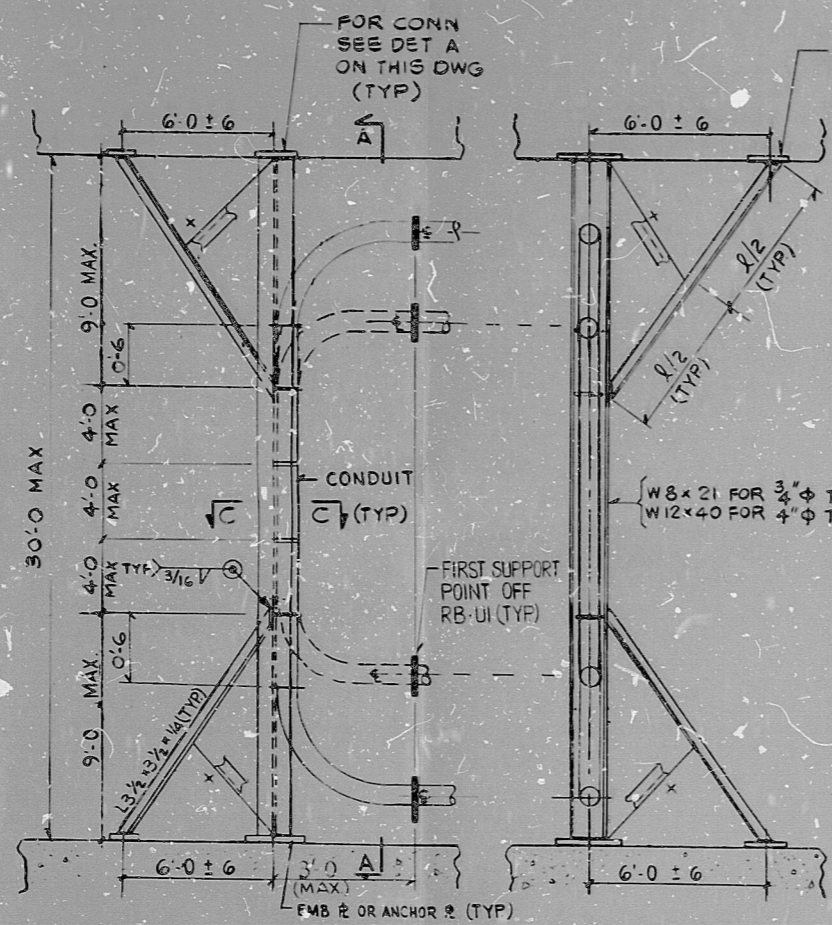
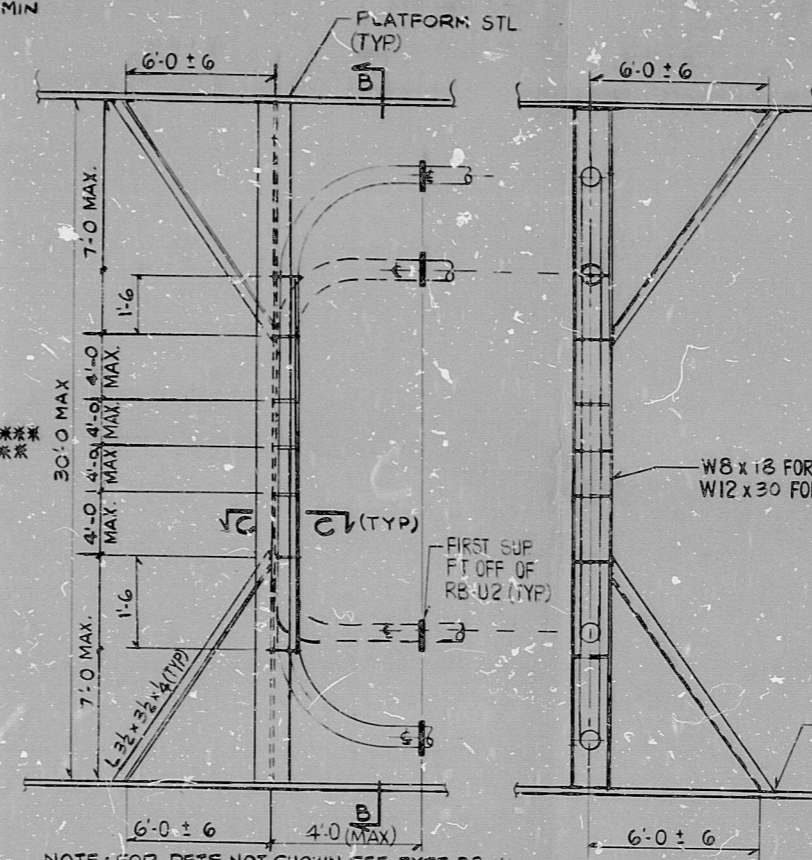


H&B 10 1233 4-77 41449D



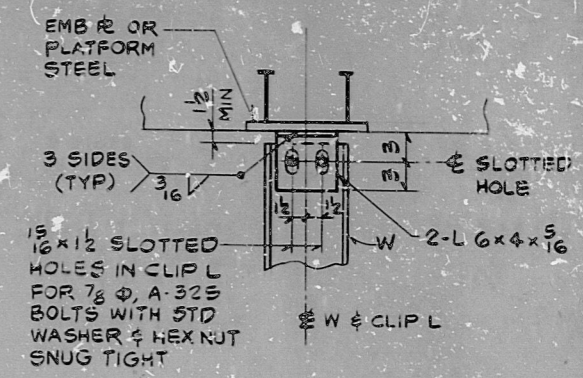
**TYPE RB-U1**  
SUPPORT BETWEEN TWO CONCRETE FLOORS IN VERTICAL PLANE ONLY UP TO EL 425'-0

**SECT A**

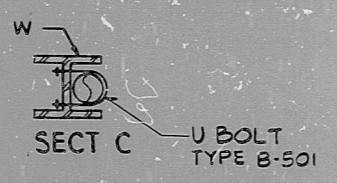


**TYPE RB-U2**  
SUPPORT BETWEEN PLATFORMS EL 395'-0 & EL 425'-0 (STAIR LOCATION NOT INCLUDED)

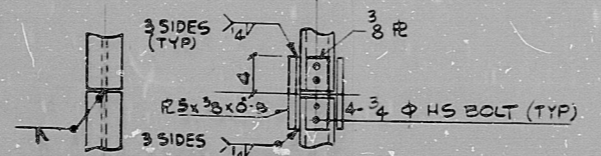
**SECT B**



**DET A**



**SECT C**



**SPLICE DET ALT SPLICE DET**  
(LOCATE SPLICE BETWEEN STRAPS)

**PRC APERTURE CARD**

- NOTES**
- + THIS STRUCTURAL ANGLE IS REQUIRED WHEN VERTICAL SUPPORT LEG DIMENSION IS GREATER THAN 7'-0
  - \*\* TYPE RB-U1 & RB-U2 MAY BE USED TO SUP MULTIPLE CONDUITS PROVIDED THE SUM TOTAL OF THEIR WEIGHT DOES NOT EXCEED THE WEIGHT OF ONE 6" φ CONDUIT
  - \*\*\* TYPE RB-U2 MAY BE USED TO SUP MULTIPLE CONDUITS PROVIDED THE SUM TOTAL OF THEIR WEIGHT DOES NOT EXCEED THE WEIGHT OF ONE 3" φ CONDUIT.

THIS SHEET IS FOR SEISMIC APPLICATIONS IN REACTOR BLDG, AND CONDENSATE & REFUELING WATER STORAGE TANK AREA AS INDICATED IN NOTE 3, 04-9, SH, 5B.

<b>NUCLEAR SAFETY RELATED</b>			<b>WPPSS QUALITY CLASS I, II &amp; G</b>		
<b>EBASCO SERVICES INCORPORATED</b>			<b>WASHINGTON PUBLIC POWER SUPPLY SYSTEM</b>		
DIV. ELEC. OR. QM CH. K. ENG.			NUCLEAR PROJECTS NO. 3 & 5		
DATE JULY 21, 1981			GENERAL NOTES, SYMBOLS AND REFERENCE DRAWINGS		
SHEET 55-33			<b>WPPS-3240</b> <b>D-8023</b>		



**RDS**

8303240169

