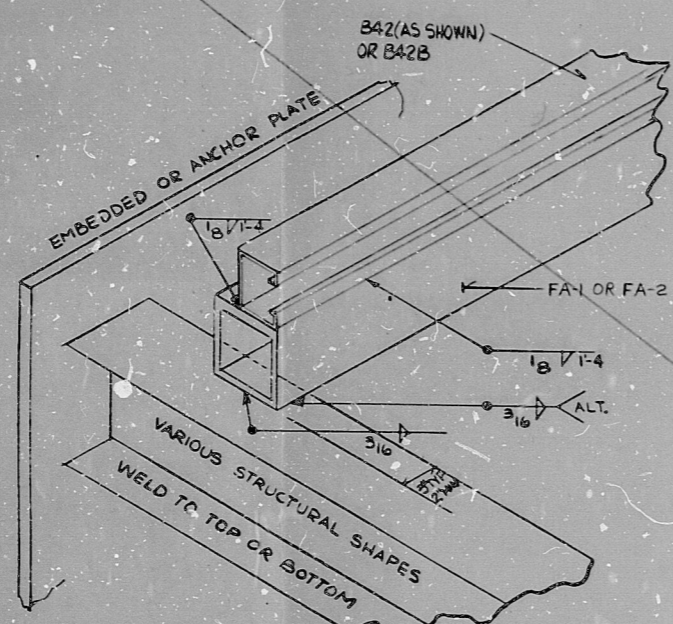
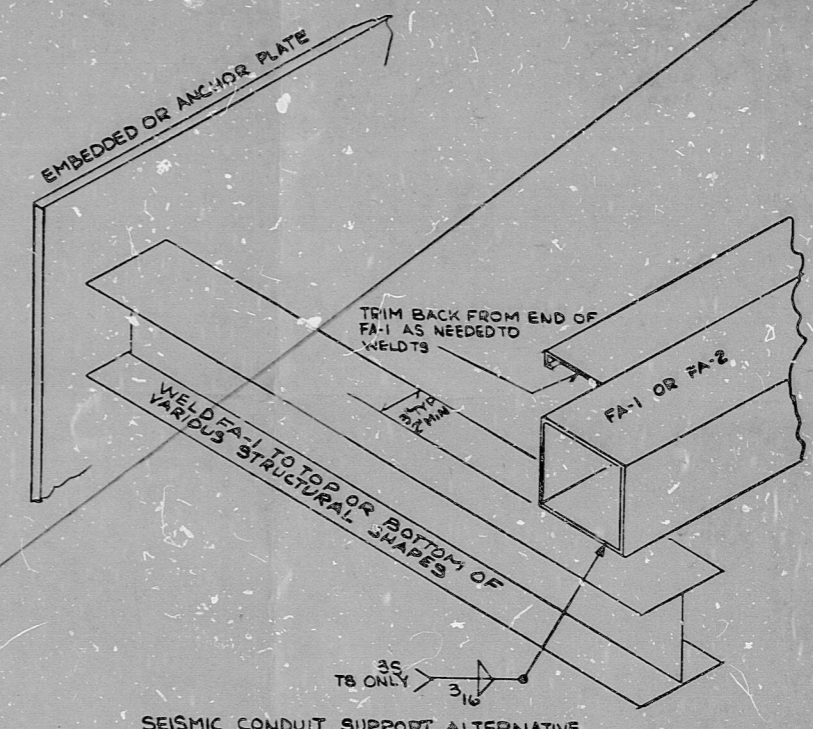


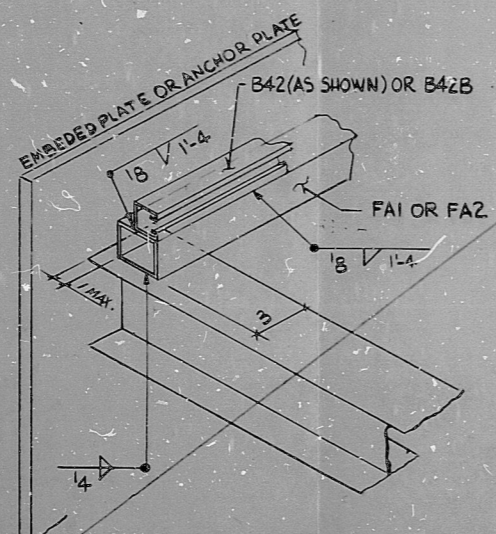
FIG. 18 1820 6-79 414520



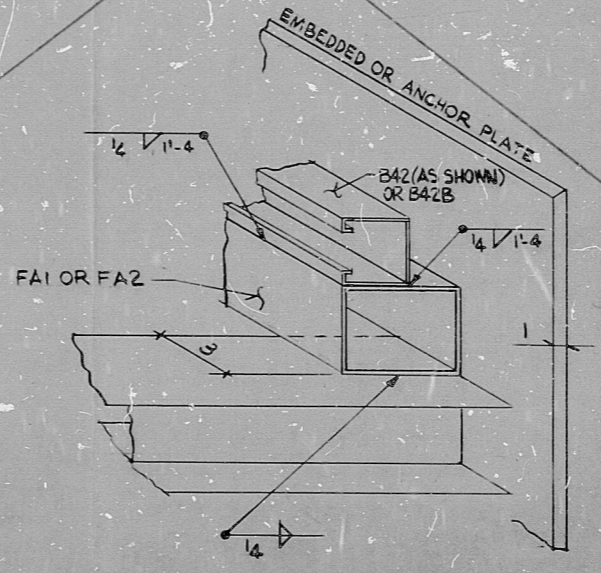
SEISMIC CONDUIT SUPPORT ALTERNATIVE  
SEE NOTE H, SH 2



SEISMIC CONDUIT SUPPORT ALTERNATIVE  
SEE NOTE H, SH 2



SEISMIC CONDUIT SUPPORT ALTERNATIVE  
SEE NOTE H, SH 2



SEISMIC CONDUIT SUPPORT ALTERNATIVE  
SEE NOTE H, SH 2

PRC  
APERTURE  
CARD

NOTE FOR REV 2: THIS SHEET VOID

5			
4			
3			
2	2-17-81	RL	SP
1	8-22-80	SP	SP
REV.	DATE	BY	APPROVED

EBASCO SERVICES INCORPORATED  
DIV. ELEC. OR. FDB  
CH. F. D. BEANE  
DATE APR 10, 1979

NUCLEAR SAFETY RELATED

WPPSS QUALITY CLASS I, II 86

WASHINGTON PUBLIC POWER  
SUPPLY SYSTEM  
NUCLEAR PROJECTS NO. 3 & 5  
GENERAL NOTES, SYMBOLS AND  
REFERENCE DRAWINGS

WPPS-3240  
D-5023  
SHEET 55-14

**RIDS**

8303210310

