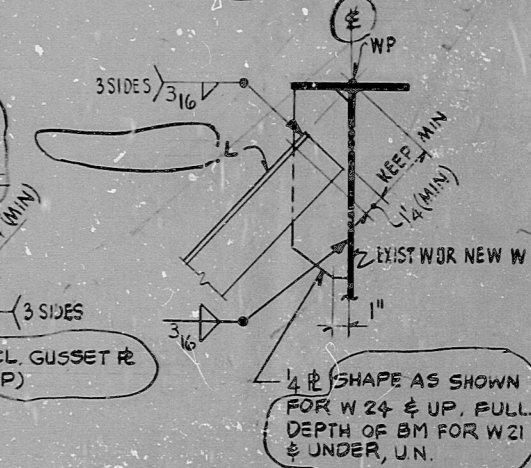
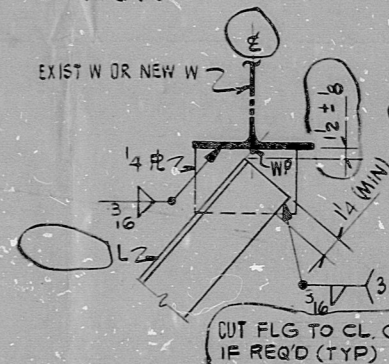
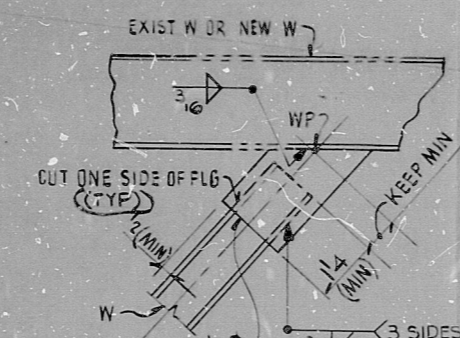
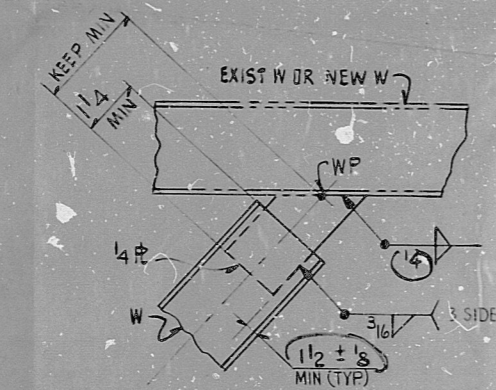
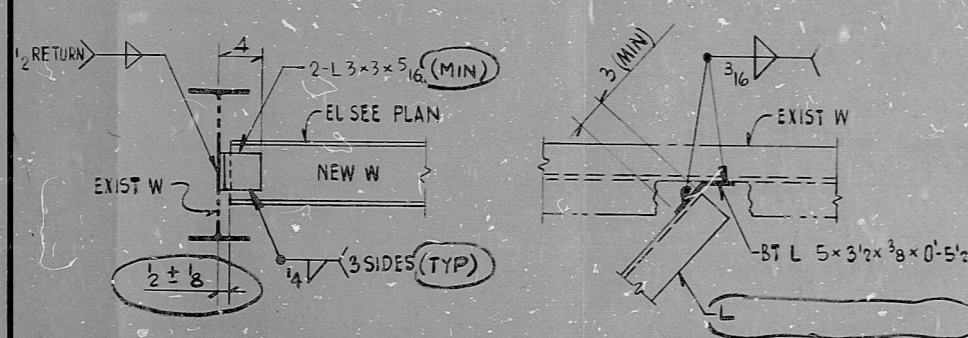


USE ONLY FOR SUPPORTS WITH BRG IN TWO DIRECTIONS

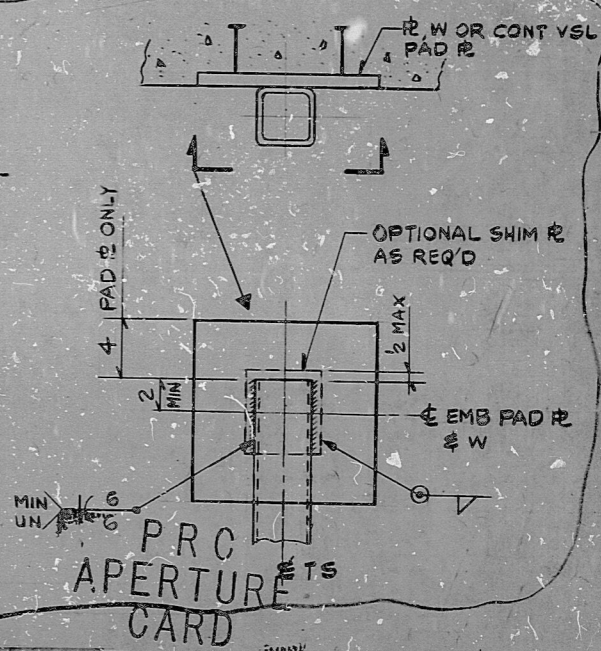
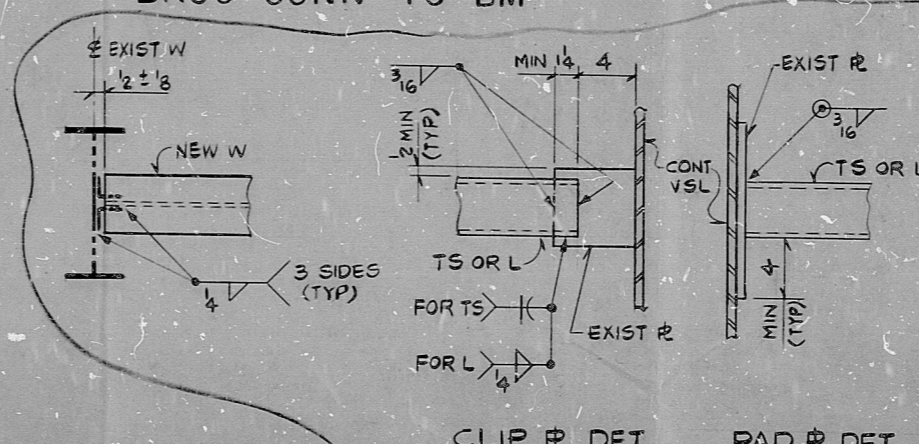
HGR CONN TO BM & BRG CONN TO HGR



BRG CONN TO BM



SUBFRMG CONN TO MAIN STEEL (BEAM OR COL)



CONN TO CONT VSL

THIS SHEET IS FOR SEISMIC APPLICATIONS FOR ALL BLDGS EXCEPT AS NOTED.

NUCLEAR SAFETY RELATED WPPSS QUALITY CLASS I,II & G

5 4 3 7-21-81 QM 2 2-17-81 SP 1 8-22-80 SP REV DATE BY APPROVED				EBASCO SERVICES INCORPORATED DIV. ELEC. DR. FDB CH. F.D. BEANE DATE APR 10, 1979 APPROVED LM C. Dominguez		WASHINGTON PUBLIC POWER SUPPLY SYSTEM NUCLEAR PROJECTS NO. 3 & 5 GENERAL NOTES, SYMBOLS AND REFERENCE DRAWINGS		WPPSS-3240 D-5023 SHEET 55-B	
--	--	--	--	--	--	--	--	------------------------------------	--

11

11

8.5

11

11

8.5

8.5

11

17

RIDS

8303210302

