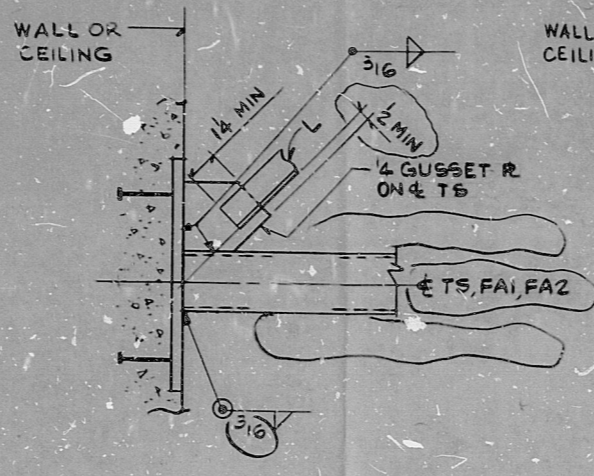
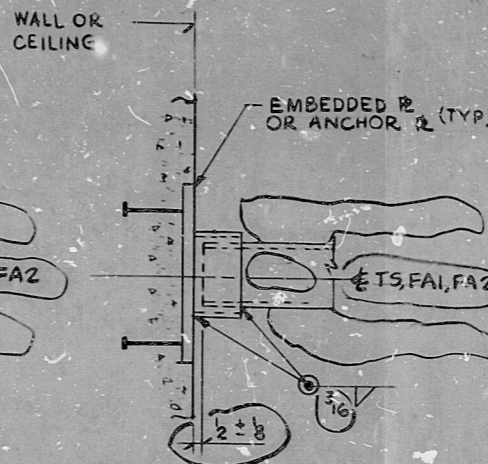


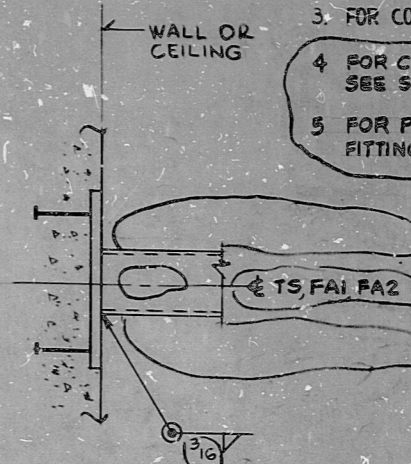
DET CA
ALT CONNECTIONS USING
PREFABRICATED FITTINGS



DET CA
SEE NOTE 1

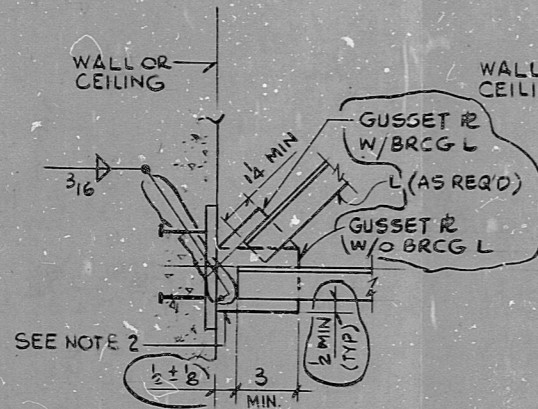


DET CB
ALT CONNECTION USING
PREFABRICATED FITTING

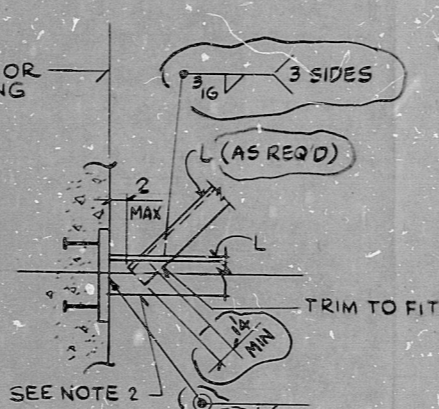


DET CB
SEE NOTE 1

- NOTES:
1. FOR TS CONN DETAILS NOT SHOWN SEE DET A-A ON SH. 55-4.
 2. FOR L CONN DETAILS NOT SHOWN SEE DET. AD ON SH. 55-4 (AND 8)
 3. FOR CONNECTION TO BEAMS SEE SH. 55-4
 4. FOR CONN DETAILS WITH SHIM R SEE SH. 55-4 DET A-A.
 5. FOR PREFABRICATED CONN. FITTINGS SEE SH. 55-7.

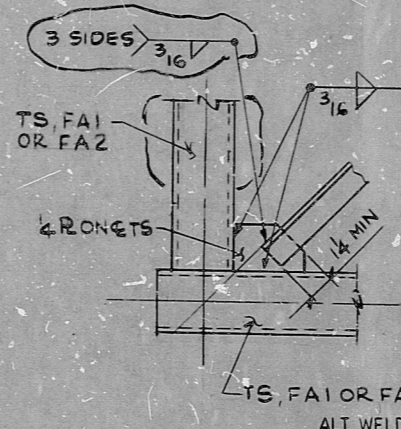


ALT 1

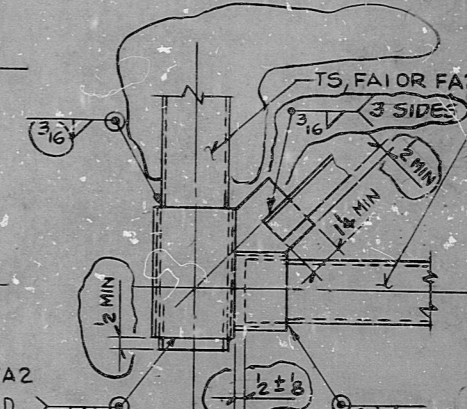


ALT 2

DET CC
SEE NOTE 1



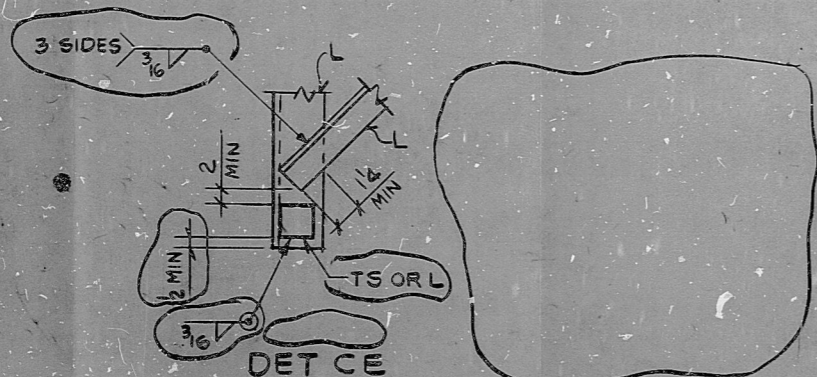
DET CD



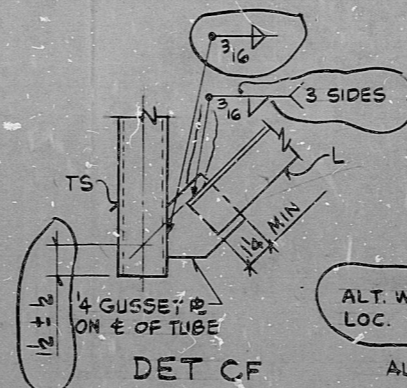
DET CD

ALT CONNECTION USING PREFABRICATED FITTINGS.

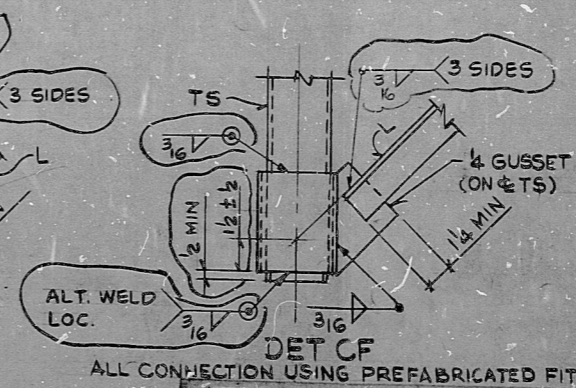
OPTIONAL ARR. OF FITTINGS @ FIELD'S DISCRETION



DET CE

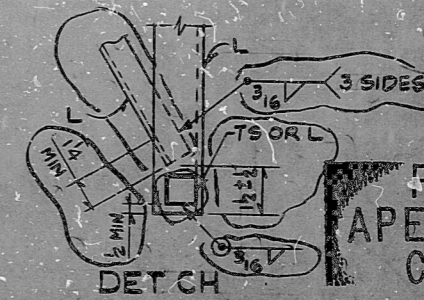


DET CF



DET CF

ALT CONNECTION USING PREFABRICATED FITTINGS



DET CH

PRC APERTURE CARD

THIS SHEET IS FOR SEISMIC APPLICATIONS FOR ALL BLDGS

REV.	DATE	BY	APPROVED
5			
4			
3	7-21-81	QM	[Signature]
2	2-11-81	RL	[Signature]
1	9-22-80	EP	[Signature]

EBASCO SERVICES INCORPORATED	
DIV. ELEG. DR. FDB	APPROVED [Signature]
CH. F. D. BEANE	[Signature]
DATE APR 10 1979	LM [Signature]

NUCLEAR SAFETY RELATED	WPPSS QUALITY CLASS 1, II & G
WASHINGTON PUBLIC POWER SUPPLY SYSTEM	
NUCLEAR PROJECTS NO. 3 & 5	
GENERAL NOTES SYMBOLS AND REFERENCE DRAWINGS	
WPPS-3240	D-5023
MAY 1980	

RIDS

8303210298

