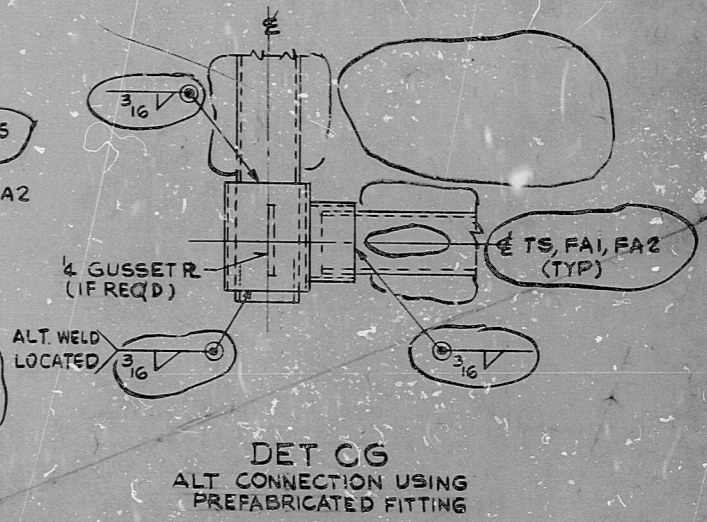
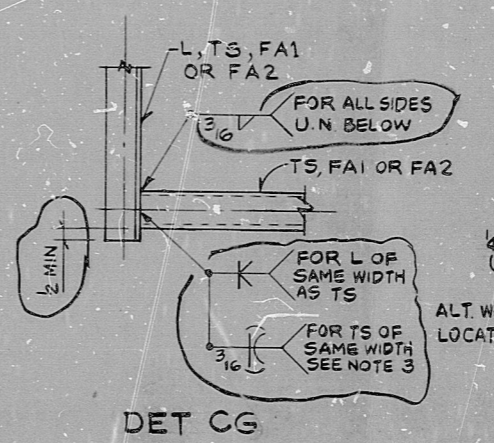
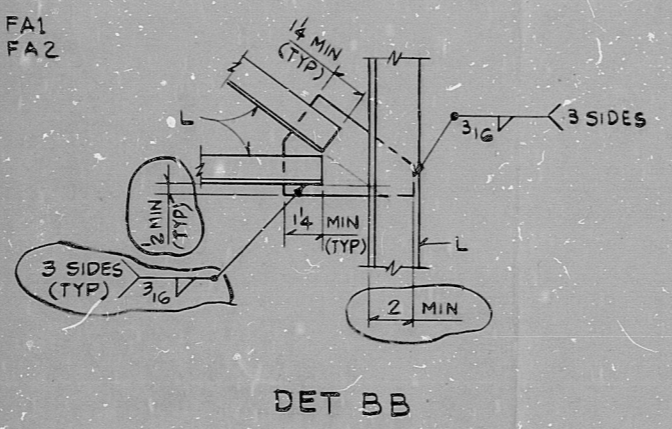
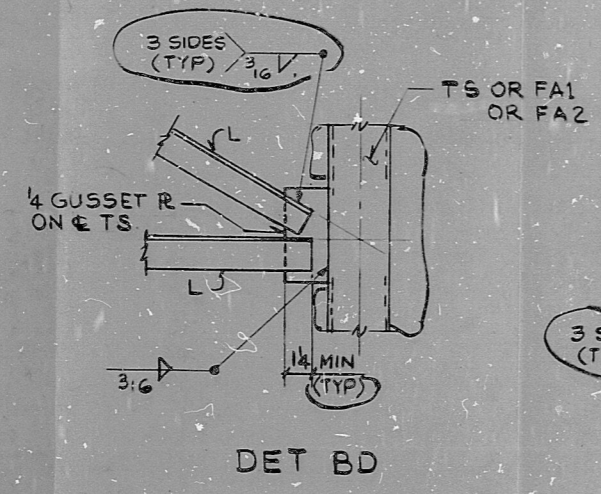
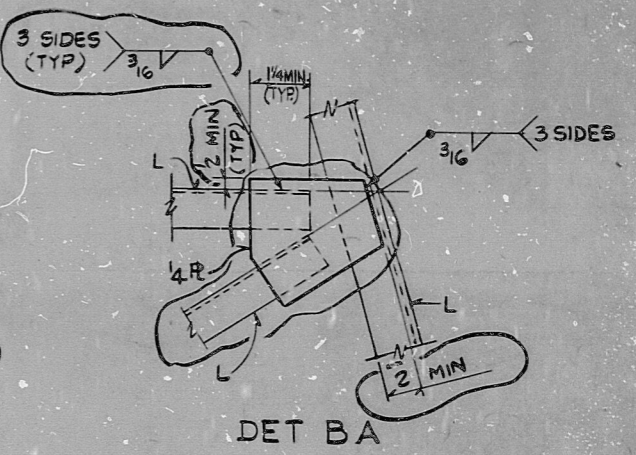
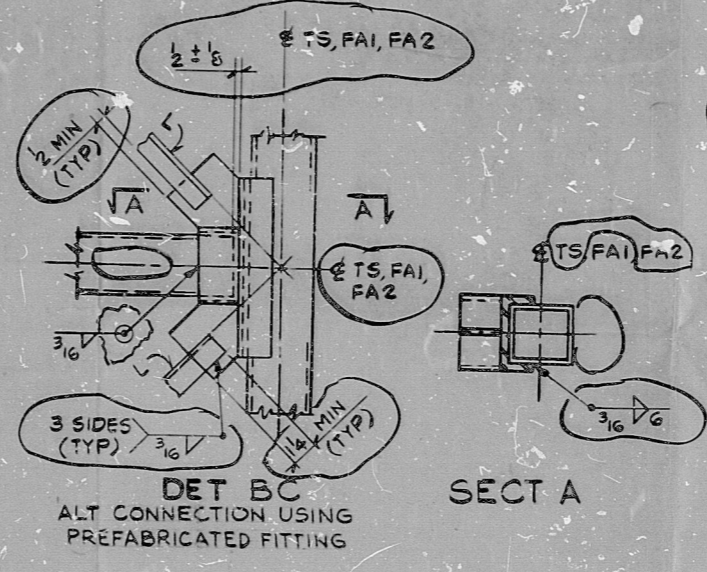
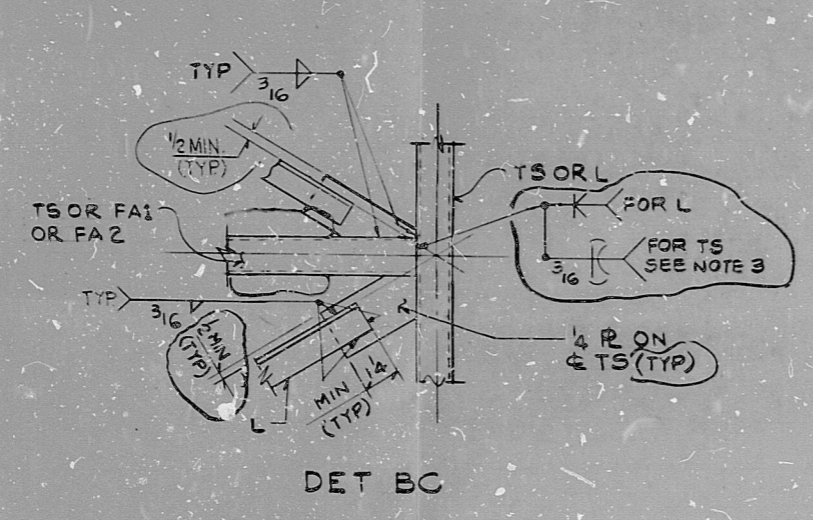


NOTES:

1. FOR TS CONN DETAILS NOT SHOWN SEE DETAIL A-A ON SH. 55-4.
2. FOR L CONN DETAILS NOT SHOWN SEE DETAIL A-D ON SH. 55-4.
3. MIN WELD SIZE AS SHOWN. WHEN WELD IS FLUSH OR ABOVE OUTSIDE SURFACE OF TS, CROWN MAY BE OMITTED.
4. FOR PREFABRICATED CONN. FITTINGS SEE SH. 55-7.



PRC
APERTURE
CARD

THIS SHEET IS FOR SEISMIC APPLICATIONS FOR ALL BLDG S

| | | | |
|------------------------------|---------|----|--------------|
| ERASCO SERVICES INCORPORATED | | | |
| 3 | 7-21-81 | QM | DR. FDB |
| 2 | 2-17-81 | RL | F.D. BEANE |
| 1 | 8-22-80 | SP | APR 10, 1979 |
| REV. | DATE | BY | APPROVED |

| | |
|---|-------------------------------|
| NUCLEAR SAFETY RELATED | WPPSS QUALITY CLASS 1, II & 6 |
| WASHINGTON PUBLIC POWER SUPPLY SYSTEM | WPPS-3240 |
| NUCLEAR PROJECTS NG. 3 & 5 | D-5C23 |
| GENERAL NOTES, SYMBOLS AND REFERENCE DRAWINGS | REV. 55-5 |

RIDS

8303210297

