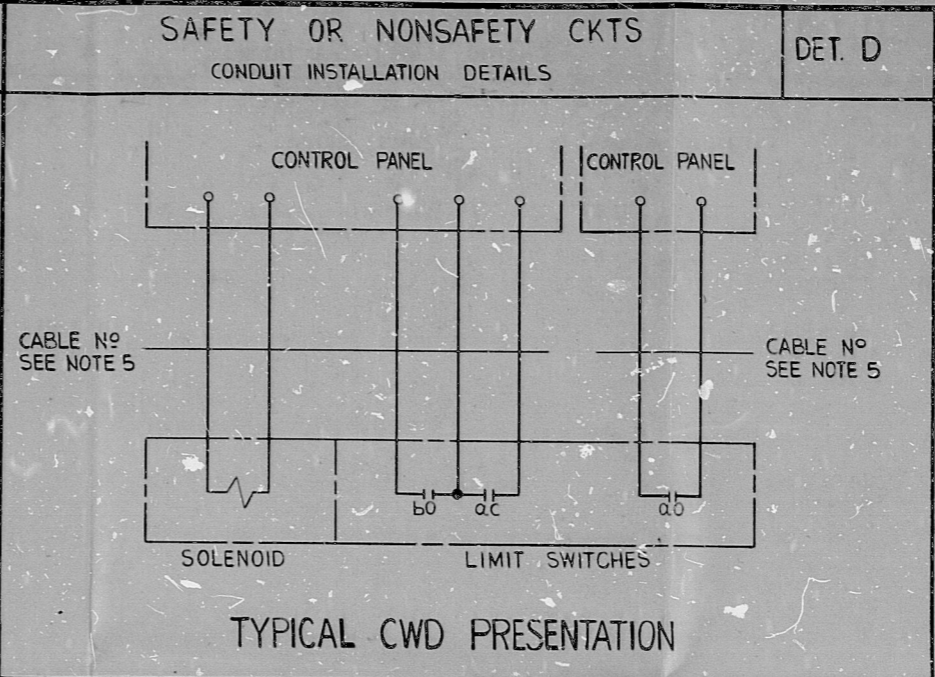
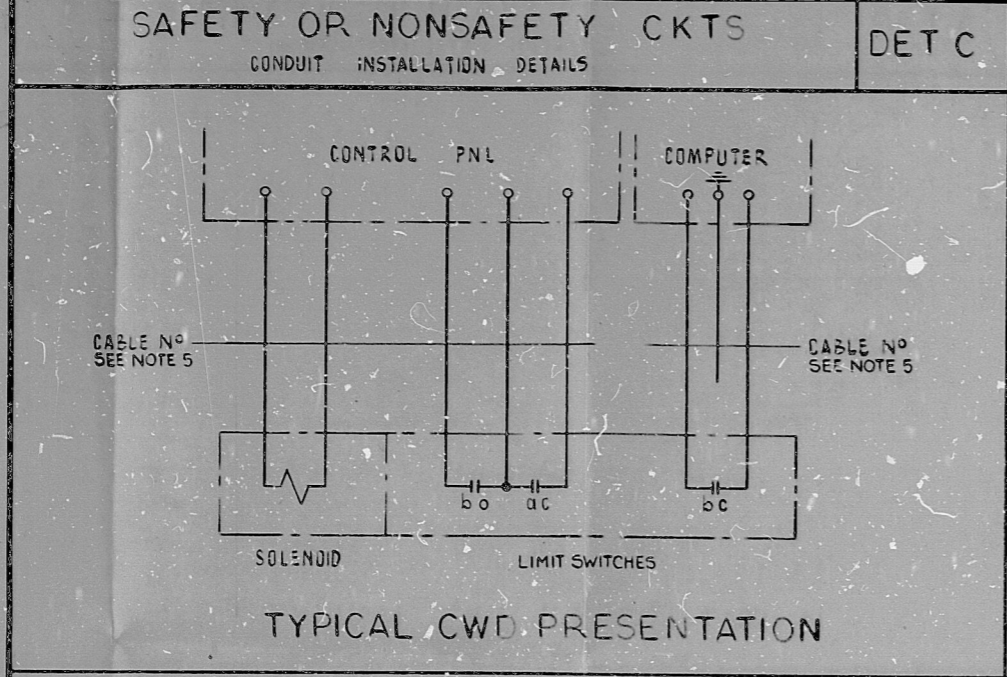
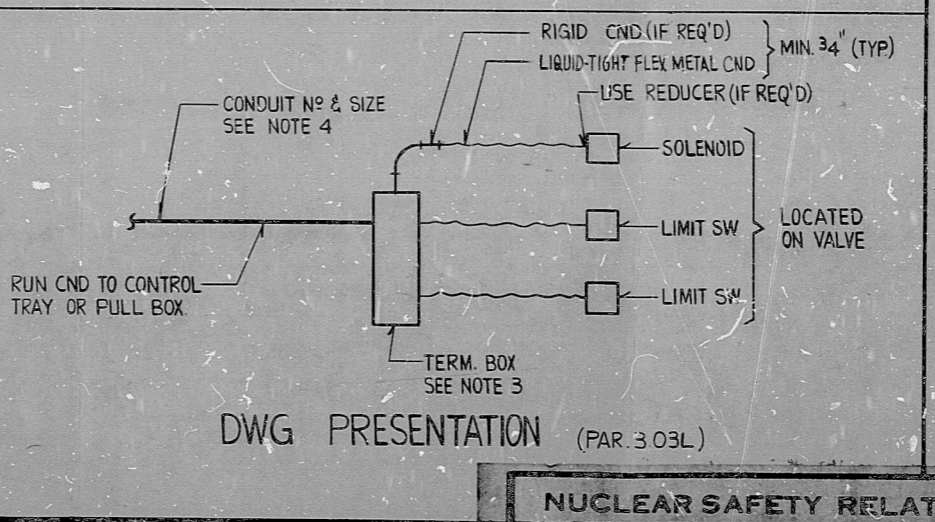
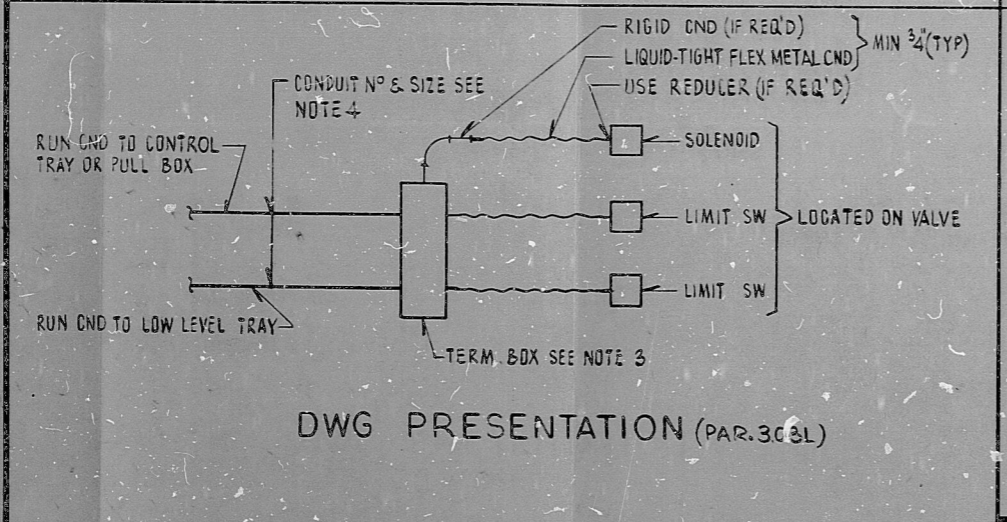
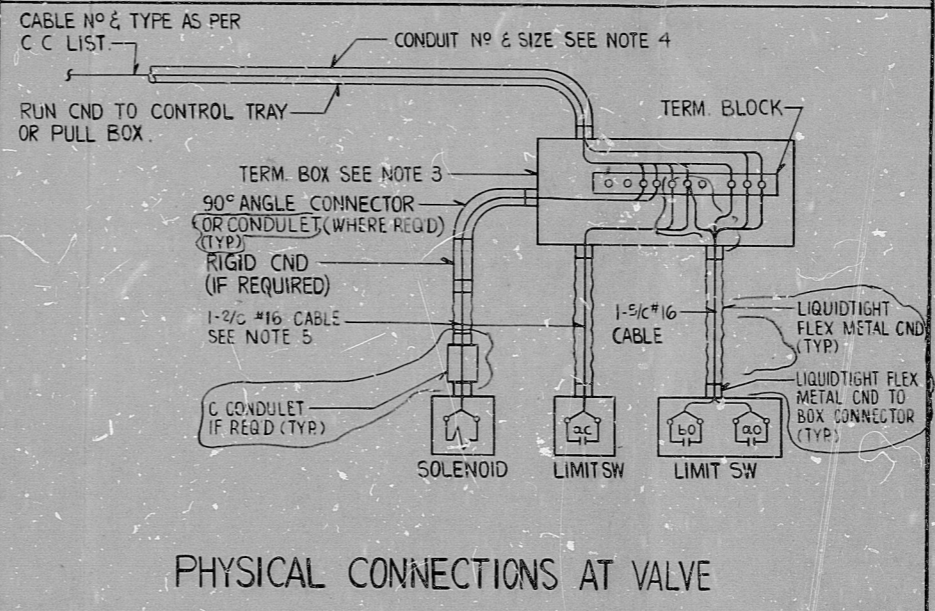
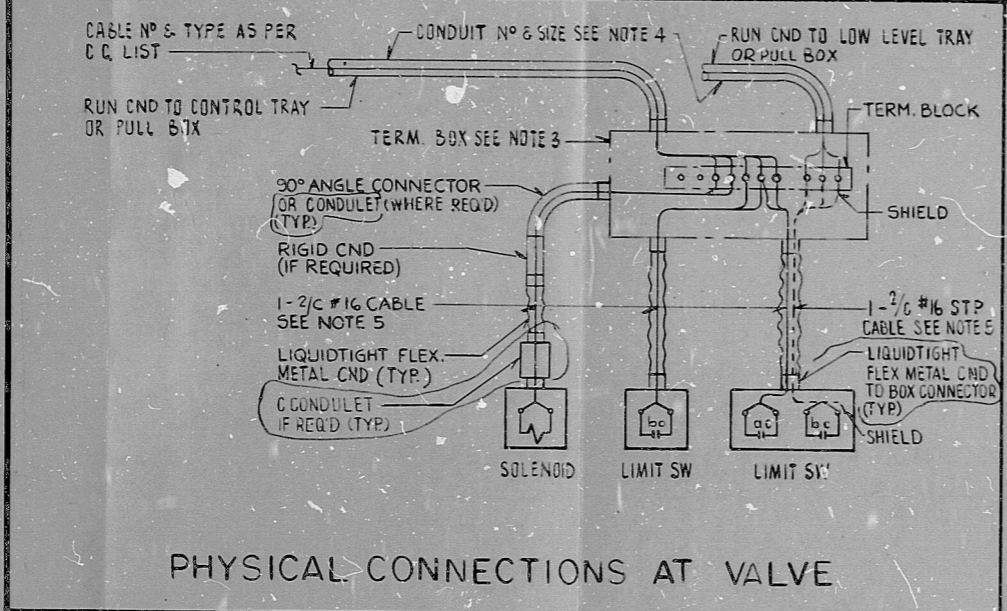


K&E 19 1203 4-77 41458



NOTES

1. FOR NOTES SEE SH 5L



PRC APERTURE CARD

NUCLEAR SAFETY RELATED WPPSS QUALITY CLASS I, II & G			
EBASCO SERVICES INCORPORATED		WASHINGTON PUBLIC POWER SUPPLY SYSTEM	
5 4 3 5-7-82 FL 2 2-17-81 RL 1 8-22-80 S.P.	CH. E. SENKUS DATE APR 10, 1979	APPROVED <i>[Signature]</i> L.M. C. [Signature]	WPPSS-3240 D-5023 SHEET 5M

11
11
8.5
8.5
11
11

11
11
8.5
8.5
11
11

RIDS

8303210275

