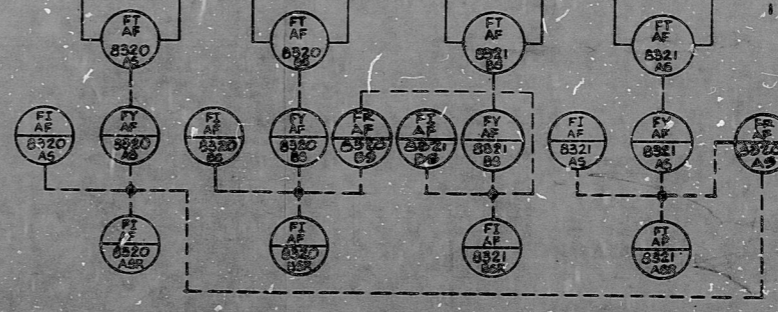


MOTOR 4 STEAM TURBINE DRIVEN AUX. FEEDWATER PUMPS B (5B) (SH. 378A)

MOTOR 4 STEAM TURBINE DRIVEN AUX. FEEDWATER PUMPS A (5A) (SH. 377A)

LOGIC
SH 319B + 319C



POOR ORIGINAL

P.P.S.
APERTURE
CARD

NUCLEAR SAFETY RELATED WPPSS QUALITY CLASS 1

5			
4			
3			
2			
1	6-25-82	PP	CH. J. PAGLIANTI
REV.	DATE	BY	APPROVED

EBASCO SERVICES INCORPORATED
DIV. INSTRUMENTS DR. BM
CH. J. PAGLIANTI
DATE: JAN. 31, 1979

WASHINGTON PUBLIC POWER SUPPLY SYSTEM
NUCLEAR PROJECT NO 3 & 5
INSTRUMENT SCHEMATIC - LOGIC DIAGRAM
AUXILIARY FEEDWATER TO STEAM GENERATORS NO. 1 & 2

WPPS-3240
D6080

RIDS

8303150186

