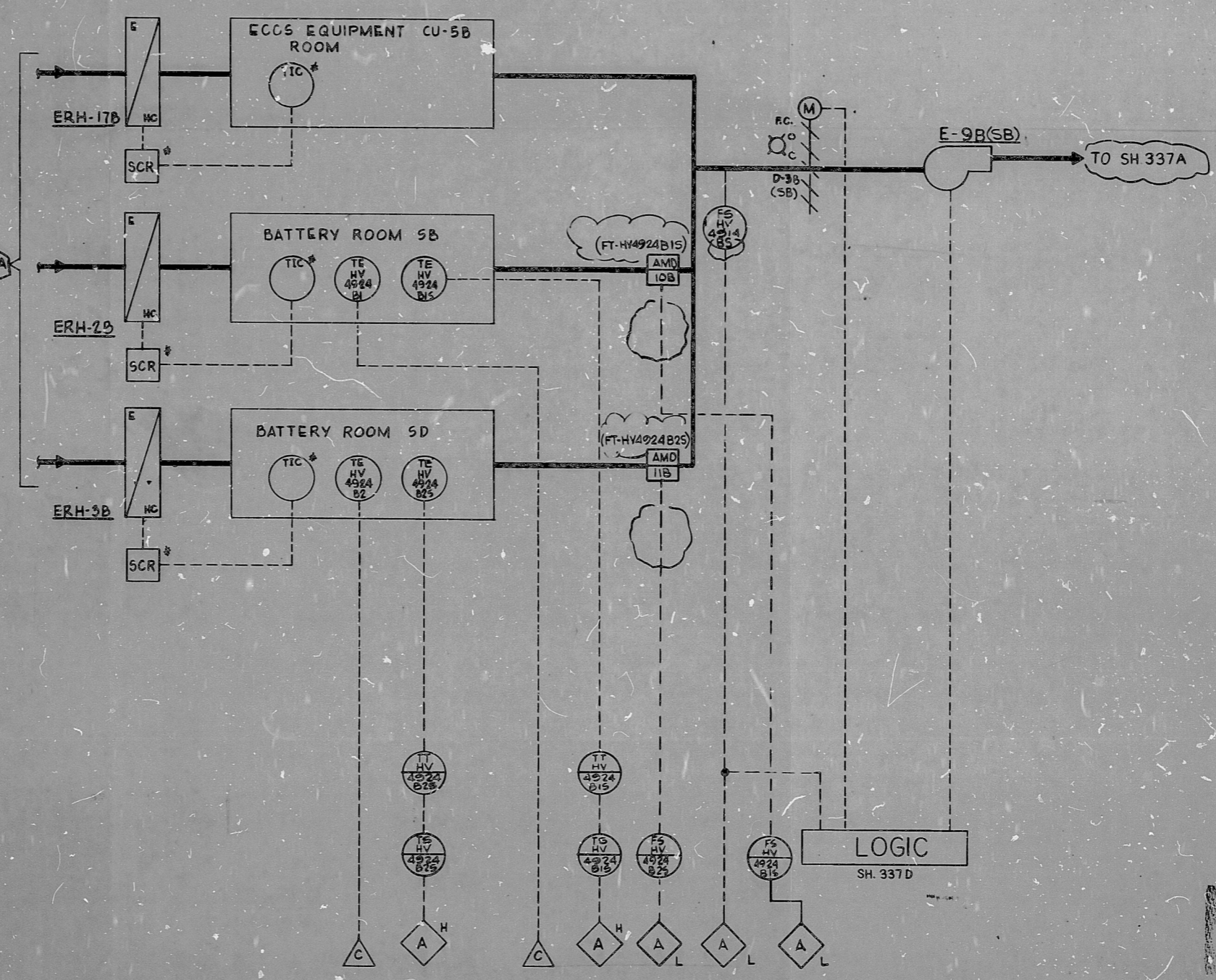


FROM AC UNIT AC-1B OR 1A  
SEE SH. 337B



NOTE:  
I & B TYPE CONTROLS

PRC  
APERTURE  
CARD

NUCLEAR SAFETY RELATED WPPSS QUALITY CLASS I

<table border="1"> <tr> <td>5</td> <td></td> <td></td> <td></td> </tr> <tr> <td>4</td> <td></td> <td></td> <td></td> </tr> <tr> <td>3</td> <td></td> <td></td> <td></td> </tr> <tr> <td>2</td> <td>6-11-82</td> <td>S.Z.</td> <td>PP</td> </tr> <tr> <td>1</td> <td>8-1-80</td> <td>PP</td> <td>PP</td> </tr> <tr> <td>REV.</td> <td>DATE</td> <td>BY</td> <td>APPROVED</td> </tr> </table>				5				4				3				2	6-11-82	S.Z.	PP	1	8-1-80	PP	PP	REV.	DATE	BY	APPROVED	<b>EBASCO SERVICES INCORPORATED</b> DIV. INSTRUMENTATION DR. AJ CH. J. PAGLIANTI DATE JAN. 26, 1979		APPROVED <i>D.J. Pica</i> <i>Paglianti</i>		WASHINGTON PUBLIC POWER SUPPLY SYSTEM NUCLEAR PROJECT NO 365 INSTRUMENT SCHEMATIC - LOGIC DIAGRAM ELECTRICAL AND BATTERY ROOMS A.C. TRAIN 'B'		<b>WPPS-3240</b> <b>D6080</b> <b>SHEET 337C</b>	
5																																			
4																																			
3																																			
2	6-11-82	S.Z.	PP																																
1	8-1-80	PP	PP																																
REV.	DATE	BY	APPROVED																																

SCALE 1/8" = 1'-0" 11-70 000350



RIDS<sub>2</sub>

8303150032

