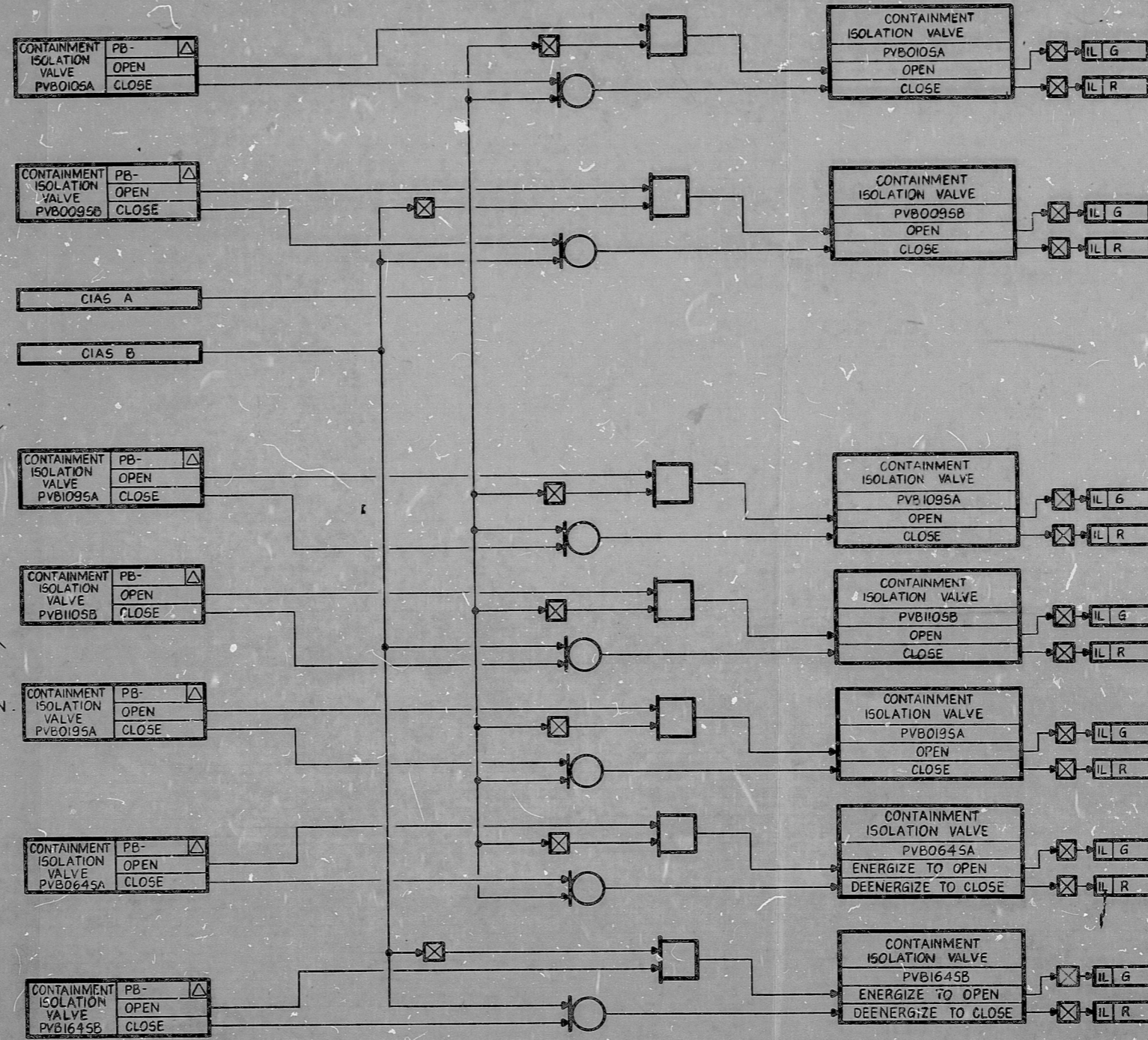


HYDROGEN PURGE SYSTEM TRAIN 'A'

HYDROGEN PURGE SYSTEM TRAIN 'B'

CONTAINMENT VENT SYSTEM AND HYDROGEN PURGE SYSTEM TRAIN 'A' & 'B'

CONTAINMENT VENT SYSTEM



PRC APERTURE CARD

NUCLEAR SAFETY RELATED WPPSS QUALITY CLASS 1

EBASCO SERVICES INCORPORATED DIV. INSTRUMENTATION DR. BM CH. J. PAGLIANTI DATE JAN. 26, 1979			APPROVED <i>[Signature]</i> ACC. <i>[Signature]</i>		WASHINGTON PUBLIC POWER SUPPLY SYSTEM NUCLEAR PROJECT NO 3 & 5 INSTRUMENT SCHEMATIC - LOGIC DIAGRAM HYDROGEN PURGE SYSTEM A & B AND CONTAINMENT VENT SYSTEM		WPPSS-3240 D6080 SHEET 3278
REV.	DATE	BY	APPROVED				

RIDS

83031400122

