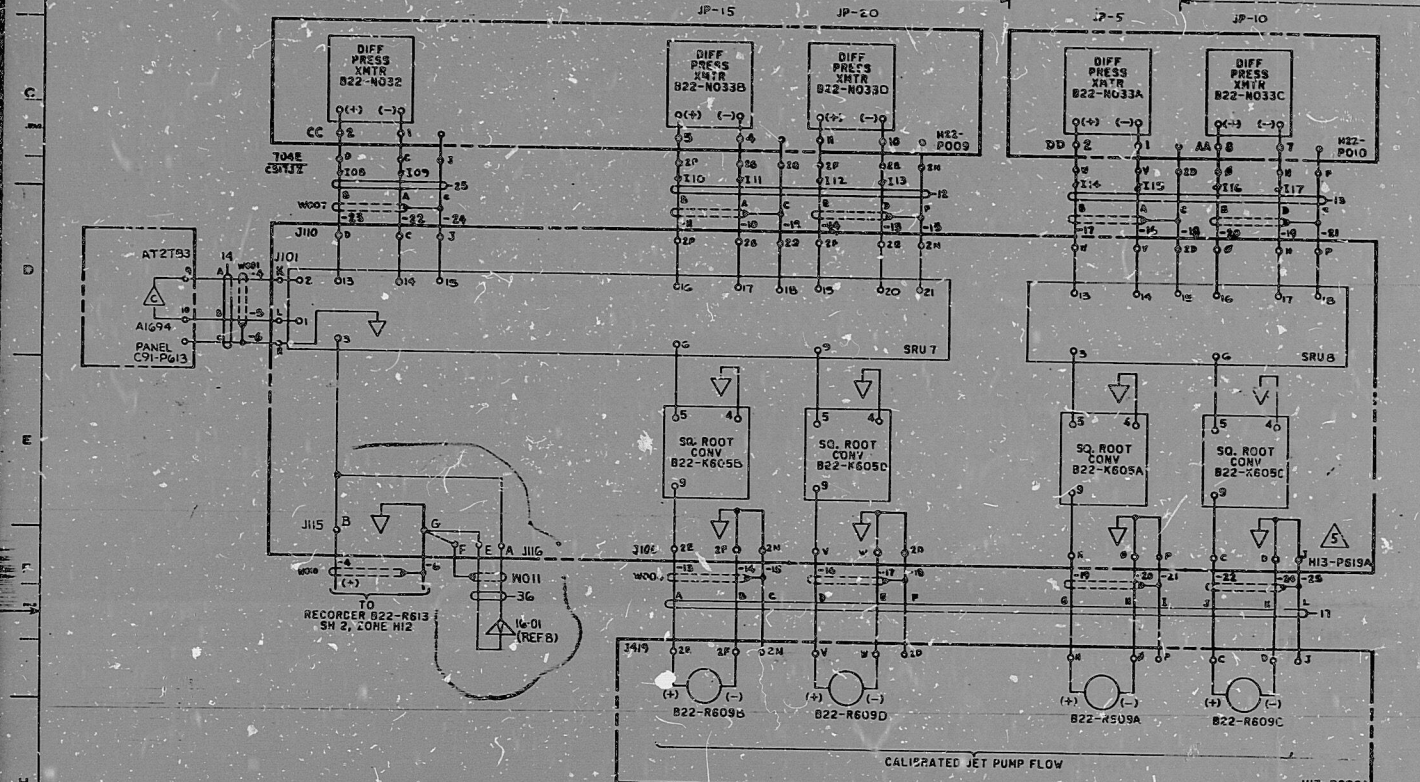


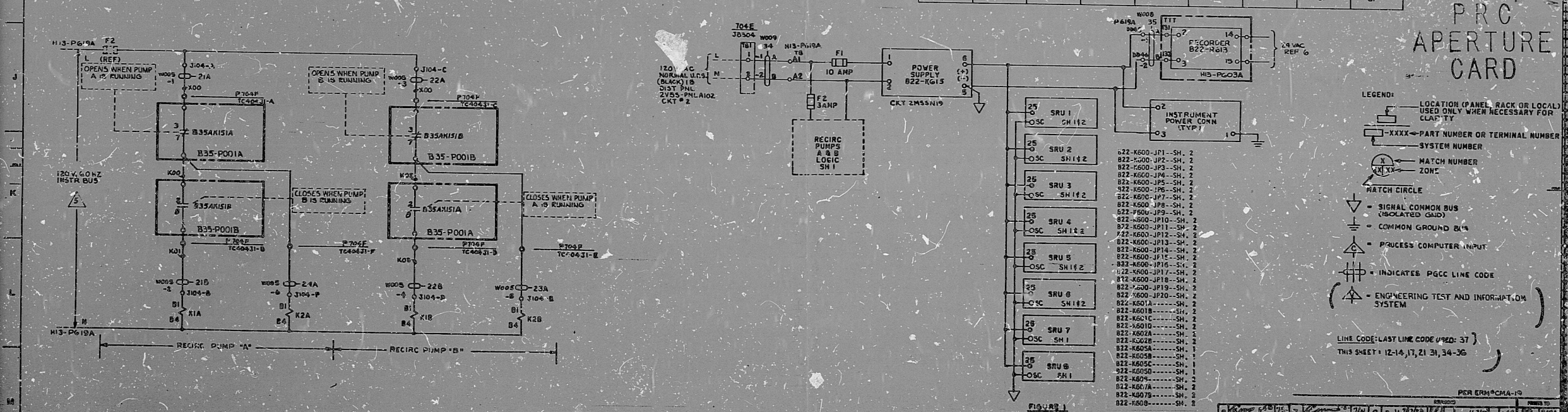
GENERAL ELECTRIC 807E156TY
 JET PUMP INSTR SYSTEM
 MODEL NO. 238A17A4F, G1 (B22-1030)
 OVERALL REVISION: 1, 2, 3, 4, 5, 6, 7, 8, 9, 10, 11, 12



- NOTES:
- INTRAPANEL PROCESS INSTRUMENTATION SIGNAL LEADS SHALL BE BUNDLED AND ROUTED SEPARATELY FROM AC AND DC POWER WIRING.
 - UNLESS OTHERWISE INDICATED, THE FOLLOWING REFERENCE DESIGNATIONS SHOWN ON THIS DIAGRAM ARE PREFIXED WITH B22 REF DESIG.
- | REF DESIG | NAME |
|-----------|------------------------|
| FXX | FUSE |
| KXX | RELAY |
| XX | SIGNAL RESIST LIMIT |
| XX | LINE CODE (SEE LEGEND) |
| WXX | WIRING |
- THE FOLLOWING INSTRUMENTS, MOUNTED IN HIS-P619 ARE SUPPLIED WITH JET PUMP NO. EXAMPLE: B22-R608 (JP-1) B22-R600 (JP-1)
4. REMOVED
 (SEE SHI POWER DISTRIBUTION, FIG. 1)

MPL. NO.	REFERENCE DOCUMENTS
1	B22-1010 NUCLEAR BOILER P#1D, SH182
2	B22-1030 NUCLEAR BOILER FCO, SH2
3	B22-1040 NUCLEAR BOILER P#1D DATA
4	B22-3050 NUCLEAR BOILER INSTRUMENT DATA SHEETS
5	B22-1050 NUCLEAR BOILER PROCESS INSTRM SYS ELEM DIAG (B22A)
6	CSI-1080 POWER RANGE NEUTRON MON SYS ELEM DIAG (CS1B)
7	G33-1050 REACTOR WATER CLEANUP SYS ELEM DIAG (G33A)
8	C88-1050 ENGINEERING TEST AND INFORMATION SYSTEM

BI	M1	M2	M3	M4	M5	M6	M7	M8
K1A SH1	B22-K608 SH2	B22-K608 SH2	B22-K608 SH2	B22-K608 SH2	B22-K608 SH2	B22-K608 SH2	B22-K608 SH2	B22-K608 SH2
K1B SH1	B22-K608 SH2	B22-K608 SH2	B22-K608 SH2	B22-K608 SH2	B22-K608 SH2	B22-K608 SH2	B22-K608 SH2	B22-K608 SH2
K2A SH1	COMPUTER SH2	5P	5P	5P	5P	5P	5P	5P
K2B SH1	COMPUTER SH2	5P	5P	5P	5P	5P	5P	5P



PRC APERTURE CARD

- LEGEND:
- LOCATION (PANEL, BACK OR LOCAL) USED ONLY WHEN NECESSARY FOR CLARITY
 - XXXX - PART NUMBER OR TERMINAL NUMBER
 - SYSTEM NUMBER
 - MATCH NUMBER
 - ZONE
 - MATCH CIRCLE
 - = SIGNAL COMMON BUS (UNCONNECTED GND)
 - ⊕ = COMMON GROUND BULK
 - △ = PROCESS COMPUTER INPUT
 - ⊞ = INDICATES PGCC LINE CODE
 - ⊞ = ENGINEERING TEST AND INFORMATION SYSTEM
- LINE CODE: LAST LINE CODE (P#00-37)
 THIS SHEET: 12, 14, 17, 21, 31, 34, 36

FIGURE 1 PANEL HIS-P619A

NO.	DESCRIPTION	REV.	DATE	BY	CHKD.
1
2
3
4
5
6
7
8
9
10
11
12

PDR RIDS

840/2505/3

