

11

11

8.5

8.5

11

17

11

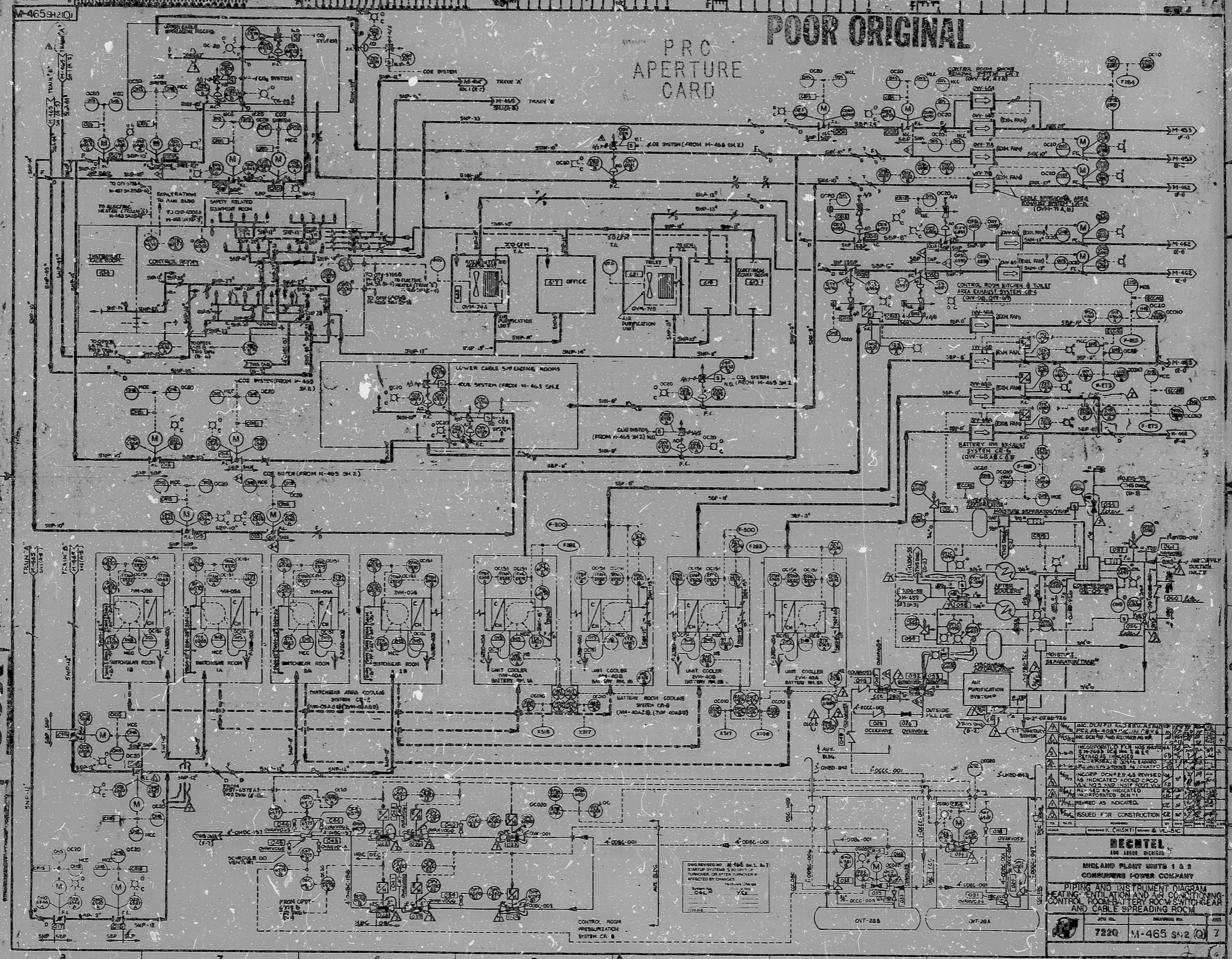
11

8.5

8.5

11

17



30X

THIS DIAGRAM IS THE PROPERTY OF BECHTEL INC. AND IS NOT TO BE REPRODUCED OR TRANSMITTED IN ANY FORM OR BY ANY MEANS, ELECTRONIC OR MECHANICAL, INCLUDING PHOTOCOPYING, RECORDING, OR BY ANY INFORMATION STORAGE AND RETRIEVAL SYSTEM.

INCORPORATED FOR THIS PROJECT PER PLAN NO. M-465 (REV. 11/64) SHEET NO. 7
 THIS DIAGRAM IS THE PROPERTY OF BECHTEL INC. AND IS NOT TO BE REPRODUCED OR TRANSMITTED IN ANY FORM OR BY ANY MEANS, ELECTRONIC OR MECHANICAL, INCLUDING PHOTOCOPYING, RECORDING, OR BY ANY INFORMATION STORAGE AND RETRIEVAL SYSTEM.

REVISIONS:
 1. AS INDICATED
 2. AS INDICATED
 3. AS INDICATED
 4. AS INDICATED
 5. AS INDICATED
 6. AS INDICATED
 7. AS INDICATED
 8. AS INDICATED
 9. AS INDICATED
 10. AS INDICATED
 11. AS INDICATED
 12. AS INDICATED
 13. AS INDICATED
 14. AS INDICATED
 15. AS INDICATED
 16. AS INDICATED
 17. AS INDICATED
 18. AS INDICATED
 19. AS INDICATED
 20. AS INDICATED
 21. AS INDICATED
 22. AS INDICATED
 23. AS INDICATED
 24. AS INDICATED
 25. AS INDICATED
 26. AS INDICATED
 27. AS INDICATED
 28. AS INDICATED
 29. AS INDICATED
 30. AS INDICATED
 31. AS INDICATED
 32. AS INDICATED
 33. AS INDICATED
 34. AS INDICATED
 35. AS INDICATED
 36. AS INDICATED
 37. AS INDICATED
 38. AS INDICATED
 39. AS INDICATED
 40. AS INDICATED
 41. AS INDICATED
 42. AS INDICATED
 43. AS INDICATED
 44. AS INDICATED
 45. AS INDICATED
 46. AS INDICATED
 47. AS INDICATED
 48. AS INDICATED
 49. AS INDICATED
 50. AS INDICATED
 51. AS INDICATED
 52. AS INDICATED
 53. AS INDICATED
 54. AS INDICATED
 55. AS INDICATED
 56. AS INDICATED
 57. AS INDICATED
 58. AS INDICATED
 59. AS INDICATED
 60. AS INDICATED
 61. AS INDICATED
 62. AS INDICATED
 63. AS INDICATED
 64. AS INDICATED
 65. AS INDICATED
 66. AS INDICATED
 67. AS INDICATED
 68. AS INDICATED
 69. AS INDICATED
 70. AS INDICATED
 71. AS INDICATED
 72. AS INDICATED
 73. AS INDICATED
 74. AS INDICATED
 75. AS INDICATED
 76. AS INDICATED
 77. AS INDICATED
 78. AS INDICATED
 79. AS INDICATED
 80. AS INDICATED
 81. AS INDICATED
 82. AS INDICATED
 83. AS INDICATED
 84. AS INDICATED
 85. AS INDICATED
 86. AS INDICATED
 87. AS INDICATED
 88. AS INDICATED
 89. AS INDICATED
 90. AS INDICATED
 91. AS INDICATED
 92. AS INDICATED
 93. AS INDICATED
 94. AS INDICATED
 95. AS INDICATED
 96. AS INDICATED
 97. AS INDICATED
 98. AS INDICATED
 99. AS INDICATED
 100. AS INDICATED

BECHTEL
 AN IRVING-CLOUD COMPANY
 MIDLAND PLANT UNITS 1 & 2
 CONSUMERS POWER COMPANY
 PIPING AND INSTRUMENT DIAGRAM
 HEATING, VENTILATION AND AIR CONDITIONING
 CONTROL ROOM, BATTERY ROOM SWITCHGEAR
 AND CABLE SPREADING ROOM
 SHEET NO. 7
 M-465 SH2 Q 7

RIDS

8302140156

