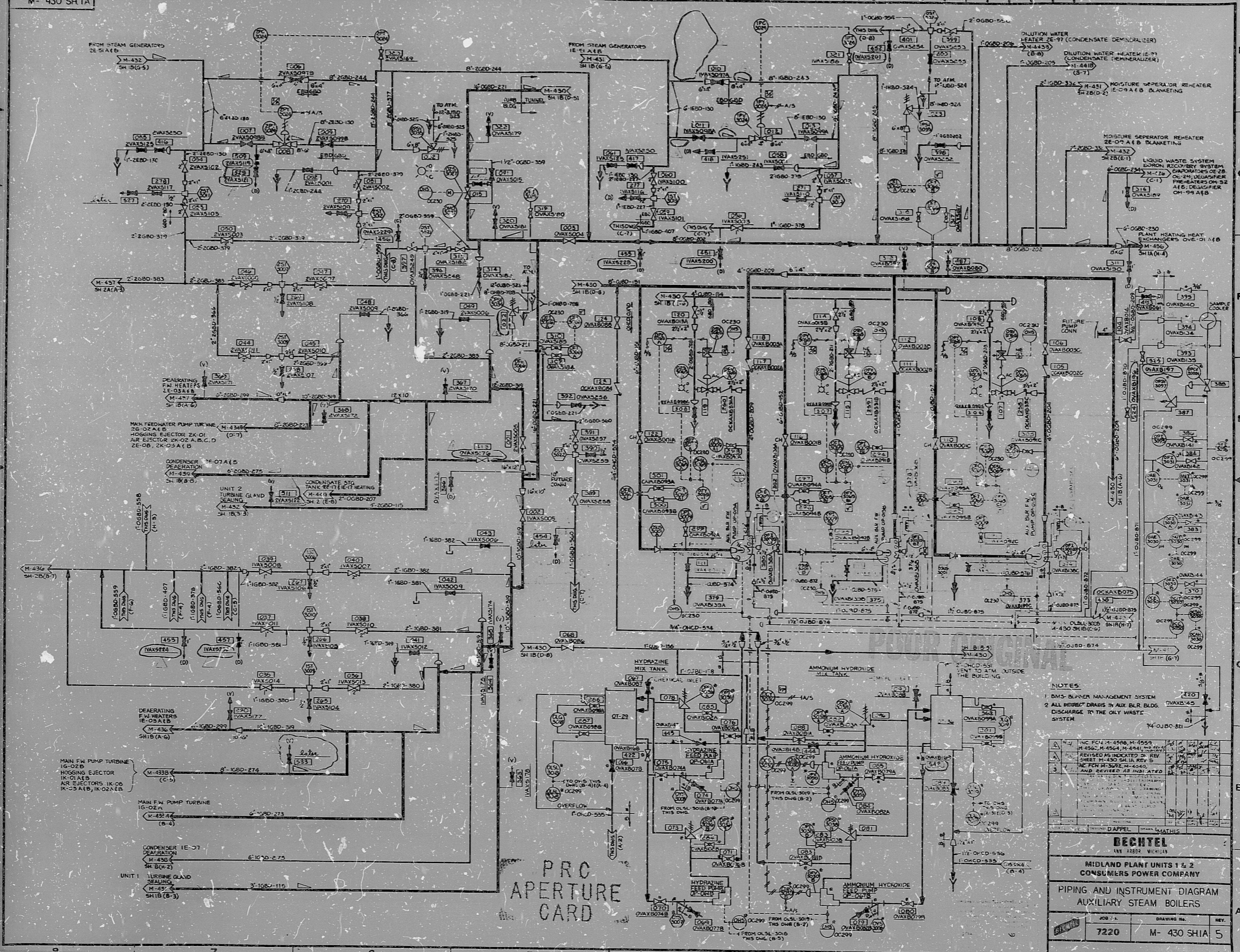


M-430 SH 1A



PRC APERTURE CARD

NOTES

1. BMS-BLANKER MANAGEMENT SYSTEM
2. ALL BMS-BLANKER MANAGEMENT SYSTEM DISCHARGE TO THE OIL WASTE SYSTEM

NO.	DESCRIPTION	DATE	BY	CHKD.
1	ISSUED FOR CONSTRUCTION	11-15-88	M. J. HARRIS	
2	REVISED AS INDICATED ON SHEET M-430 SH 1A REV. 5	11-15-88	M. J. HARRIS	
3	REVISED AS INDICATED ON SHEET M-430 SH 1A REV. 5	11-15-88	M. J. HARRIS	

BECHTEL		
MIDLAND PLANT UNITS 1 & 2 CONSUMERS POWER COMPANY		
PIPING AND INSTRUMENT DIAGRAM AUXILIARY STEAM BOILERS		
JOB NO. 7220	DRAWING NO. M-430 SH 1A	REV. 5

11"

11"

8.5"

8.5"

11"

17"

17"

11"

8.5"

8.5"

11"

17"

30X

RIDS

8302090628

