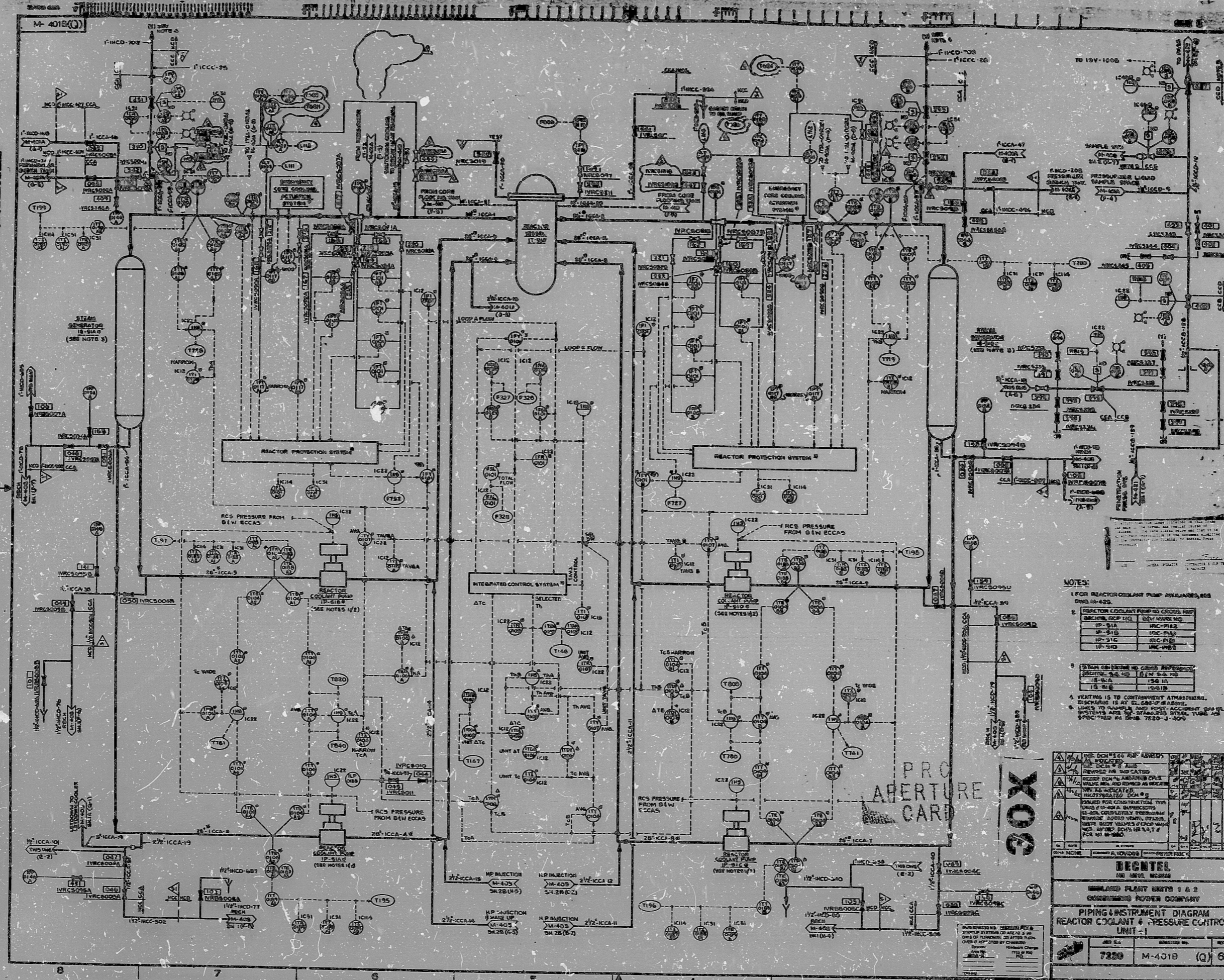


11
11
8.5
8.5
11
17



- NOTES:
- FOR REACTOR COOLANT PUMP EXHAUSTED, SEE DRAWING 401B-403.
 - REACTOR COOLANT PUMP CROSS SECTION DRAWING IS AT 401B-403.
 - REACTOR COOLANT PUMP CROSS SECTION DRAWING IS AT 401B-403.
 - VENTING IS TO CONTINGENCY ATMOSPHERE. DISCHARGE IS AT 401B-403.
 - USES TO SAMPLE AND POST-ACCIDENT SAMPLE SYSTEMS AND TO SAMPLE OTHER TUBES AND SPIC TUBES IN DRAWING 7220-J-300.

NO.	DESCRIPTION	REV.
1	ISSUED FOR CONSTRUCTION	1
2	ISSUED FOR CONSTRUCTION	2
3	ISSUED FOR CONSTRUCTION	3
4	ISSUED FOR CONSTRUCTION	4
5	ISSUED FOR CONSTRUCTION	5
6	ISSUED FOR CONSTRUCTION	6

DECNETEL
FOR INSTRUMENTATION

ISSUED PLANT UNIT 1 & 2
OPERATING POWER COMPANY

PIPING & INSTRUMENT DIAGRAM
REACTOR COOLANT & PRESSURE CONTROL
UNIT-1

7220 M-401B (Q) 6

11
11
8.5
8.5
11
17

PRO
APERTURE
CARD

30X

RIDS

8302090436

