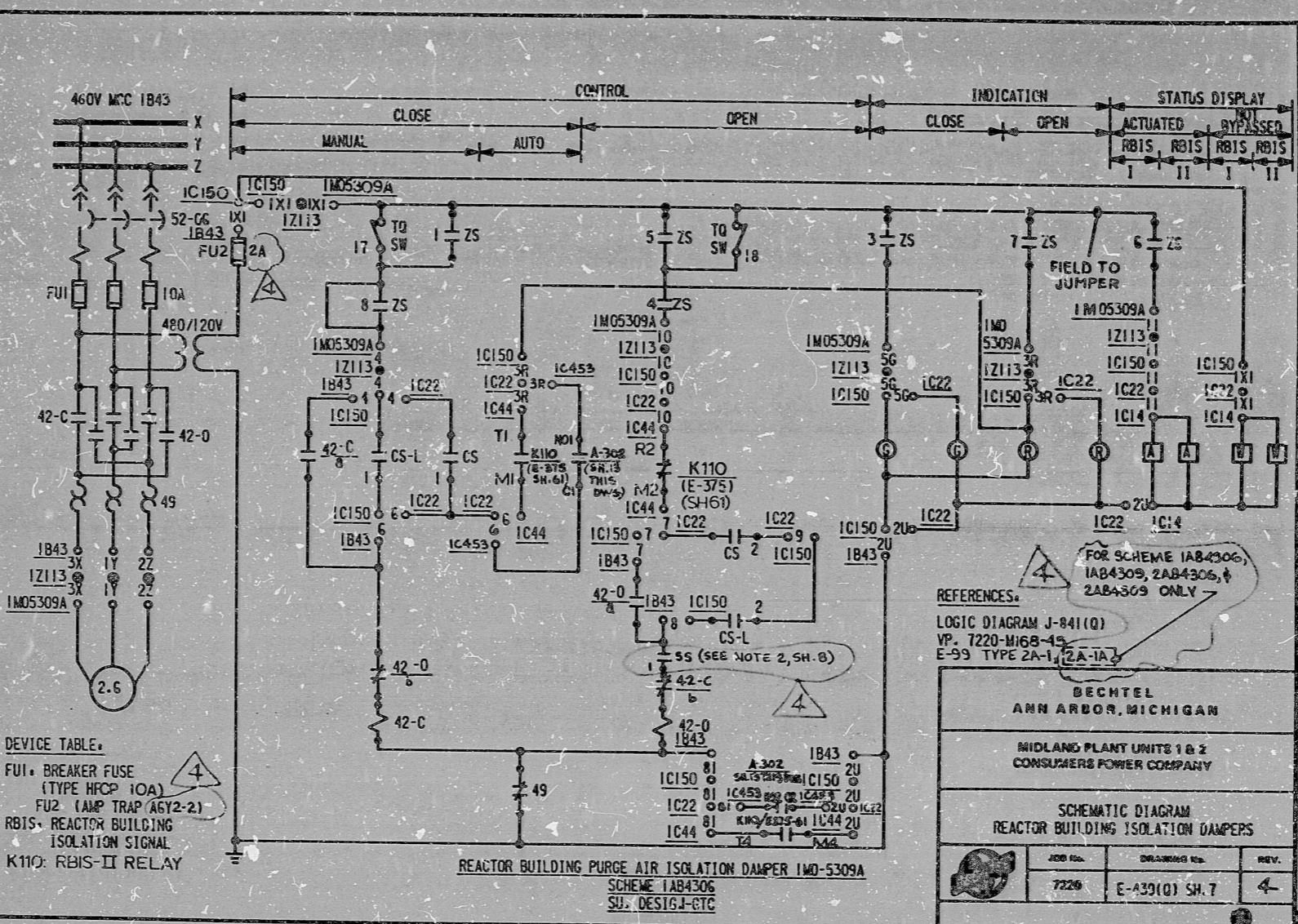


11
11
8.5
8.5
11
11
17

11
11
8.5
8.5
11
11
17

This drawing and the design it covers are the property of BECHTEL. They are hereby loaned and on the borrower's express agreement that they will not be reproduced, copied, altered, exhibited, or otherwise used in any way without the express written consent given by the lender to the borrower.

1	ISSUED FOR CONSTRUCTION	11/1/82	11/1/82
2	ISSUED FOR CONSTRUCTION	11/1/82	11/1/82
3	ISSUED FOR CONSTRUCTION	11/1/82	11/1/82
4	ISSUED FOR CONSTRUCTION	11/1/82	11/1/82



DEVICE TABLE:
 FU1 - BREAKER FUSE
 (TYPE HFCC 10A)
 FU2 (AMP TRAP AGY2-2)
 RBIS - REACTOR BUILDING
 ISOLATION SIGNAL
 K110: RBIS-II RELAY

REACTOR BUILDING PURGE AIR ISOLATION DAMPER IMD-5309A
 SCHEME IAB4306
 SU, DESIG-J-ETC

REFERENCES:
 LOGIC DIAGRAM J-841(Q)
 VP-7220-M168-45
 E-93 TYPE 2A-1, 2A-1A

BECHTEL ANN ARBOR, MICHIGAN		
MIDLAND PLANT UNITS 1 & 2 CONSUMERS POWER COMPANY		
SCHEMATIC DIAGRAM REACTOR BUILDING ISOLATION DAMPERS		
ADD. NO.	DRAWING NO.	REV.
7226	E-433101 SH. 7	4

"I certify that the image contained on this frame was made in the normal and regular course of business, on the date stated below and that it is an accurate reproduction of the document submitted to the contractor for filming, by Bechtel Power Corporation.

11-1-82 DATE
 M. C. GIBSON CAMERA OPERATOR
 M. J. HANCOCK CONTRACTOR'S SUPERVISOR
 OF MANAGER

16X

PRC
 APERTURE
 CARD

RIDS

8302090112

