

11

11

9.8

8.5"

11"

17"

11

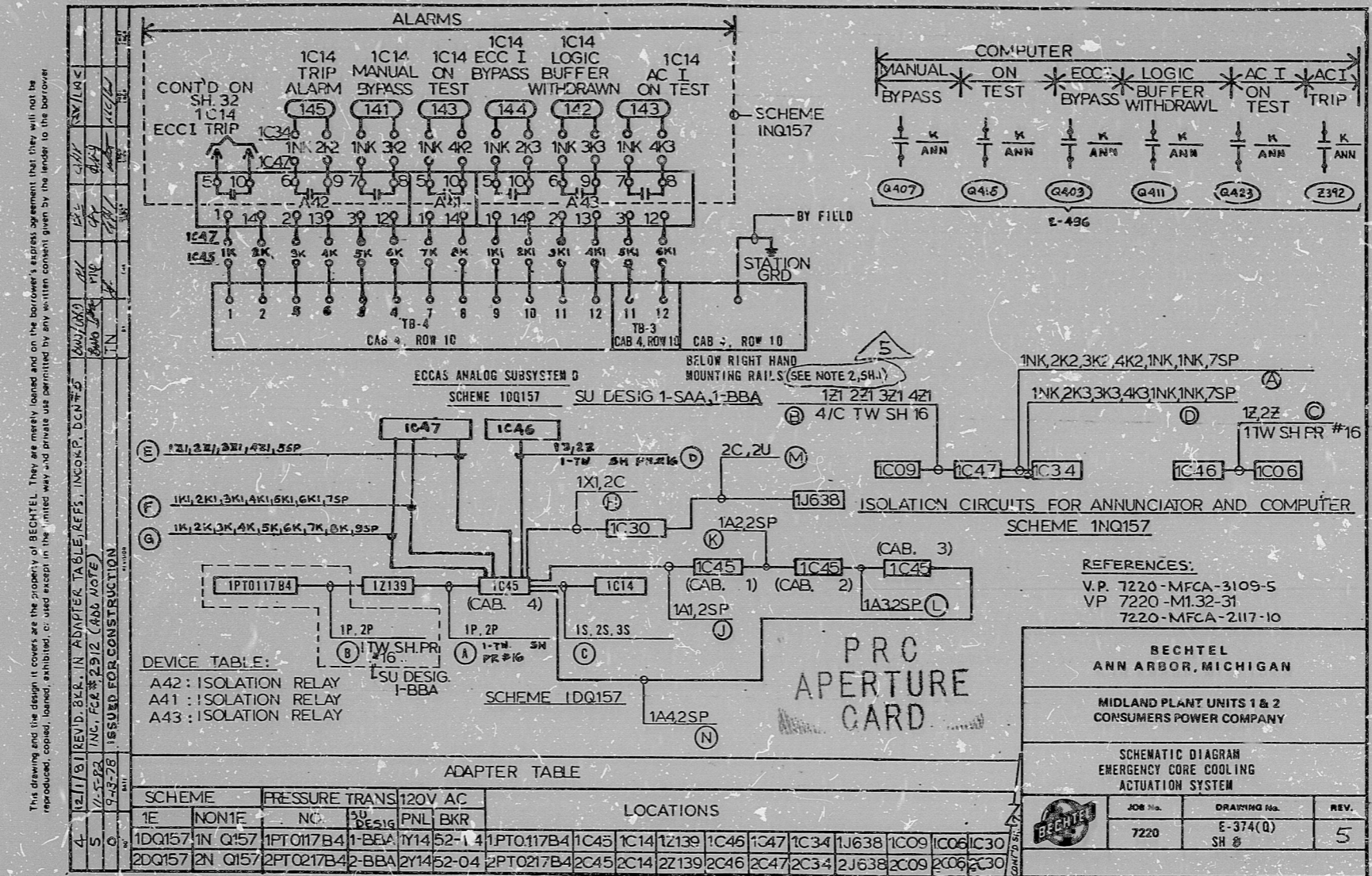
11

9.8

8.5"

11"

17"



DEVICE TABLE:

A42	: ISOLATION RELAY
A41	: ISOLATION RELAY
A43	: ISOLATION RELAY

ADAPTER TABLE

SCHEME	FREQUENCY	TRANS	120V AC	LOCATIONS
1E	NONIF	NC	SU DESIG	PNL BKR
1DQ157	1N	Q157	1PT0117B4	1-BEA 1Y14 52-1 4
2DQ157	2N	Q157	2PT0217B4	2-BBA 2Y14 52-04
			1PT0117B4	1C45 1C14 1Z139 1C46 1C47 1C34 1J638 1C09 1C06 1C30
			2DQ157	2C45 2C14 2Z139 2C46 2C47 2C34 2J638 2C09 2C06 2C30



CERTIFICATE OF MICROFILMING

"I certify that the image contained on this frame was made in the normal and regular course of business on the date stated below and that it is an accurate reproduction of the document submitted to the contractor for filming by Bechtel Power Corporation."

DATE: 11-882
 CAMERA OPERATOR: Coran
 CONTRACTOR SUPERVISOR: Susan

RID'S

8302090041

