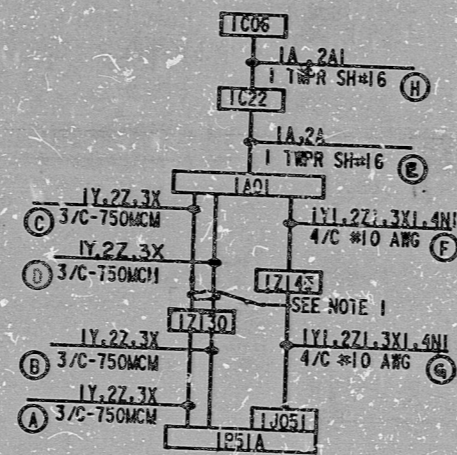


This drawing and the sign it covers are the property of BECHTEL. They are hereby loaned and on the borrower's express agreement that they will not be reproduced, copied, loaned, exhibited, or used except in the limited way and for the limited purpose intended by the lender to the borrower.

1	11/8/82	ISSUED FOR CONSTRUCTION	AM		
2	11/8/82	REVISED SU DESIGN	AM		
3	11/8/82	ISSUED FOR CONSTRUCTION	AM		

EQUIP NO	SCHEME NO	MOTOR HP	COMPUTER T/O	SU		LOCATIONS						
				LOC	DESIG	IA01	IA02	IA03	IA04	IA05	IA06	IA07
1P-51A	1NA0104	9000	1030	1006	1-BBC	1P-51A	IA01	1Z130	1Z145	1J051	1C22	1006
1P-51B	1NA0203	9000	1031		1-BBC	1P-51B	IA02	1Z120	1Z154	1J058	1C22	1006
1P-51C	1NA0204	9000	1032		1-BBC	1P-51C	IA02	1Z110	1Z154	1J065	1C22	1006
1P-51D	1NA0103	9000	1033		1-BBC	1P-51D	IA01	1Z140	1Z145	1J072	1C22	1006
2P-51A	2NA0104	9000	1033		2-BBC	2P-51A	2A01	2Z120	2Z145	2J051	2C22	2006
2P-51B	2NA0203	9000	1031		2-BBC	2P-51B	2A02	2Z120	2Z154	2J058	2C22	2006
2P-51C	2NA0204	9000	1032		2-BBC	2P-51C	2A02	2Z110	2Z154	2J065	2C22	2006
2P-51D	2NA0103	9000	1033		2-BBC	2P-51D	2A01	2Z130	2Z145	2J072	2C22	2006



REACTOR COOLANT PUMP IP-51A
 SCHEME 1NA0104
 SU DESIG-1-BBC

NOTE:
 1. DO NOT TERMINATE CABLES AT CTS. ROUTE CABLES THRU CTS UP TO PENETRATION TERMINATIONS.

BECHTEL ANN ARBOR, MICHIGAN		
MIDLAND PLANT UNITS 1 & 2 CONSUMERS POWER COMPANY		
SCHEMATIC DIAGRAM REACTOR COOLANT PUMPS		
Dwg No. 7220	DRAWING No. E-214 SH 2	REV. 2

16X

I certify that the image contained on this frame was made in the normal and regular course of business, on the date stated below and that it is an accurate reproduction of the document submitted to the contractor for filming, by Bechtel Power Corporation.
 DATE: 11/12/82
 CAMERA OPERATOR: [Signature]
 CONTRACTOR'S SUPERVISOR OR MANAGER: [Signature]

PRC
 APERTURE
 CARD

RIDS

8302070058

