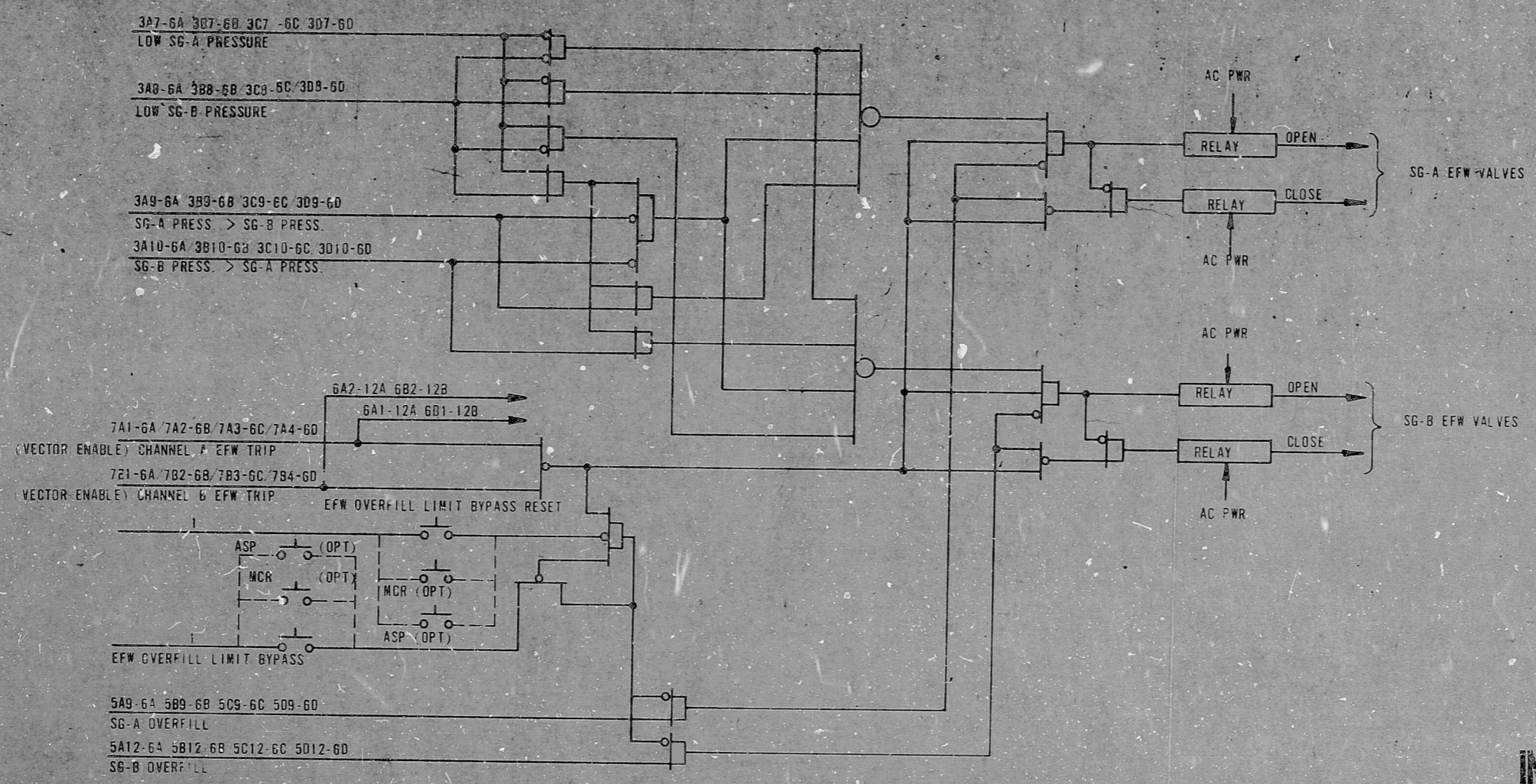


1122970C

REVISIONS				
NO.	DESCRIPTION	DATE	APPROVAL	BY



INFORMATION ONLY

TERA
APERTURE
CARD

Figure 3.4-6

DWN BY <i>Fultz</i>	EFIC LOGIC 6 VECTOR LOGIC	<small>THIS DRAWING IS THE PROPERTY OF THE BABCOCK & WILCOX CO. POWER GENERATION GROUP AND IS LOANED UPON CONDITION THAT IT IS NOT TO BE REPRODUCED OR COPIED IN WHOLE OR IN PART, OR USED FOR FURNISHING INFORMATION TO OTHERS, OR FOR ANY OTHER PURPOSE DETRIMENTAL TO THE INTEREST OF THE BABCOCK & WILCOX COMPANY AND WILL BE RETURNED UPON REQUEST.</small>
CHKD BY <i>TAM</i>		
PASSED BY <i>[Signature]</i>		
APPVD BY <i>[Signature]</i>		
STD SPL DATE <i>2-20-81</i>		
DO NOT SCALE - USE DIMENSIONS ONLY	SCALE	DWG. NO. 1122970C REV 0

8108170431

RIDS

8108170431

