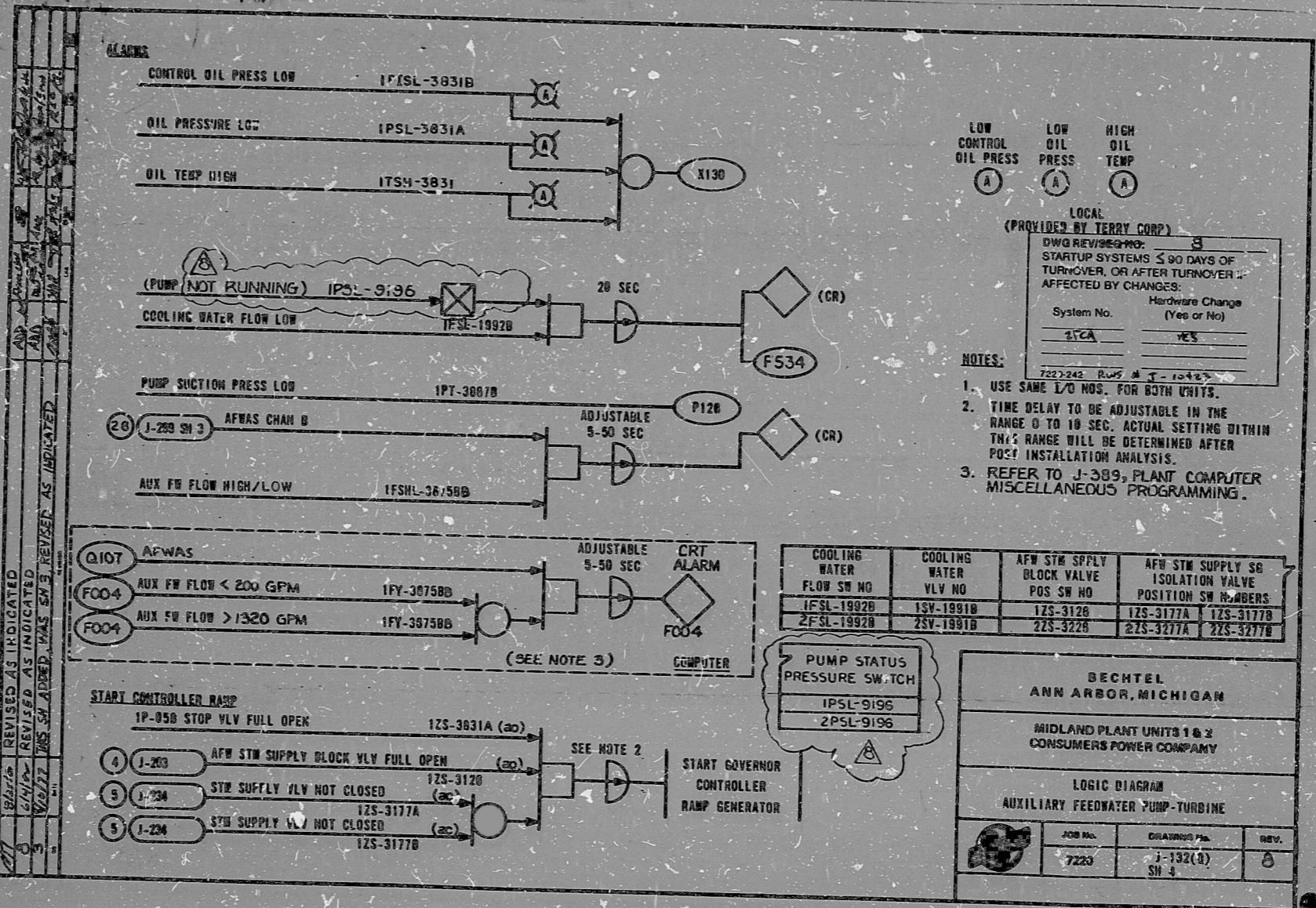


I certify that the image contained on this film was made in the normal and regular course of business, on the date stated below and that it is an accurate reproduction of the document submitted to the contractor for filing, by Bechtel Power Corporation.

6-8-82 C. Claxton  
 DATE CAMERA OPERATOR CONTRACTOR'S SUPERVISOR OR MANAGER

**16X**

This drawing and the design it covers are the property of BECHTEL. They are hereby loaned and on the borrower's express agreement that they will not be reproduced, copied, loaned, exhibited, or used except in the limited way and purpose as permitted by any written consent given by the lender to the borrower.



LOW CONTROL OIL PRESS (A)  
 LOW OIL PRESS (A)  
 HIGH OIL TEMP (A)

LOCAL (PROVIDED BY TERRY CORP.)  
 DWG REVISED FOR STARTUP SYSTEMS ≤ 90 DAYS OF TURN-OVER, OR AFTER TURN-OVER AFFECTED BY CHANGES:  
 Hardware Change (Yes or No)  
 System No. 1-CA YES

- NOTES:**
- USE SAME L/O NOS. FOR BOTH UNITS.
  - TIME DELAY TO BE ADJUSTABLE IN THE RANGE 0 TO 10 SEC. ACTUAL SETTING WITHIN THIS RANGE WILL BE DETERMINED AFTER POST INSTALLATION ANALYSIS.
  - REFER TO J-389, PLANT COMPUTER MISCELLANEOUS PROGRAMMING.

BECHTEL  
 ANN ARBOR, MICHIGAN  
 MIDLAND PLANT UNITS 1 & 2  
 CONSUMERS POWER COMPANY  
 LOGIC DIAGRAM  
 AUXILIARY FEEDWATER PUMP-TURBINE

PRC  
 APERTURE  
 CARD

RIDS

8302049211

