

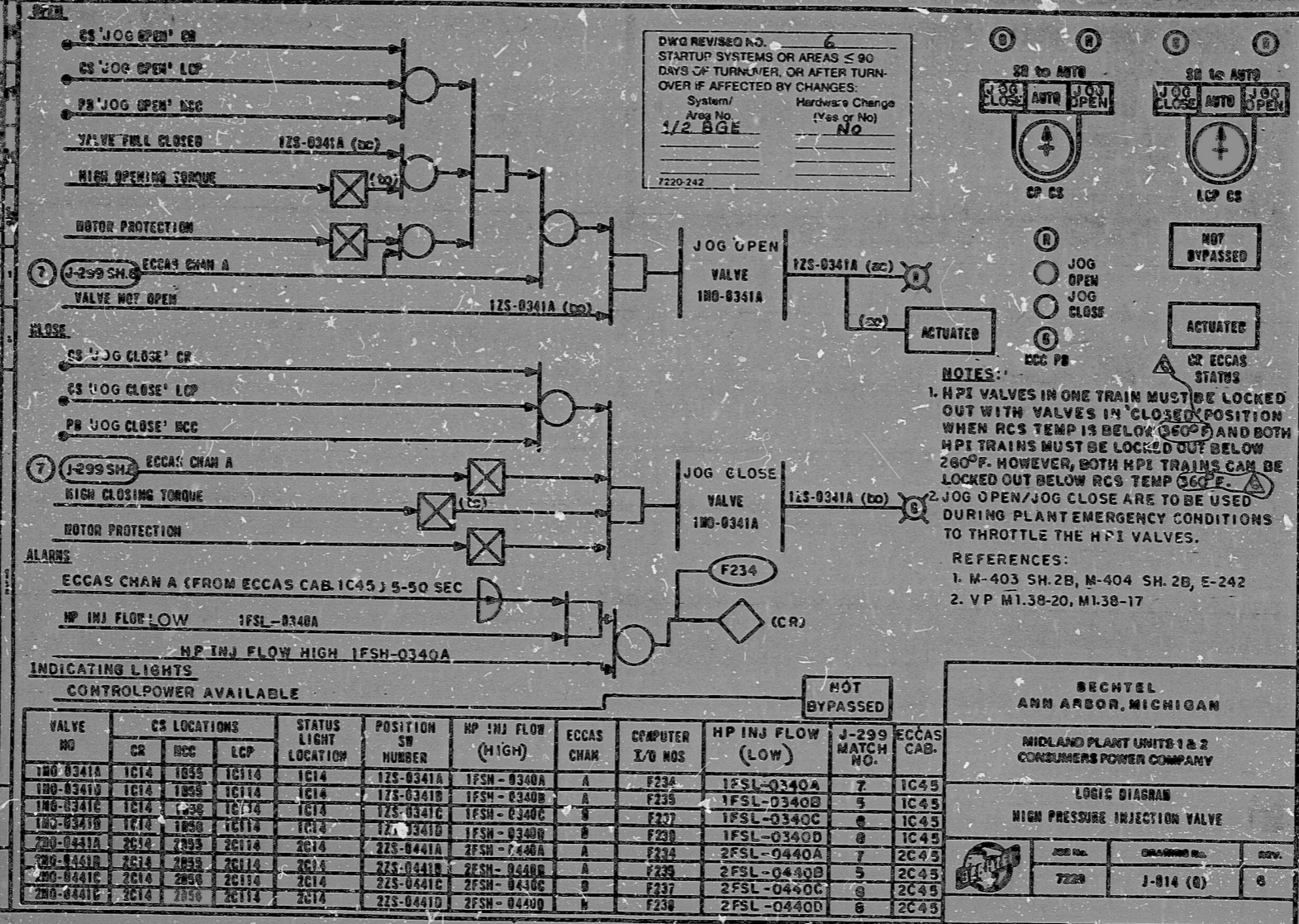
we certify that the image contained on this frame was made in the normal and regular course of its business, on the date stated hereon, and that the same is an accurate reproduction of the original as submitted for filing, by Technical Power Corporation.

DATE: 1-11-82
 CAMERA OPERATOR: [Signature]
 CONTRACTOR'S SUPERVISOR: [Signature]

16X

This drawing and the design it contains are the property of BECHTEL. They are hereby loaned and on the borrower's return agreement they may not be reproduced, copied, loaned, exhibited, or used without the written consent of BECHTEL.

REVISED AS INDICATED
 ISSUED FOR CONSTRUCTION



PRC APERTURE CARD

